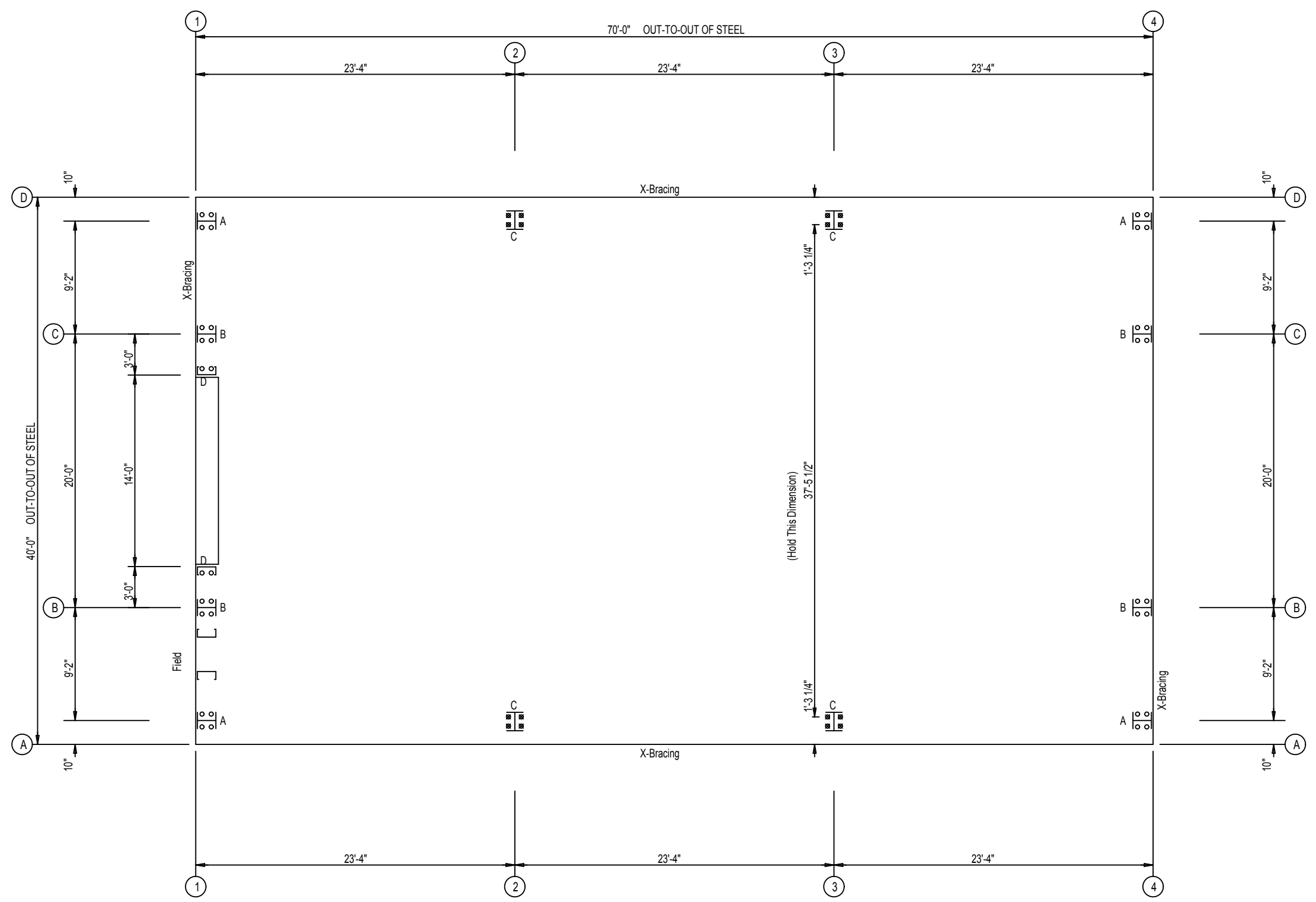


246391597

Building Layout

10/22/20

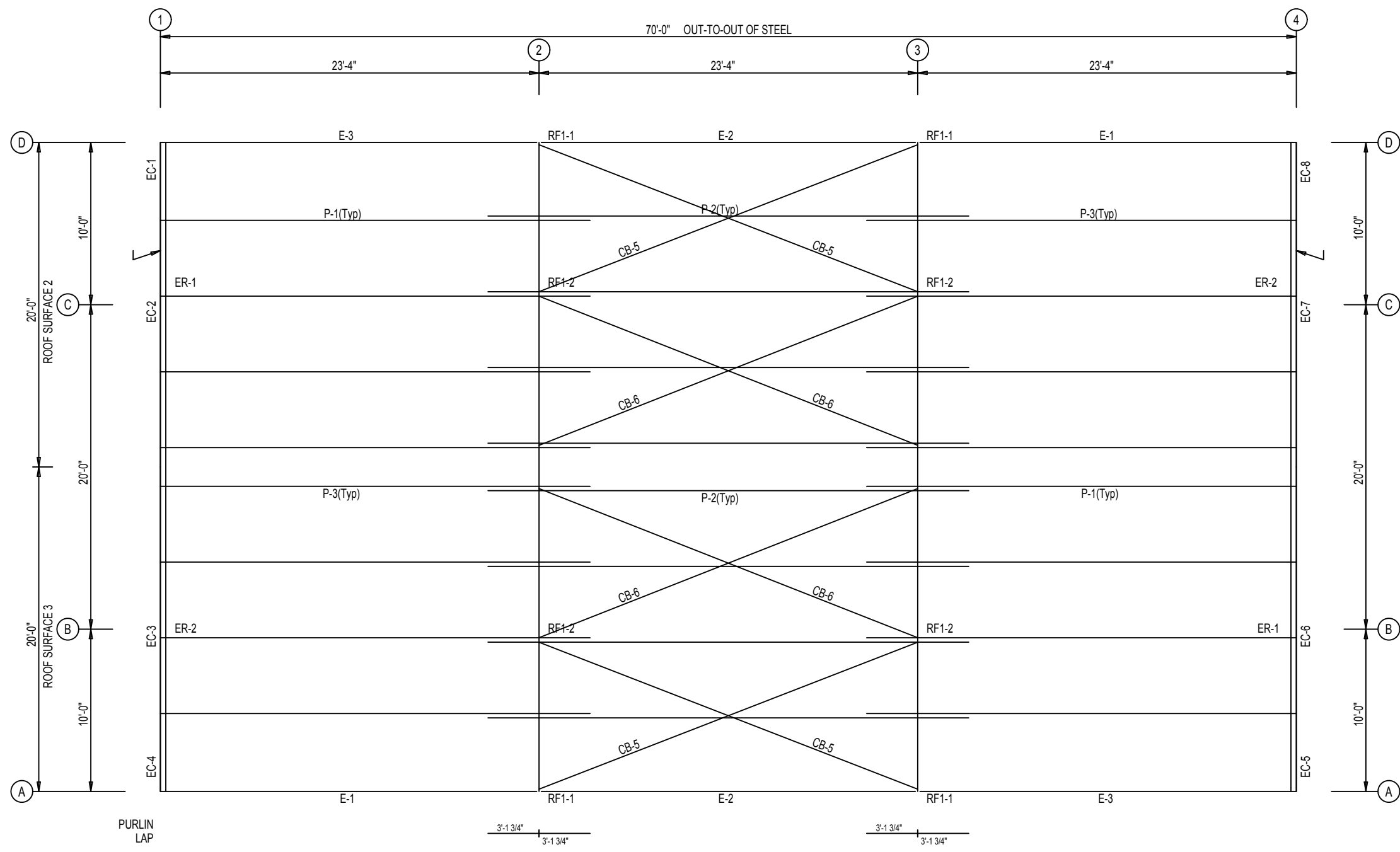
**NOT FOR CONSTRUCTION**



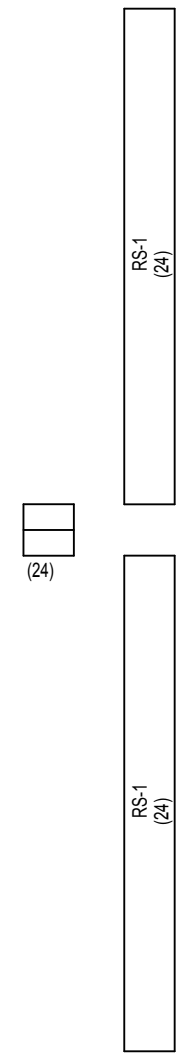
○ Dia= 5/8"  
 ⊗ Dia= 3/4"

ANCHOR BOLT PLAN

**NOT FOR CONSTRUCTION**

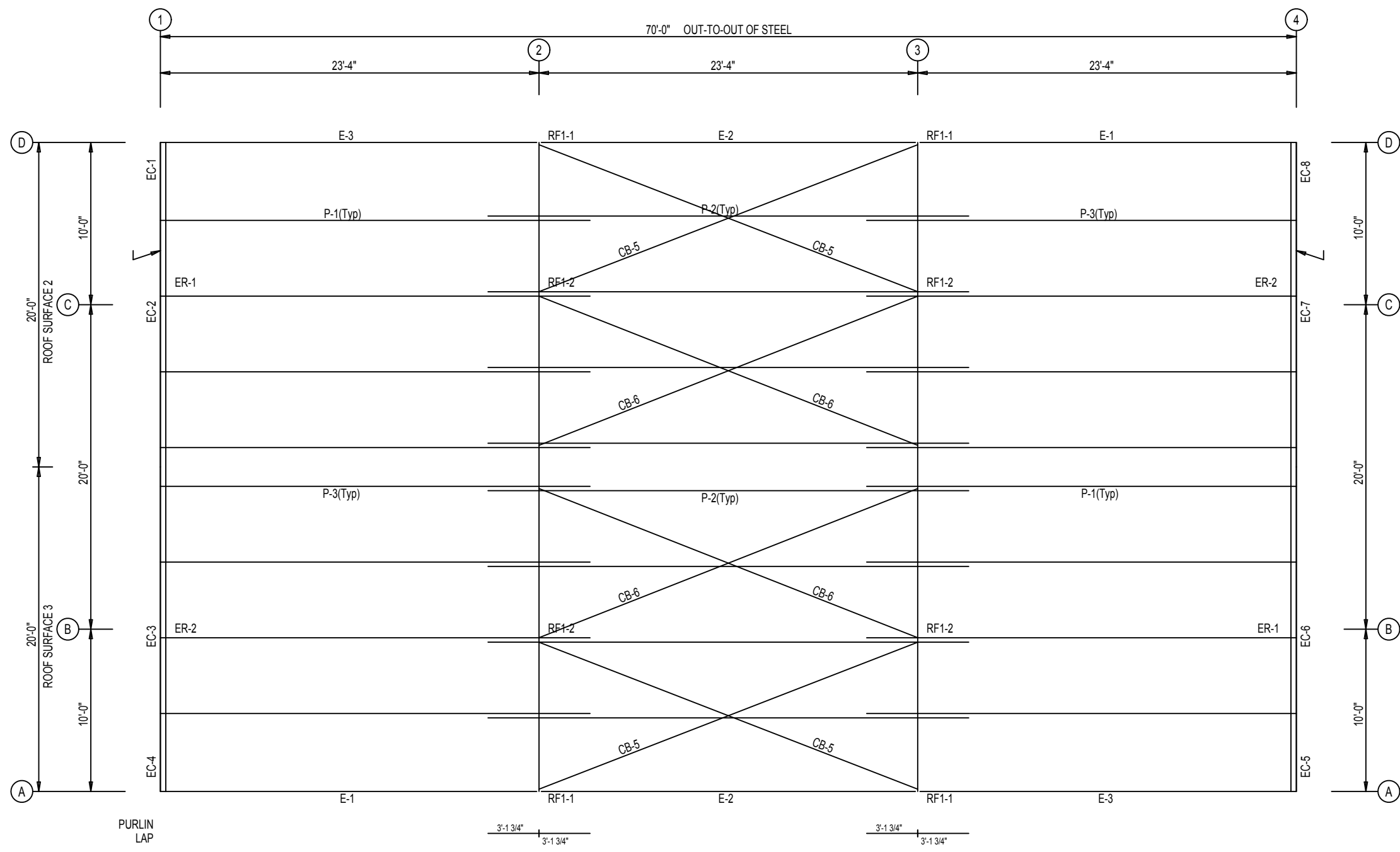


ROOF FRAMING PLAN

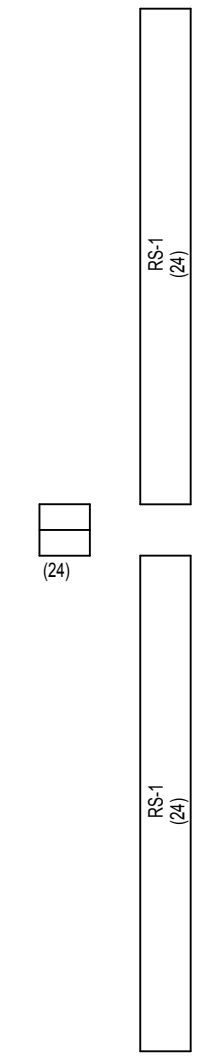


ROOF SHEETING  
 PANELS: 26 Gauge PBR Galvalume

**NOT FOR CONSTRUCTION**



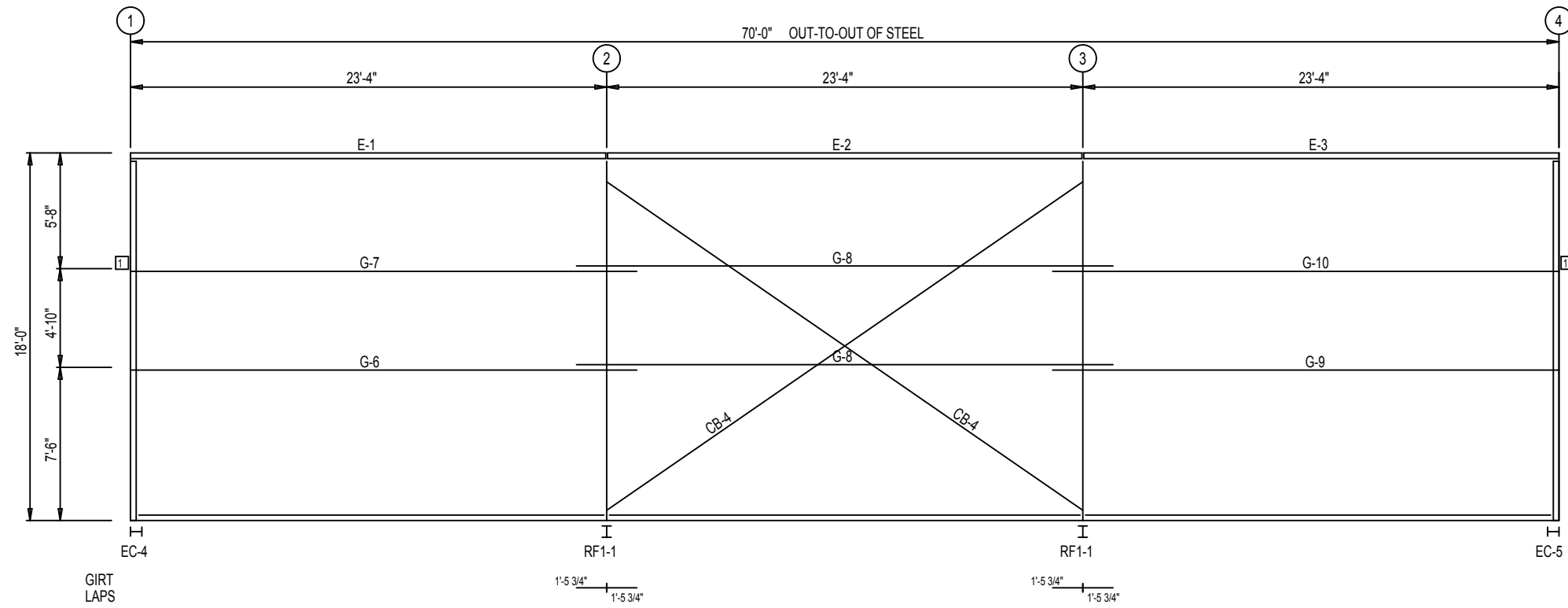
ROOF FRAMING PLAN



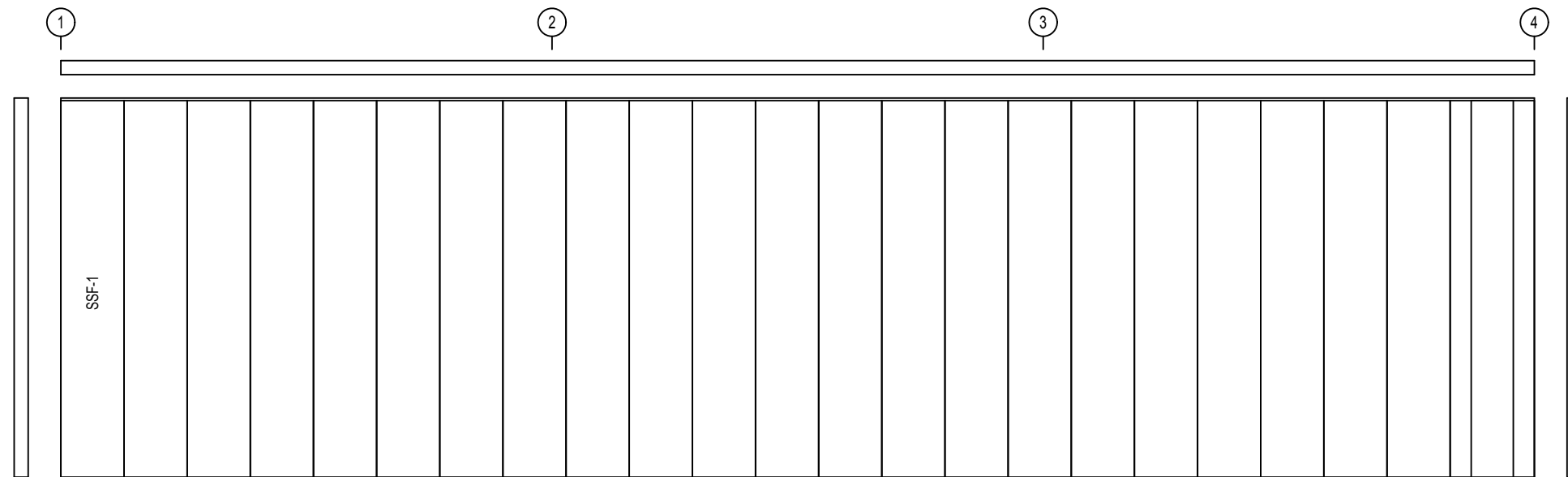
ROOF SHEETING  
 PANELS: 26 Gauge PBR Galvalume

**NOT FOR CONSTRUCTION**

CONNECTION PLATES	
FRAME LINE A	
ID	MARK/PART
1	SC-5



SIDEWALL FRAMING: FRAME LINE A

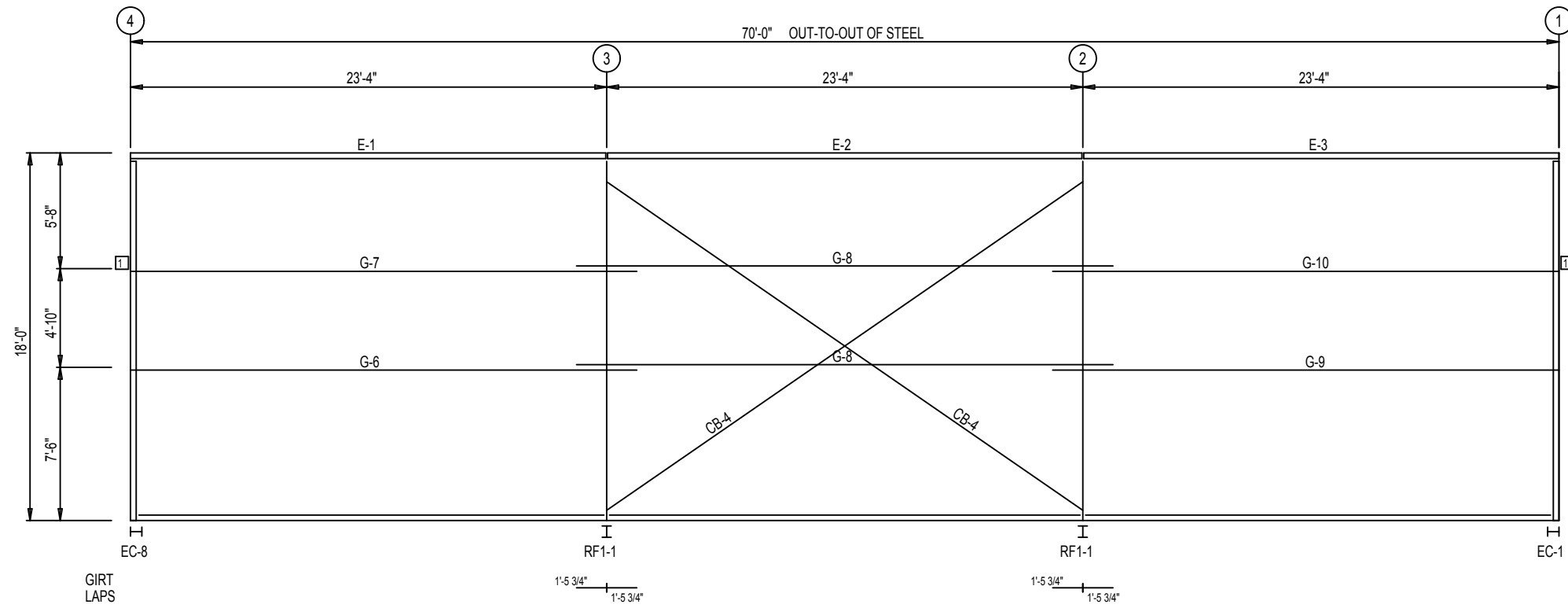


SIDEWALL SHEETING & TRIM: FRAME LINE A

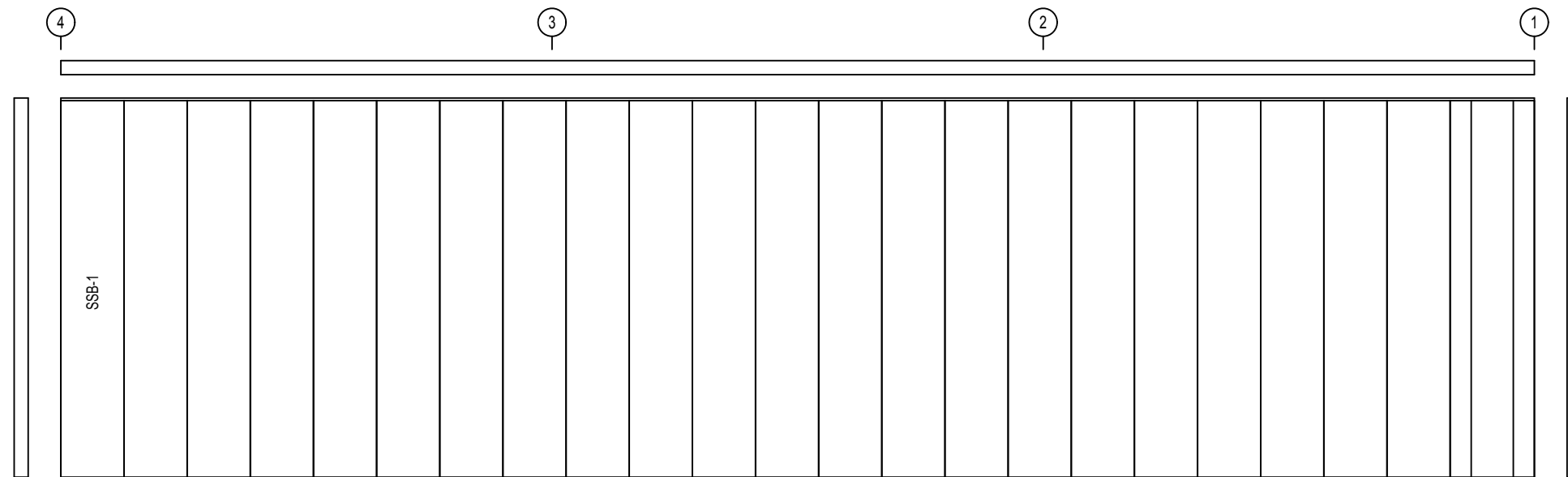
PANELS: 26 Gauge PBR - Polar White

**NOT FOR CONSTRUCTION**

CONNECTION PLATES	
FRAME LINE D	
ID	MARK/PART
1	SC-5



SIDEWALL FRAMING: FRAME LINE D



SIDEWALL SHEETING & TRIM: FRAME LINE D

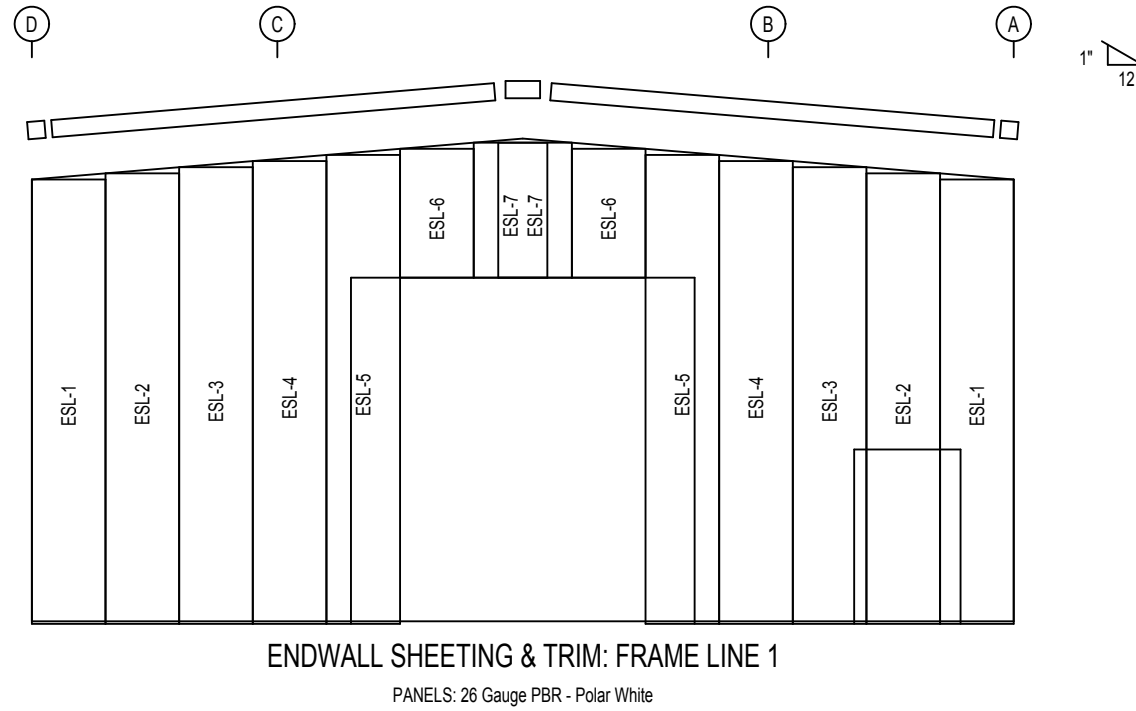
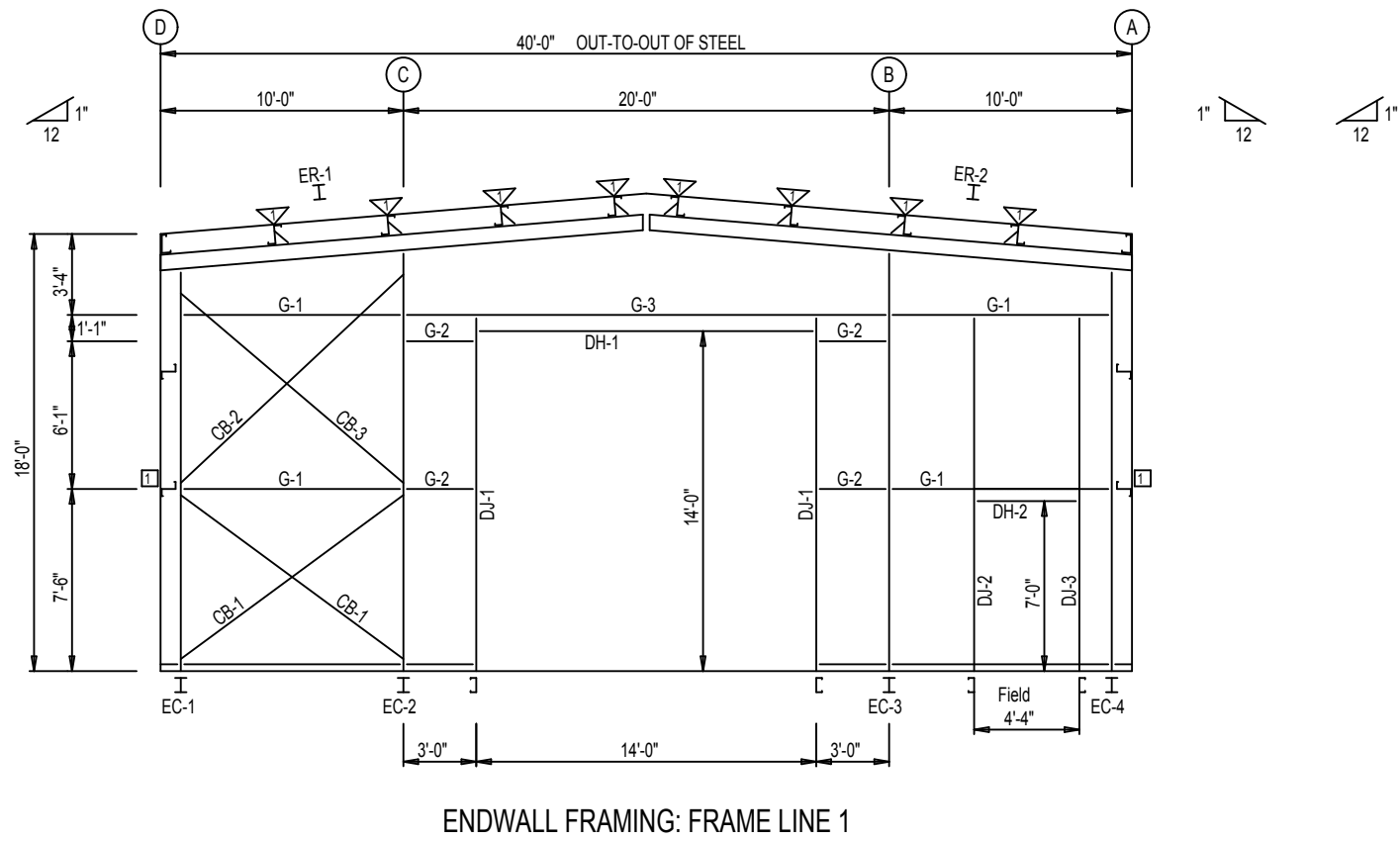
PANELS: 26 Gauge PBR - Polar White

**NOT FOR CONSTRUCTION**

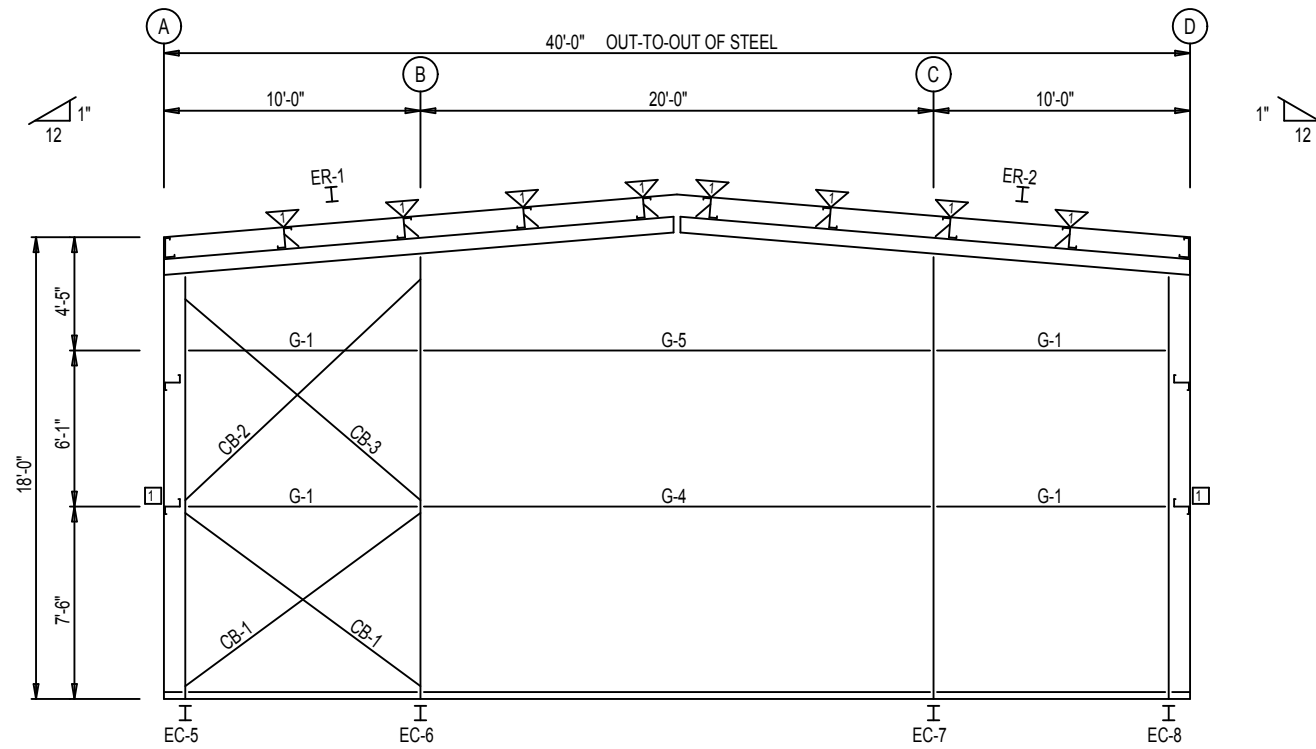
BOLT TABLE				
FRAME LINE 1				
LOCATION	QUAN	TYPE	DIA	LENGTH
ER-1/ER-2	8	A325	5/8"	2"
Columns/Raf	4	A325	1/2"	1 1/4"

FLANGE BRACE TABLE		
FRAME LINE 1		
▽ ID	PART	LENGTH
FB29.5	L2X2X14G	2'-5 1/2"

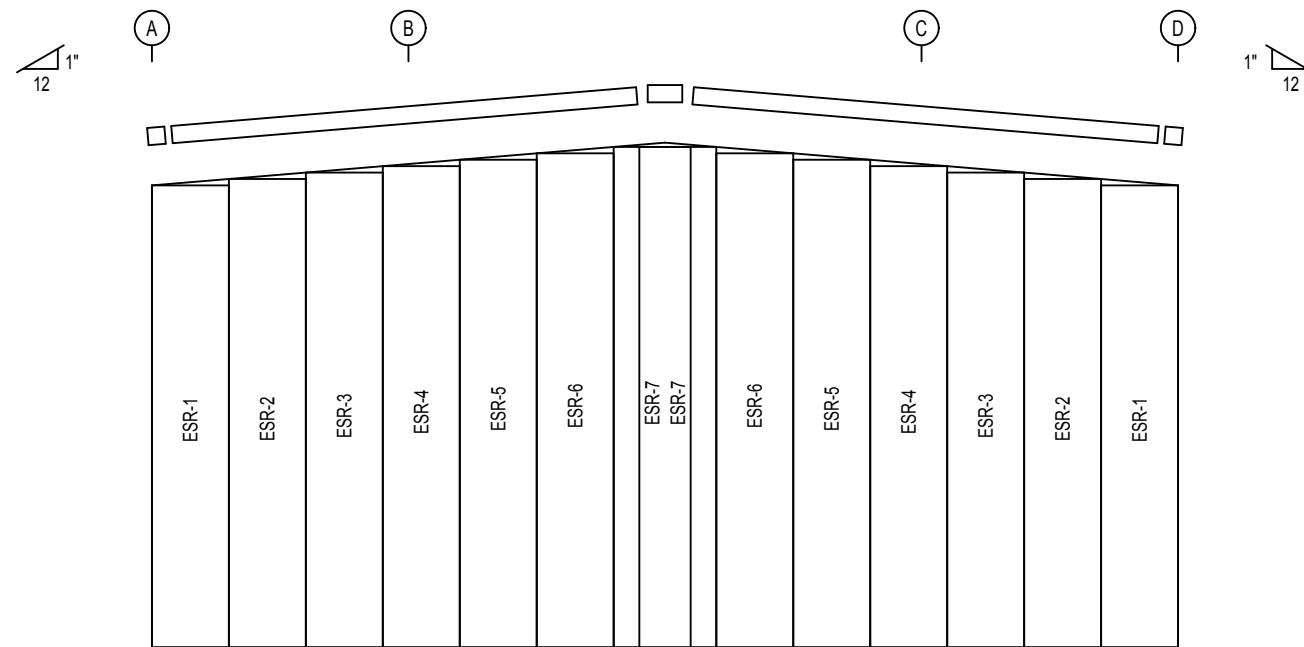
CONNECTION PLATES	
FRAME LINE 1	
□ ID	MARK/PART
1	SC-5



NOT FOR CONSTRUCTION



ENDWALL FRAMING: FRAME LINE 4



ENDWALL SHEETING & TRIM: FRAME LINE 4

PANELS: 26 Gauge PBR - Polar White

BOLT TABLE				
FRAME LINE 4				
LOCATION	QUAN	TYPE	DIA	LENGTH
ER-1/ER-2	8	A325	5/8"	2"
Columns/Raf	4	A325	1/2"	1 1/4"

FLANGE BRACE TABLE		
FRAME LINE 4		
▽ ID	PART	LENGTH
FB29.5	L2X2X14G	2'-5 1/2"

CONNECTION PLATES	
FRAME LINE 4	
□ ID	MARK/PART
1	SC-5

**NOT FOR CONSTRUCTION**