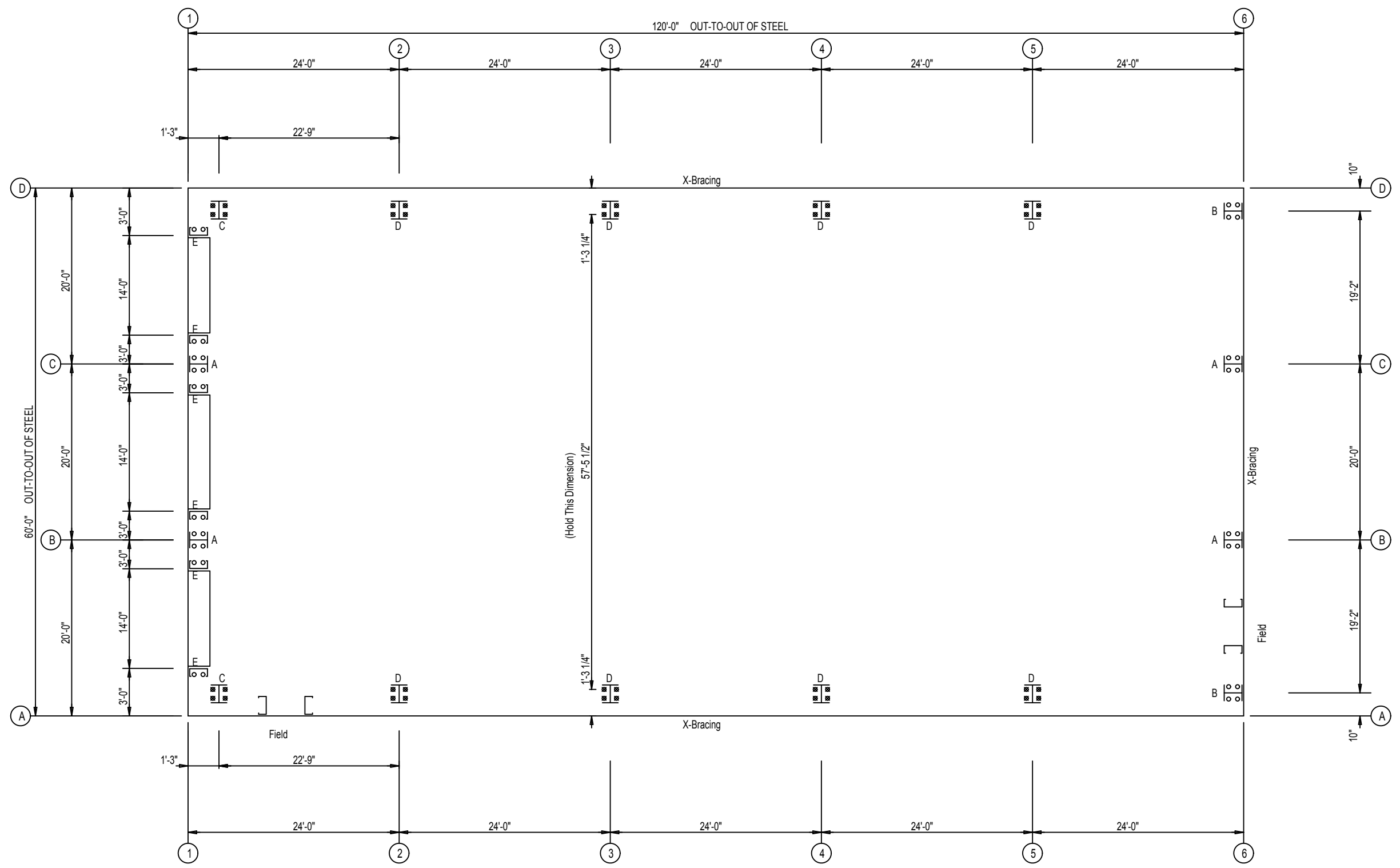


245278609

Building Layout

10/9/20

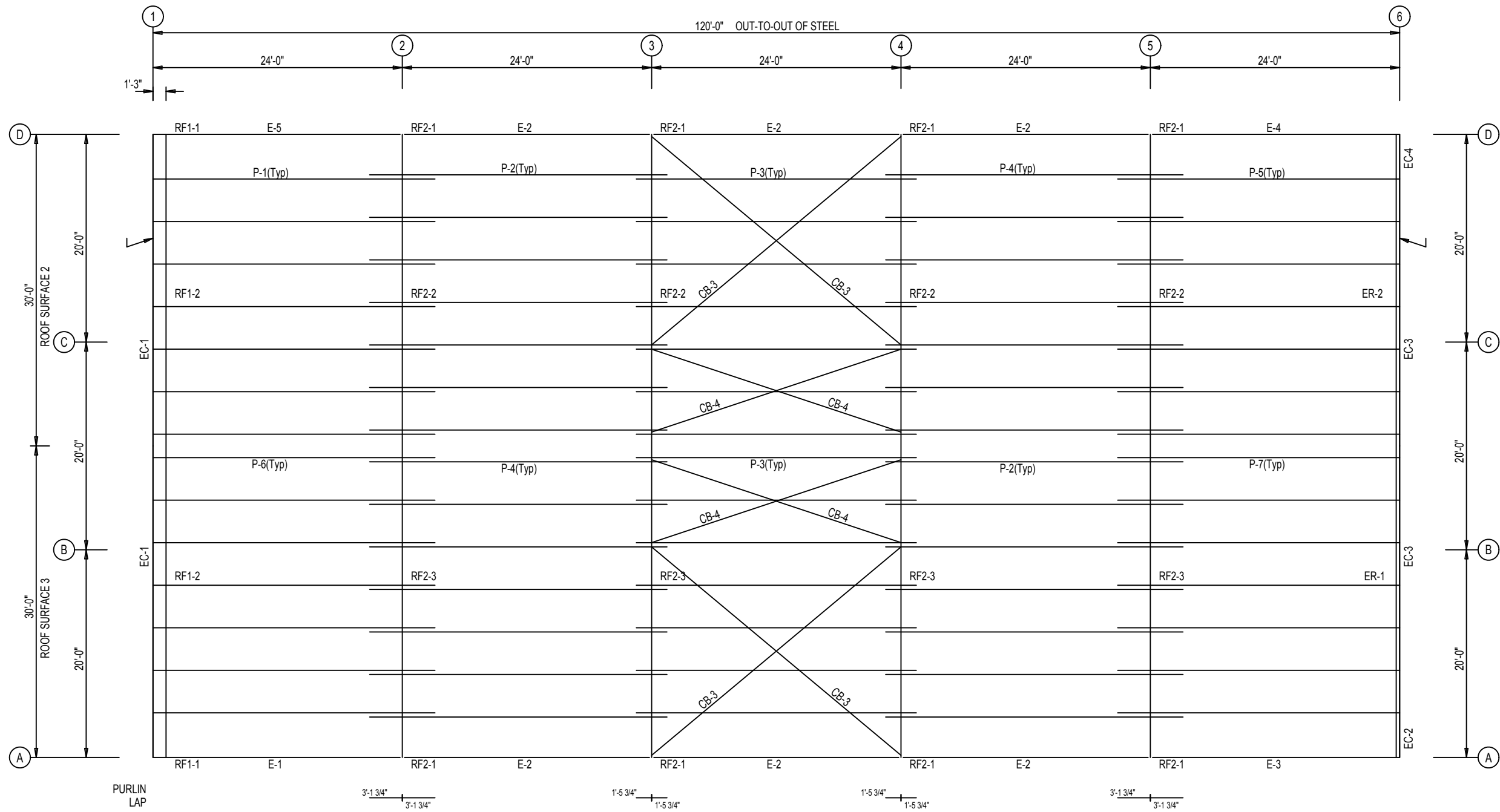
**NOT FOR CONSTRUCTION**



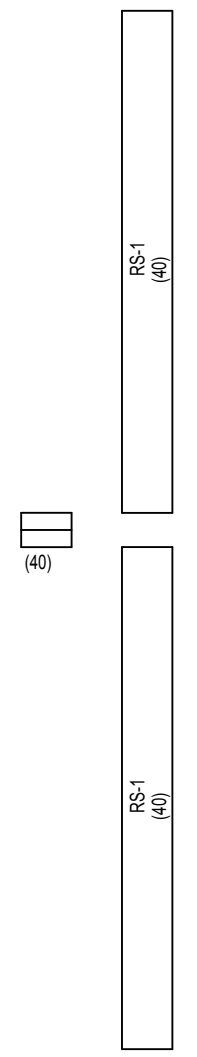
○ Dia= 5/8"  
 ⊠ Dia= 3/4"

ANCHOR BOLT PLAN

**NOT FOR CONSTRUCTION**

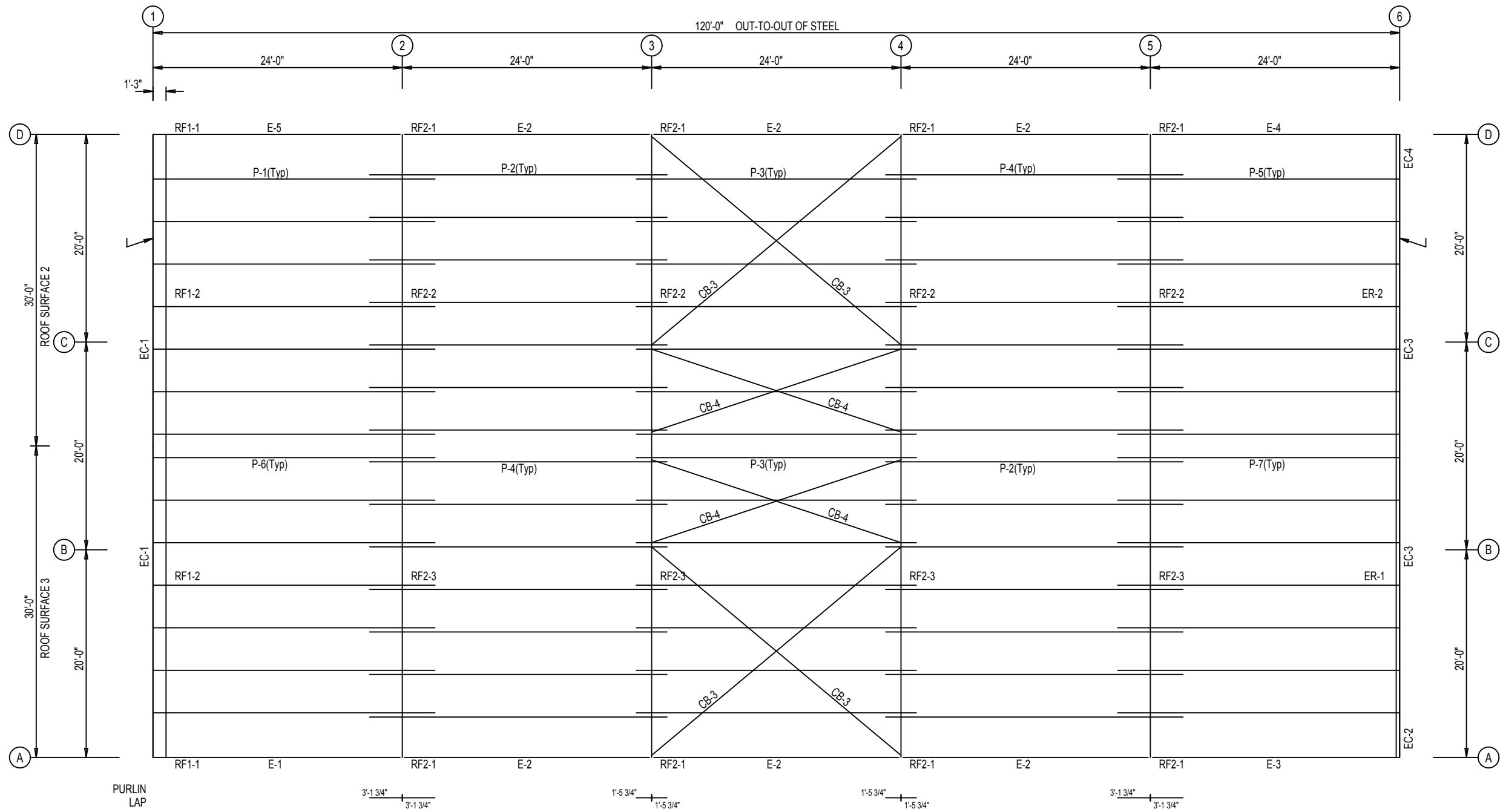


ROOF FRAMING PLAN



ROOF SHEETING  
 PANELS: 26 Gauge PBR Galvalume

**NOT FOR CONSTRUCTION**

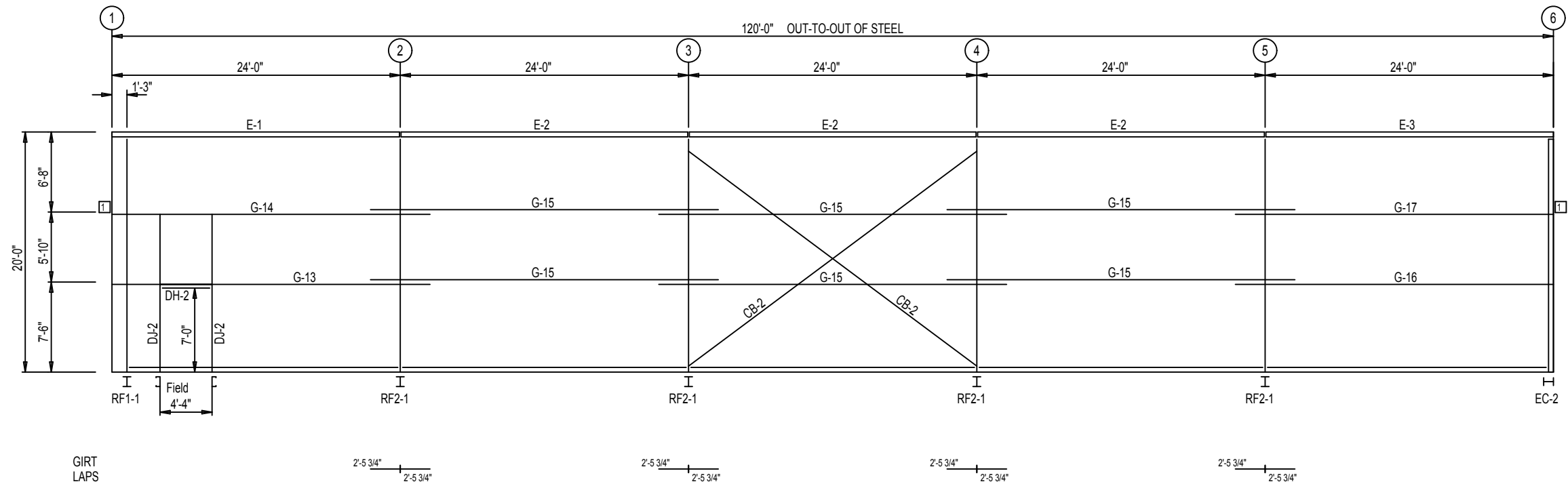


ROOF FRAMING PLAN

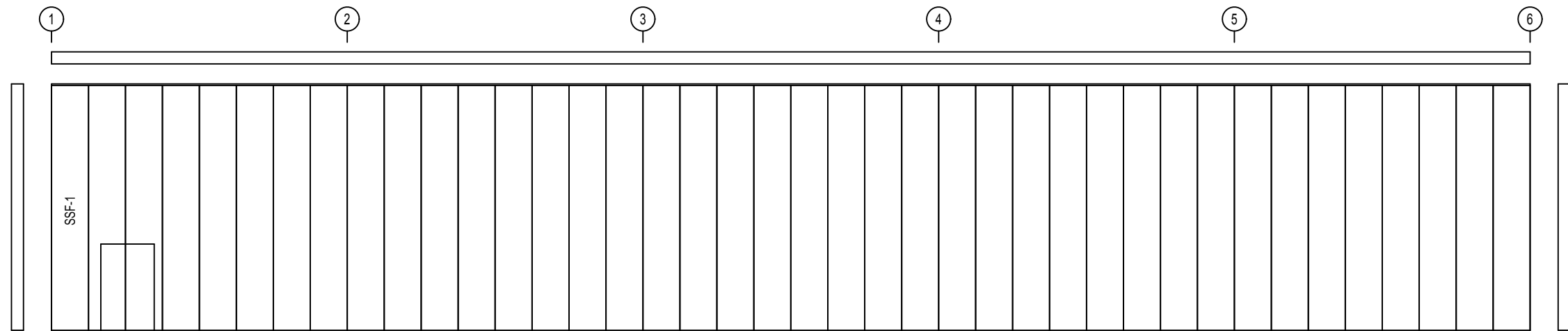
ROOF SHEETING  
 PANELS: 26 Gauge PBR  
 Galvalume

**NOT FOR CONSTRUCTION**

CONNECTION PLATES	
FRAME LINE A	
ID	MARK/PART
1	SC-5



SIDEWALL FRAMING: FRAME LINE A

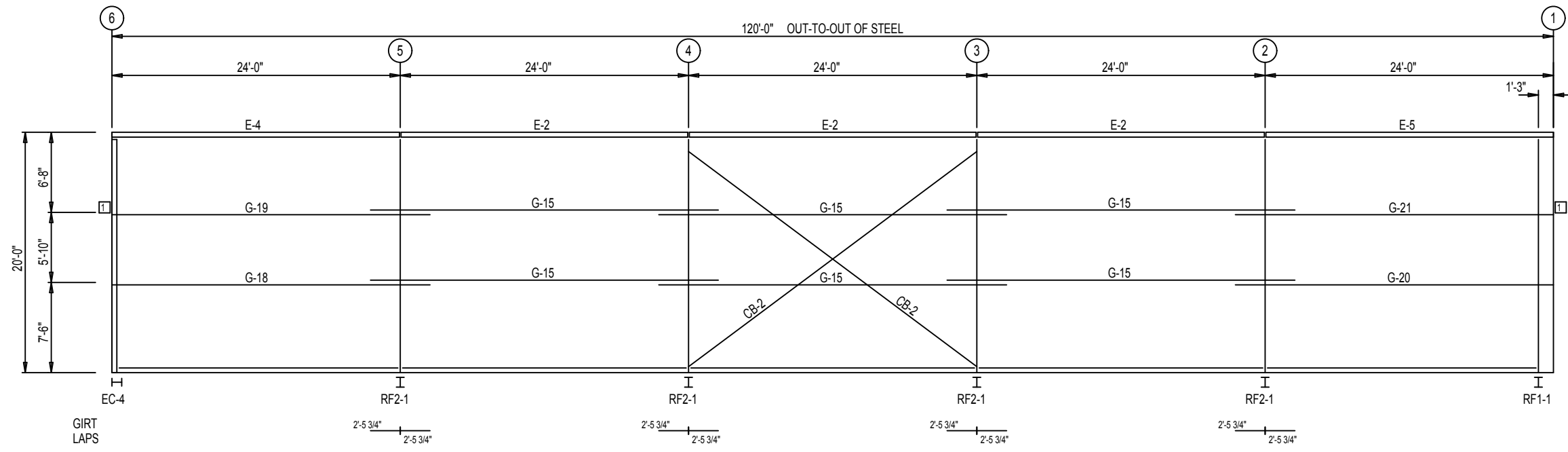


SIDEWALL SHEETING & TRIM: FRAME LINE A

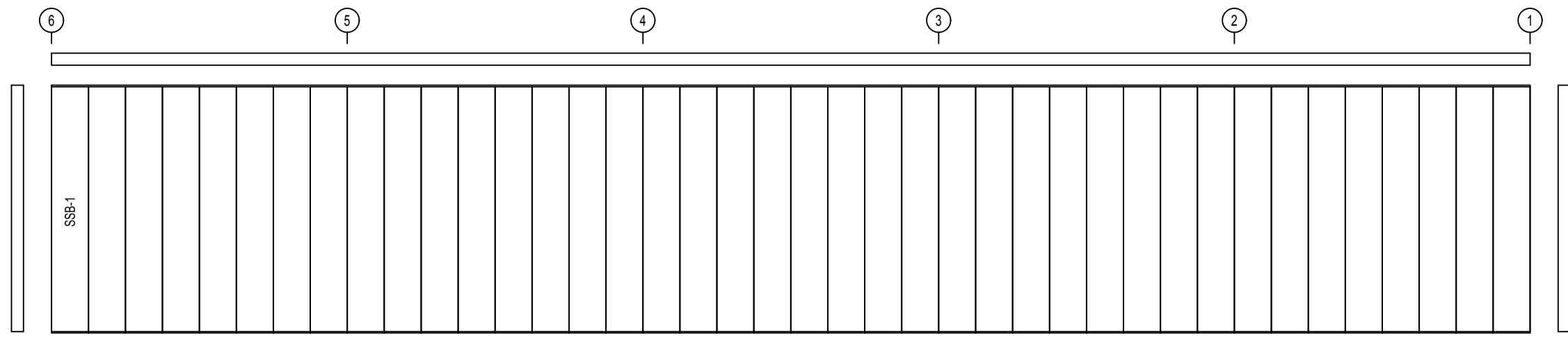
PANELS: 26 Gauge PBR - Polar White

**NOT FOR CONSTRUCTION**

CONNECTION PLATES	
FRAME LINE D	
ID	MARK/PART
1	SC-5



SIDEWALL FRAMING: FRAME LINE D



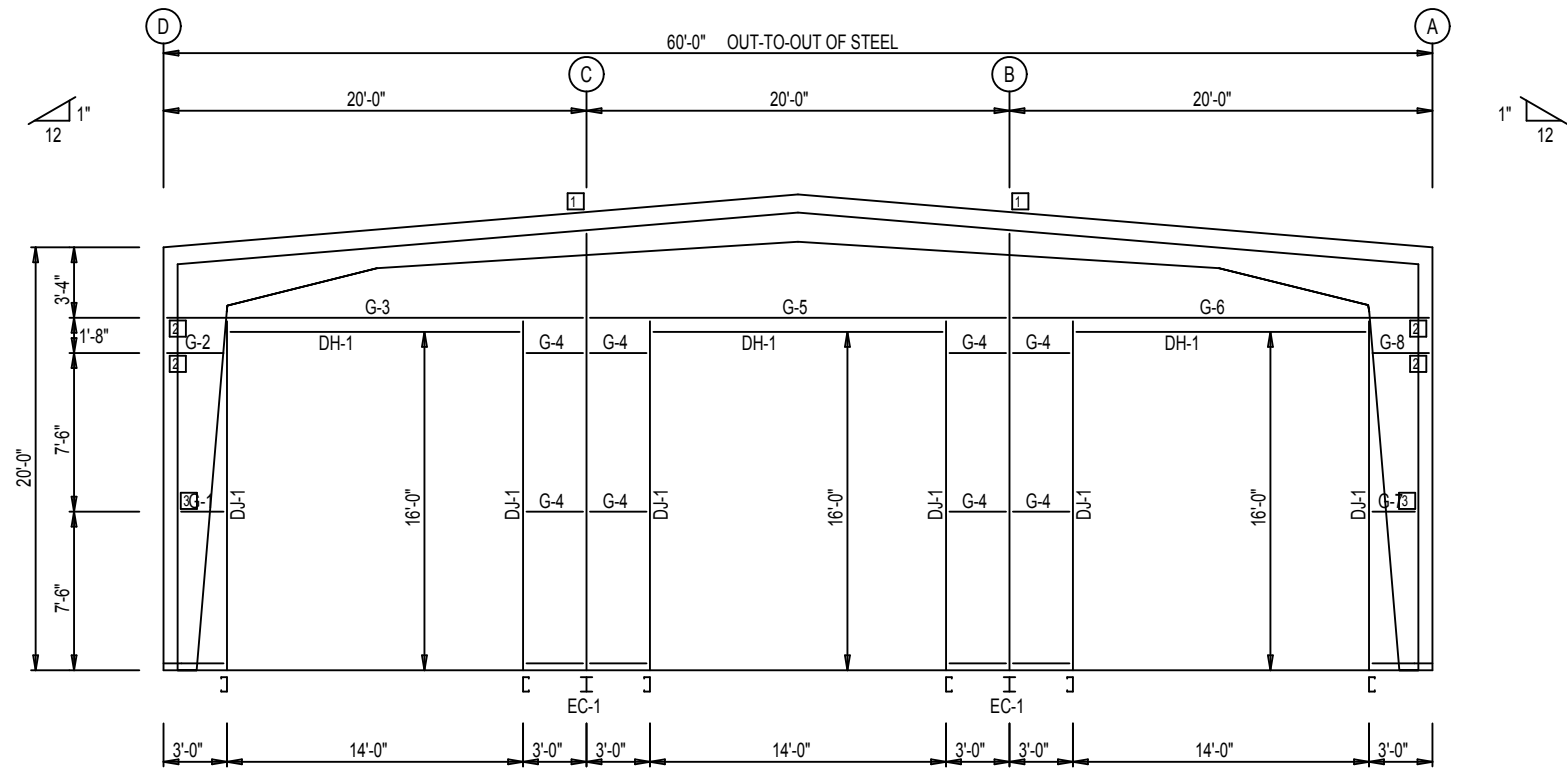
SIDEWALL SHEETING & TRIM: FRAME LINE D

PANELS: 26 Gauge PBR - Polar White

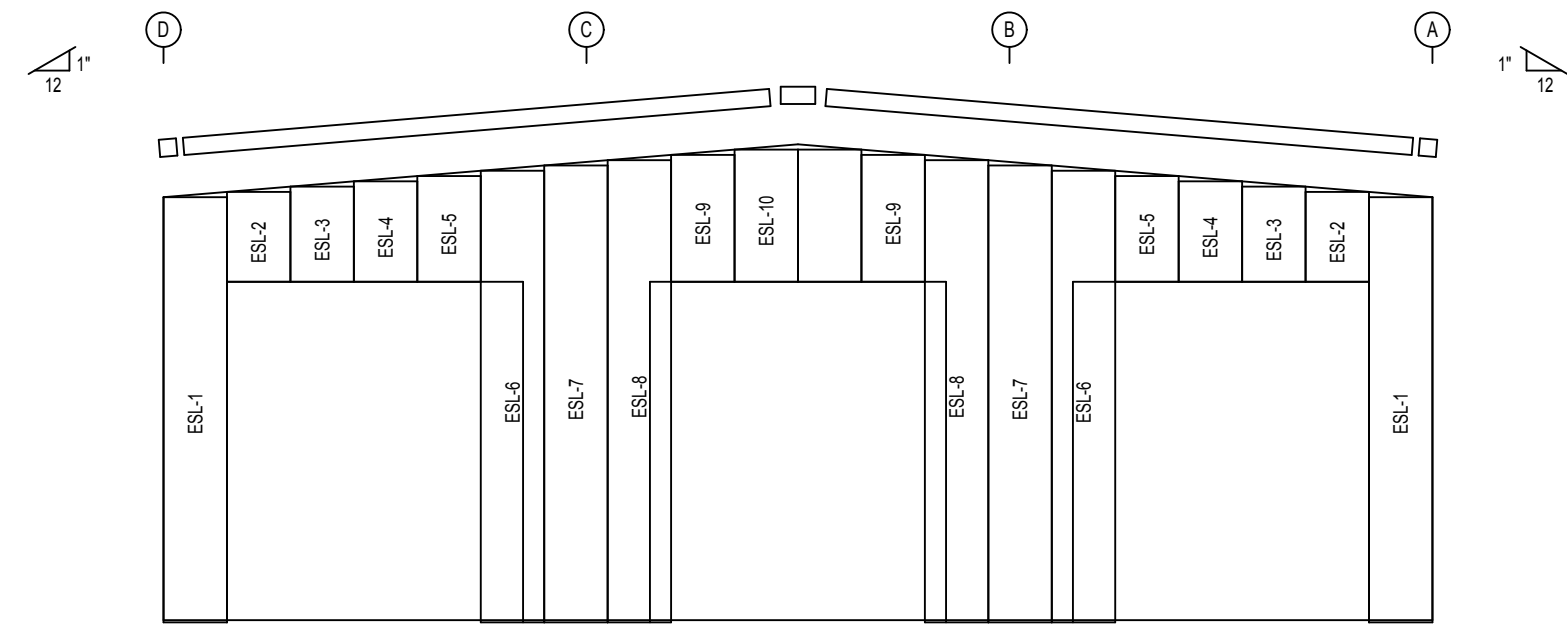
**NOT FOR CONSTRUCTION**

BOLT TABLE				
FRAME LINE 1				
LOCATION	QUAN	TYPE	DIA	LENGTH
Columns/Raf	8	A325	1/2"	1 1/4"

CONNECTION PLATES	
FRAME LINE 1	
ID	MARK/PART
1	RFCC1
2	d1
3	SC-484



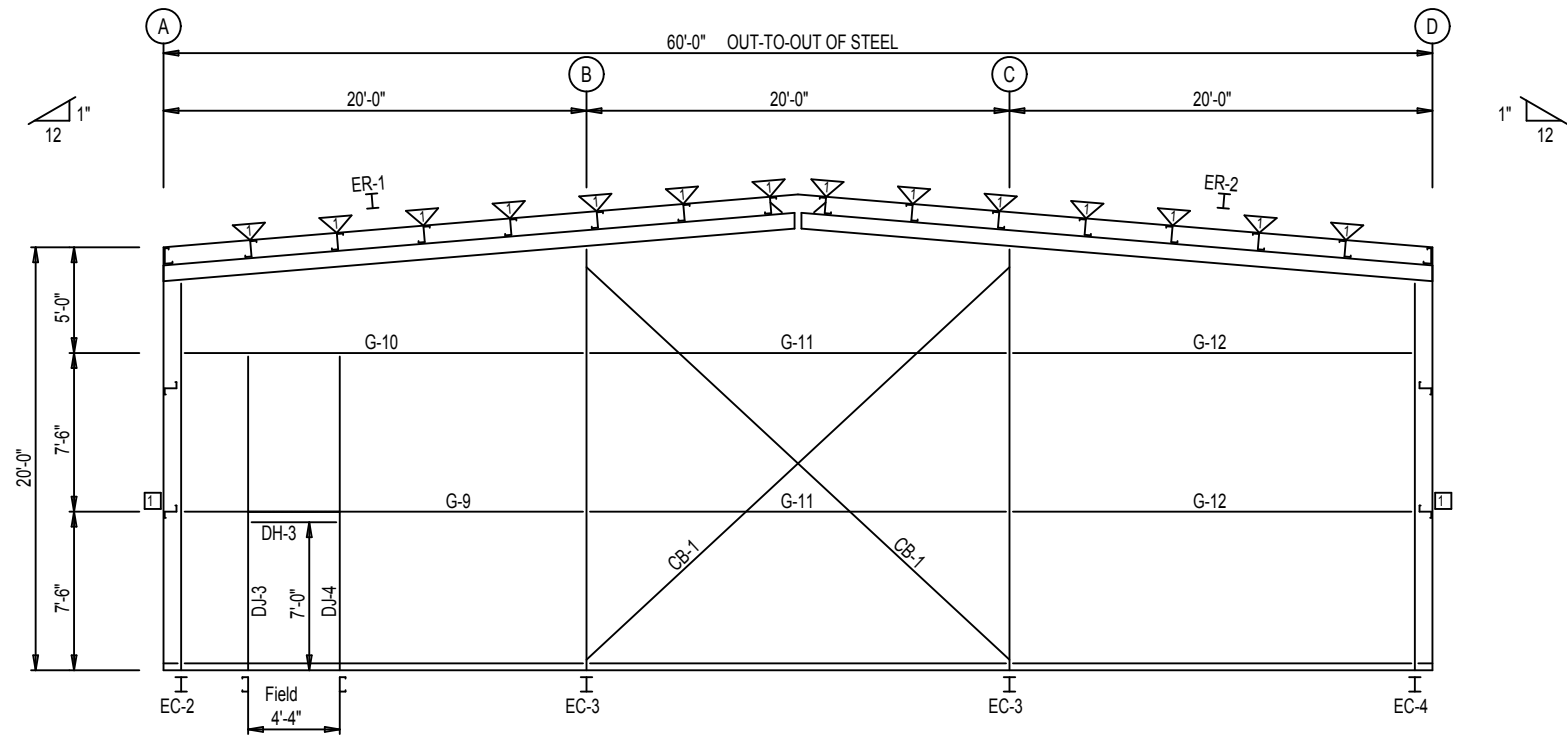
ENDWALL FRAMING: FRAME LINE 1



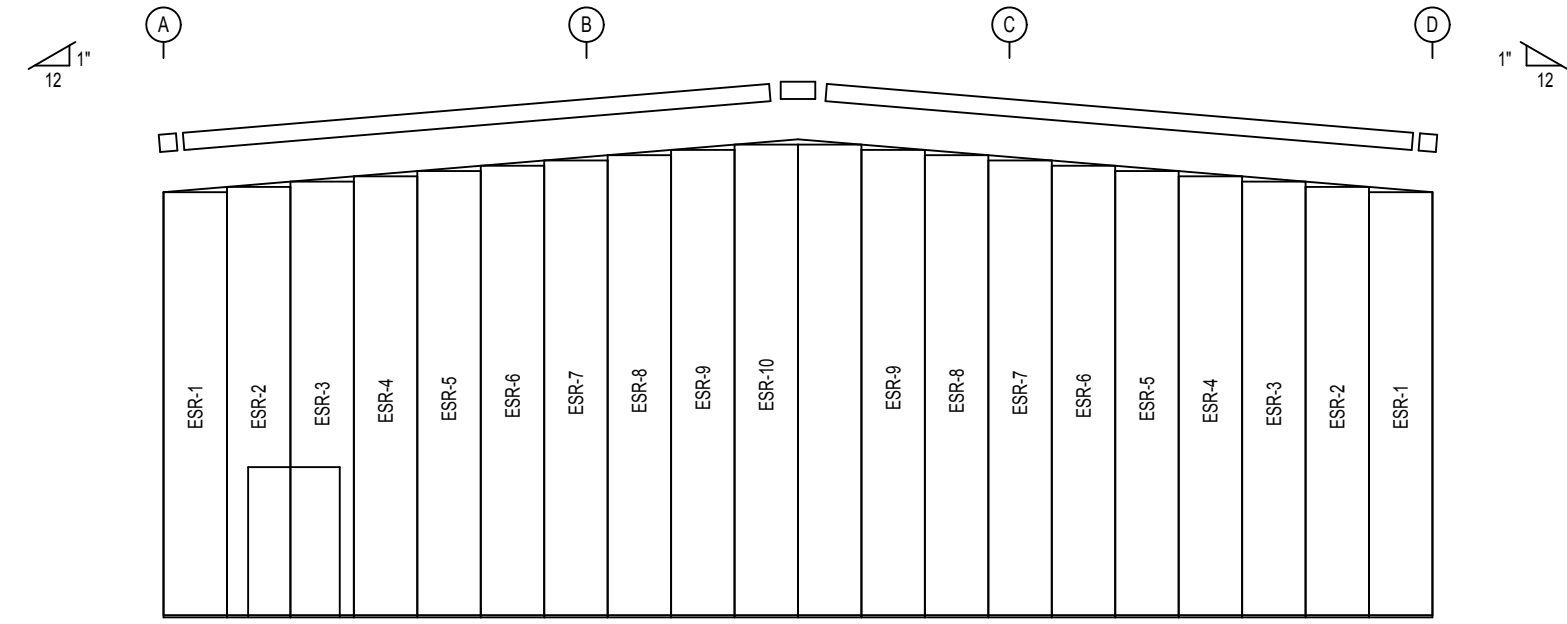
ENDWALL SHEETING & TRIM: FRAME LINE 1

PANELS: 26 Gauge PBR - Polar White

**NOT FOR CONSTRUCTION**



ENDWALL FRAMING: FRAME LINE 6



ENDWALL SHEETING & TRIM: FRAME LINE 6  
 PANELS: 26 Gauge PBR - Polar White

BOLT TABLE				
FRAME LINE 6				
LOCATION	QUAN	TYPE	DIA	LENGTH
ER-1/ER-2	8	A325	5/8"	1 3/4"
Columns/Raf	4	A325	1/2"	1 1/4"

FLANGE BRACE TABLE		
FRAME LINE 6		
▽ ID	PART	LENGTH
FB29.5	L2X2X14G	2'-5 1/2"

CONNECTION PLATES	
FRAME LINE 6	
□ ID	MARK/PART
1	SC-5

**NOT FOR CONSTRUCTION**