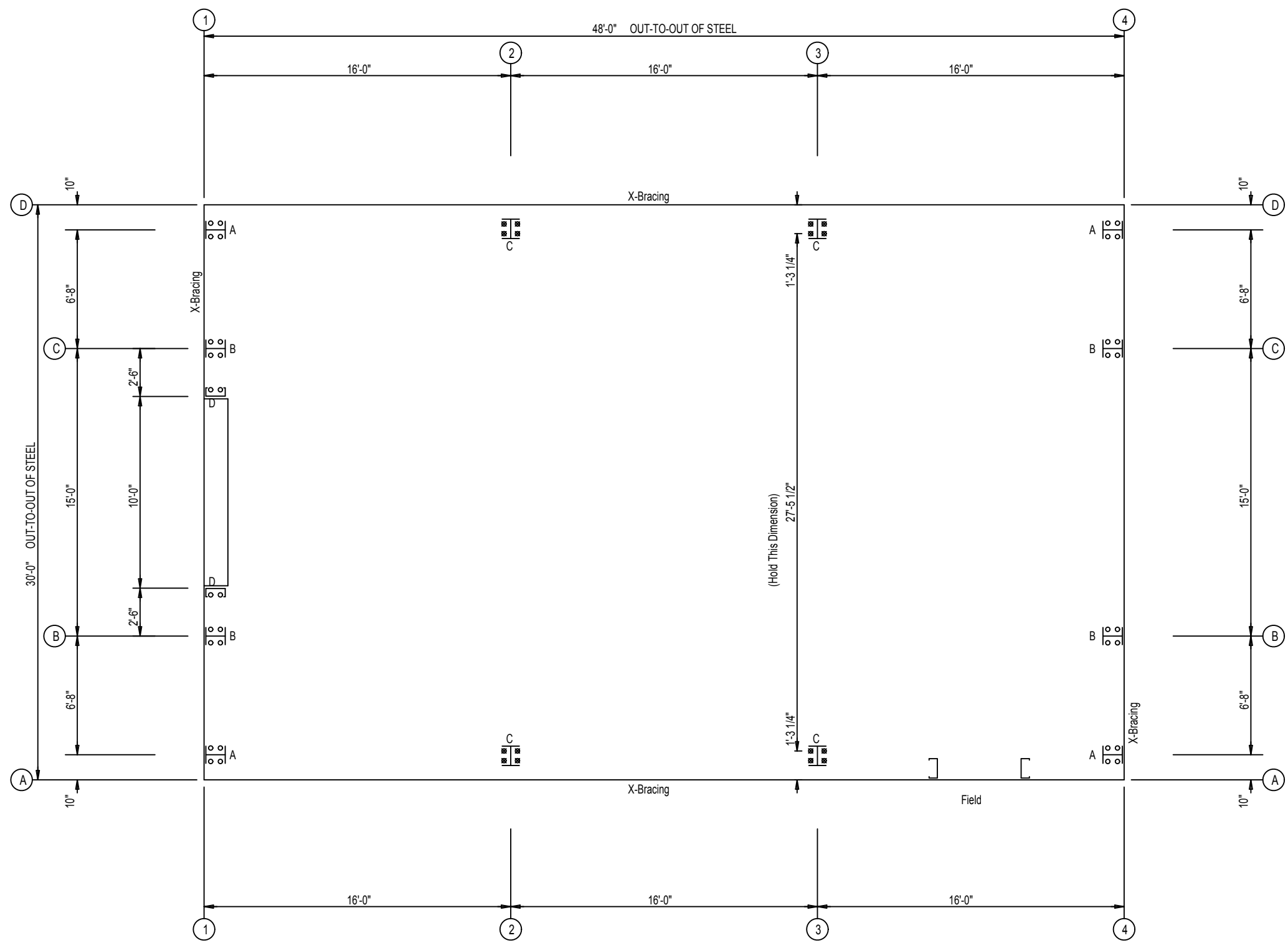


245280142

Building Layout

10/9/20

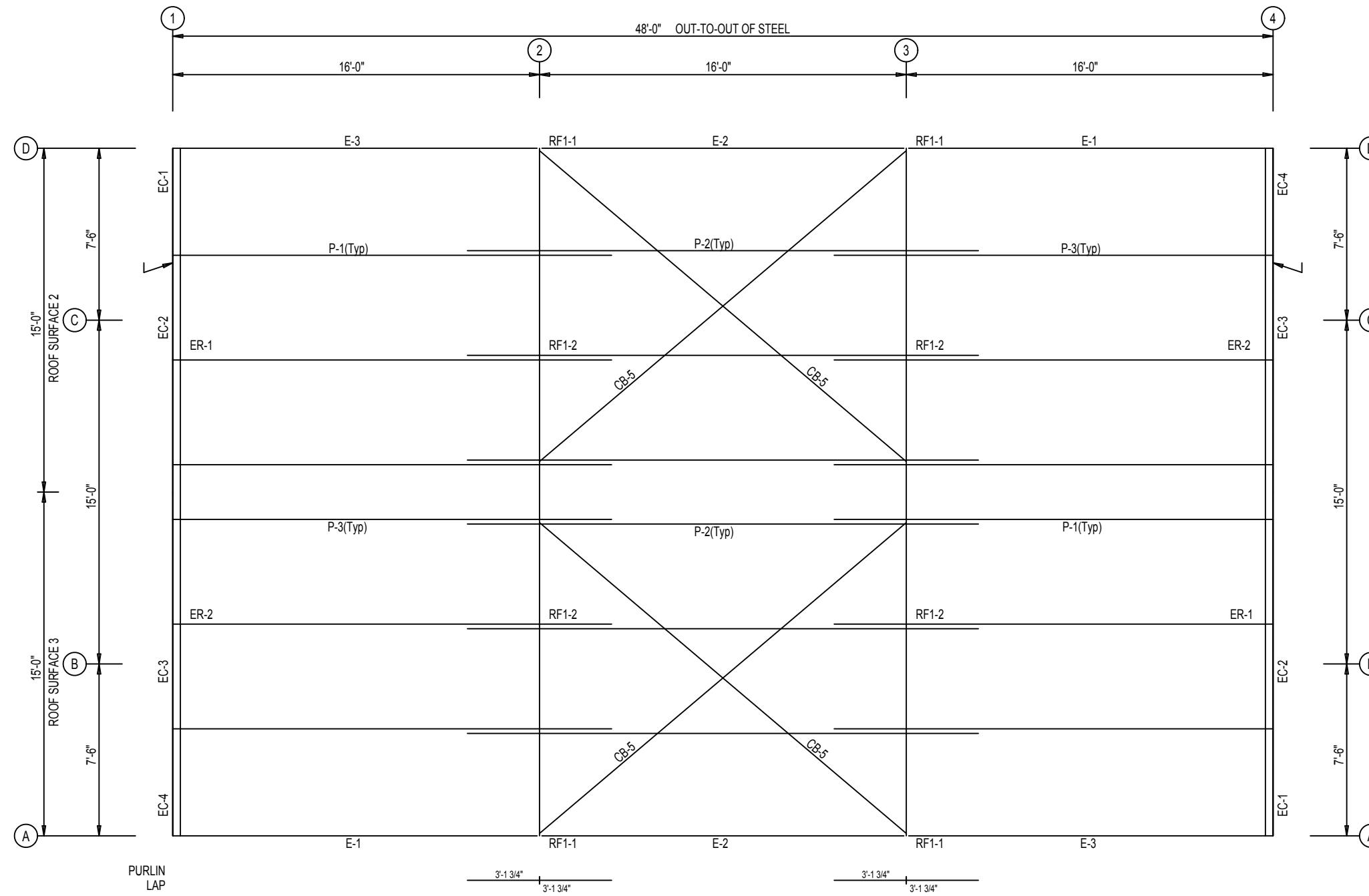
NOT FOR CONSTRUCTION



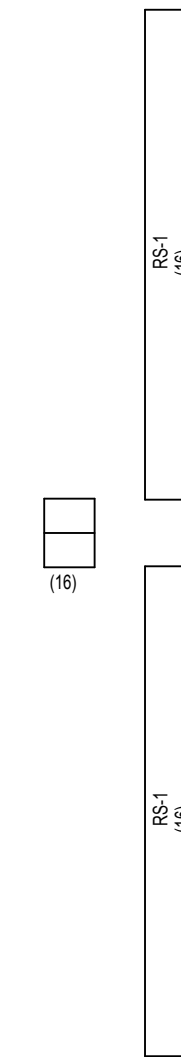
ANCHOR BOLT PLAN

○ Dia= 5/8"
 ⊗ Dia= 3/4"

NOT FOR CONSTRUCTION



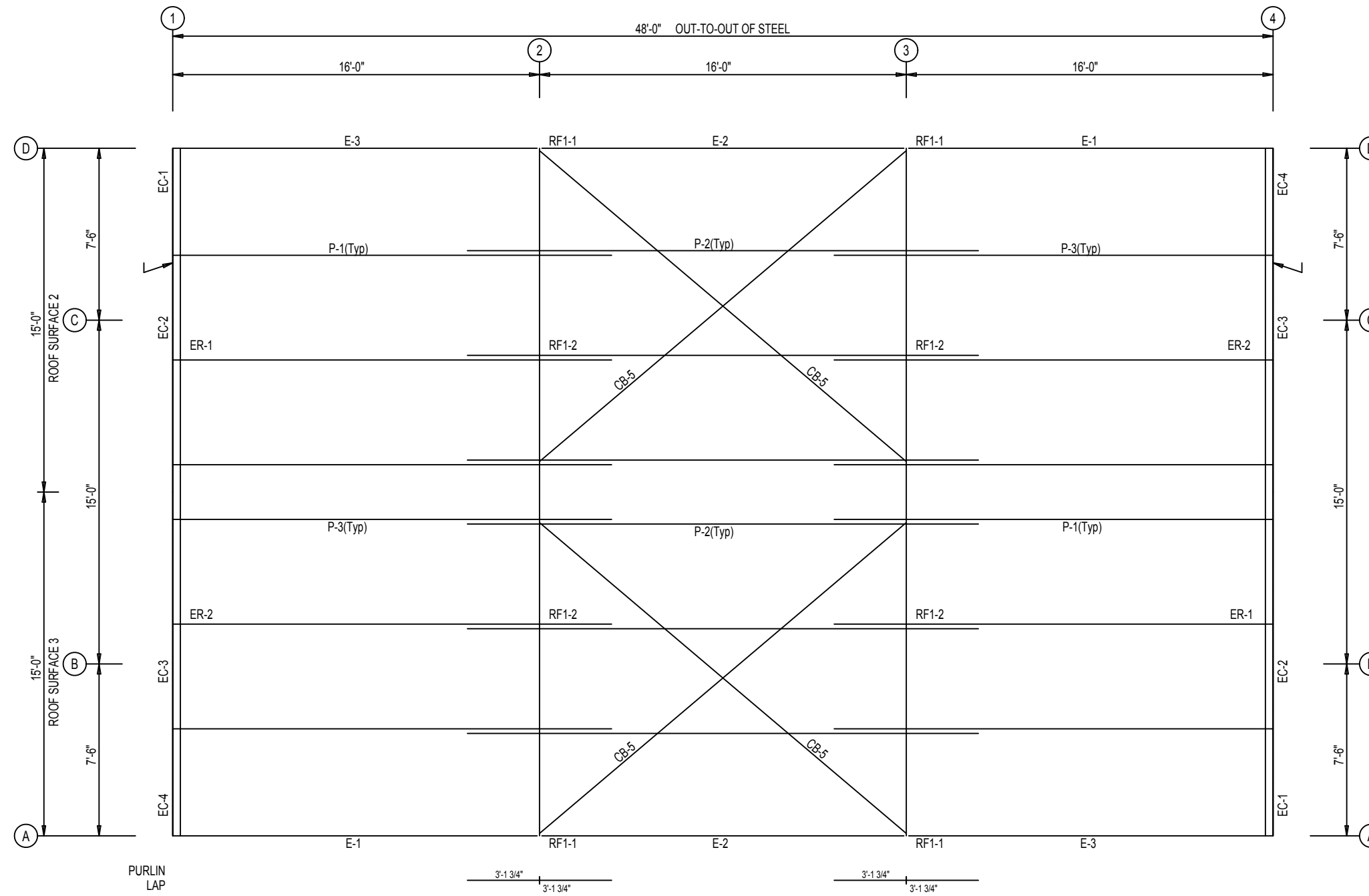
ROOF FRAMING PLAN



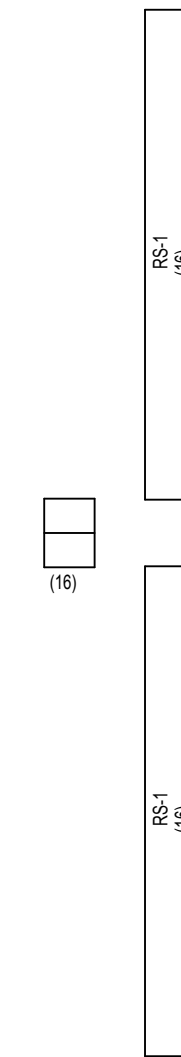
ROOF SHEETING

PANELS: 26 Gauge PBR Galvalume

NOT FOR CONSTRUCTION



ROOF FRAMING PLAN

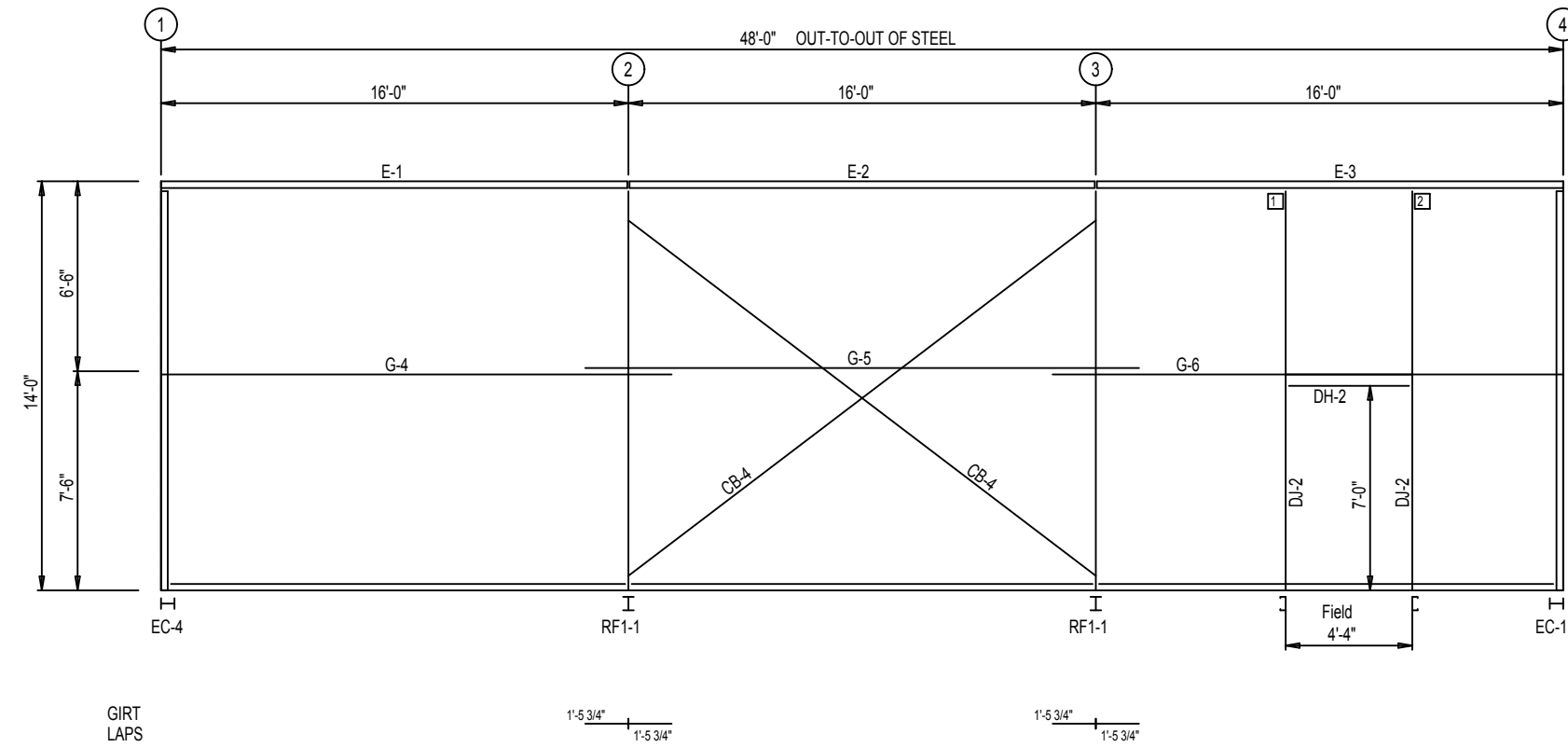


ROOF SHEETING

PANELS: 26 Gauge PBR Galvalume

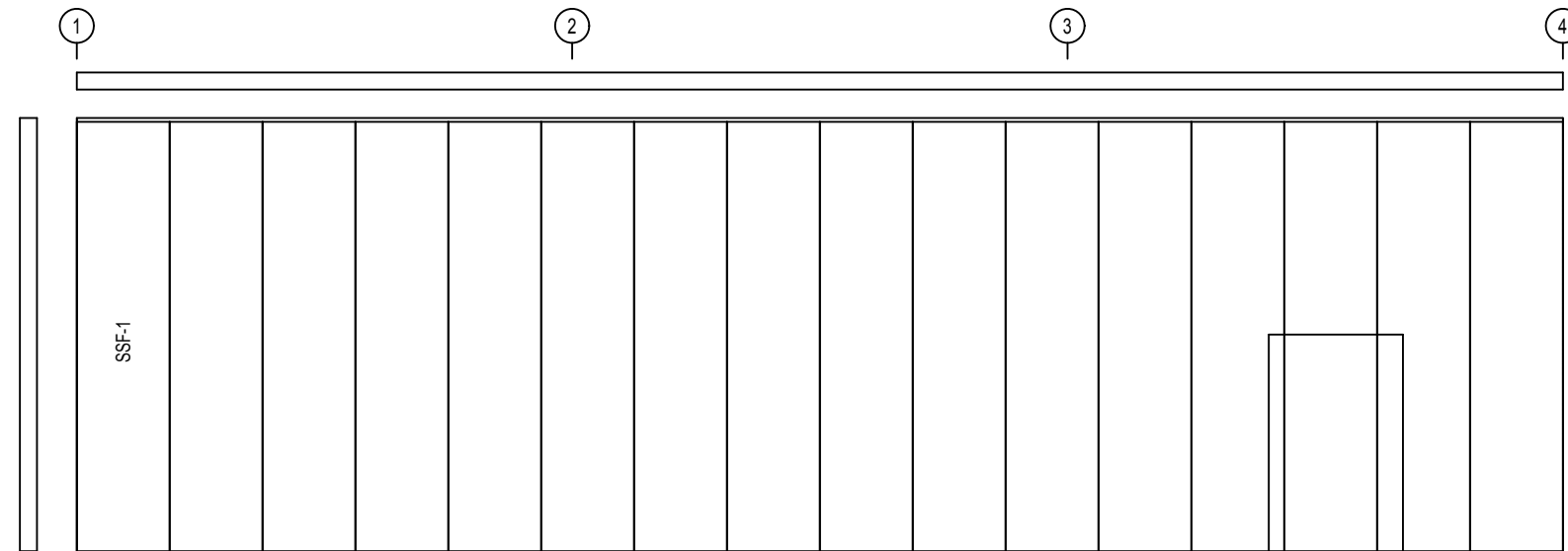
NOT FOR CONSTRUCTION

CONNECTION PLATES	
FRAME LINE A	
ID	MARK/PART
1	SC586 L
2	SC586 R



GIRT
LAPS

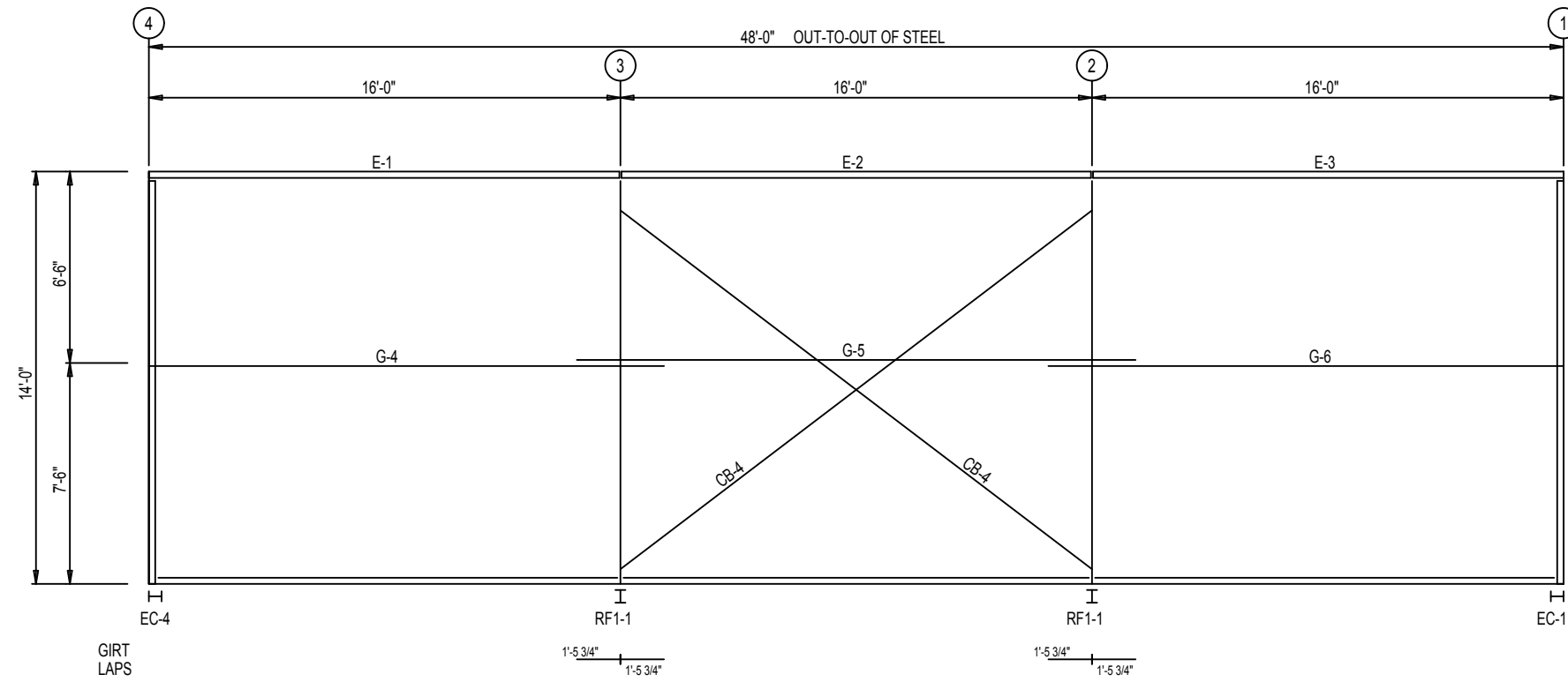
SIDEWALL FRAMING: FRAME LINE A



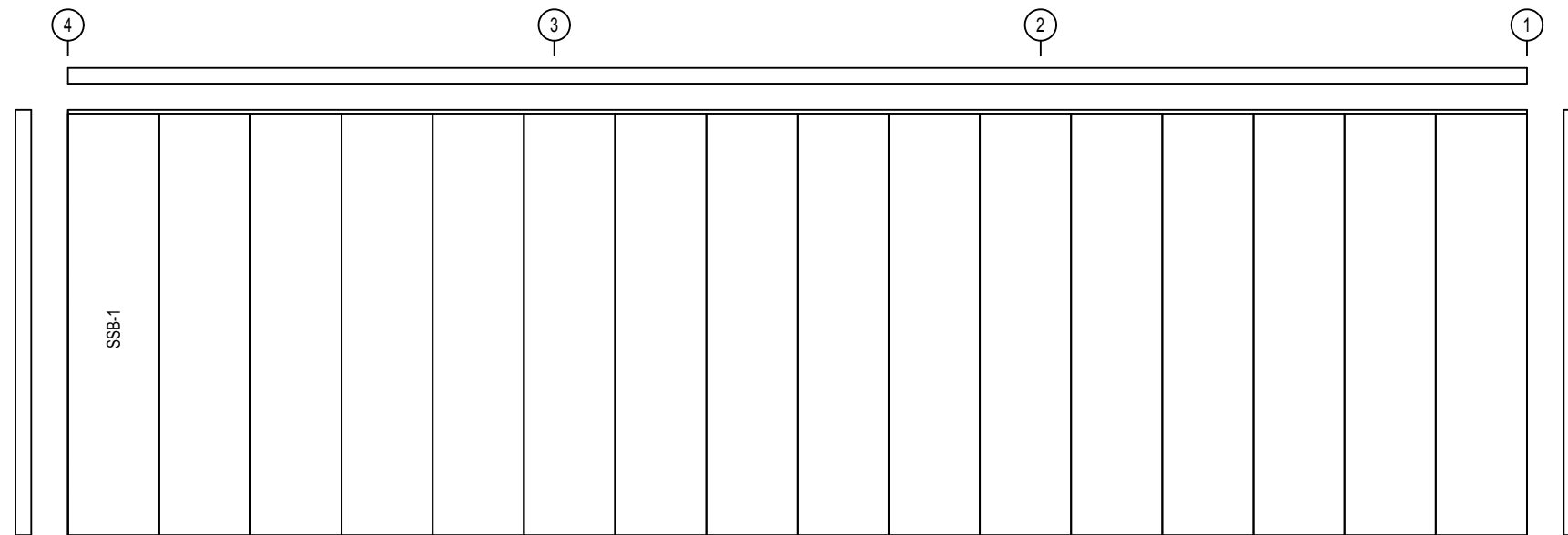
SIDEWALL SHEETING & TRIM: FRAME LINE A

PANELS: 26 Gauge PBR - Polar White

NOT FOR CONSTRUCTION



SIDEWALL FRAMING: FRAME LINE D



SIDEWALL SHEETING & TRIM: FRAME LINE D

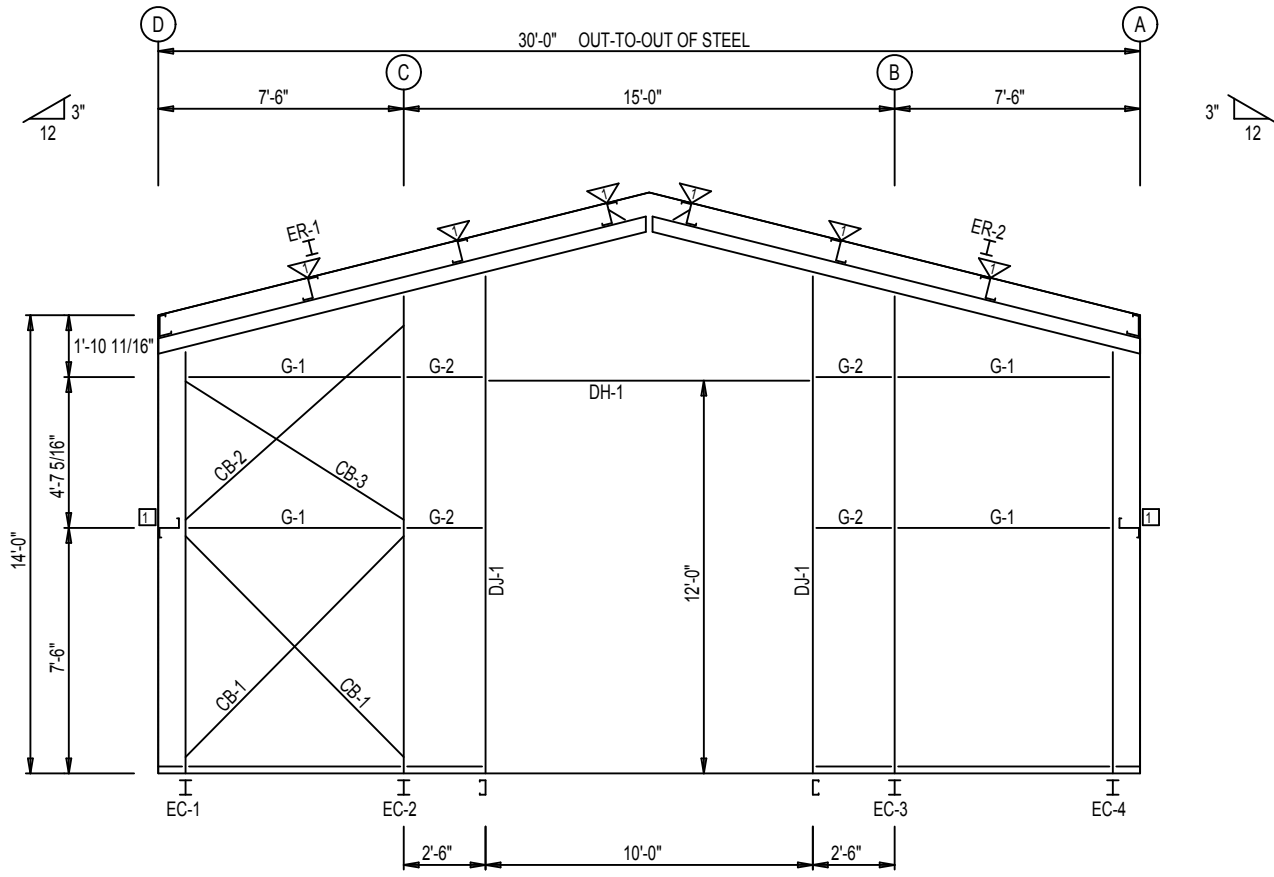
PANELS: 26 Gauge PBR - Polar White

NOT FOR CONSTRUCTION

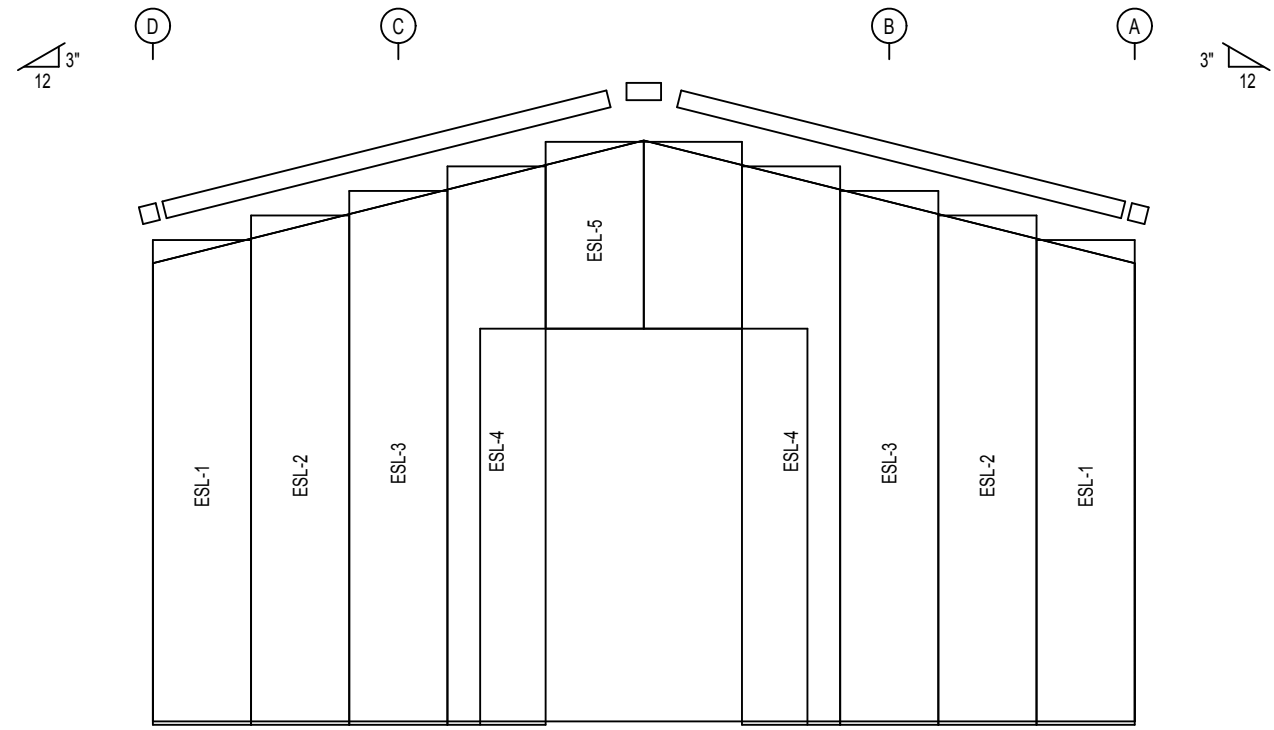
BOLT TABLE				
FRAME LINE 1				
LOCATION	QUAN	TYPE	DIA	LENGTH
ER-1/ER-2	8	A325	5/8"	1 3/4"
Columns/Raf	4	A325	1/2"	1 1/4"
Jamb	2	A325	1/2"	1 1/4"

FLANGE BRACE TABLE		
FRAME LINE 1		
▽ ID	PART	LENGTH
FB29.3	L2X2X14G	2'-5 1/4"

CONNECTION PLATES	
FRAME LINE 1	
□ ID	MARK/PART
1	SC-5



ENDWALL FRAMING: FRAME LINE 1



ENDWALL SHEETING & TRIM: FRAME LINE 1

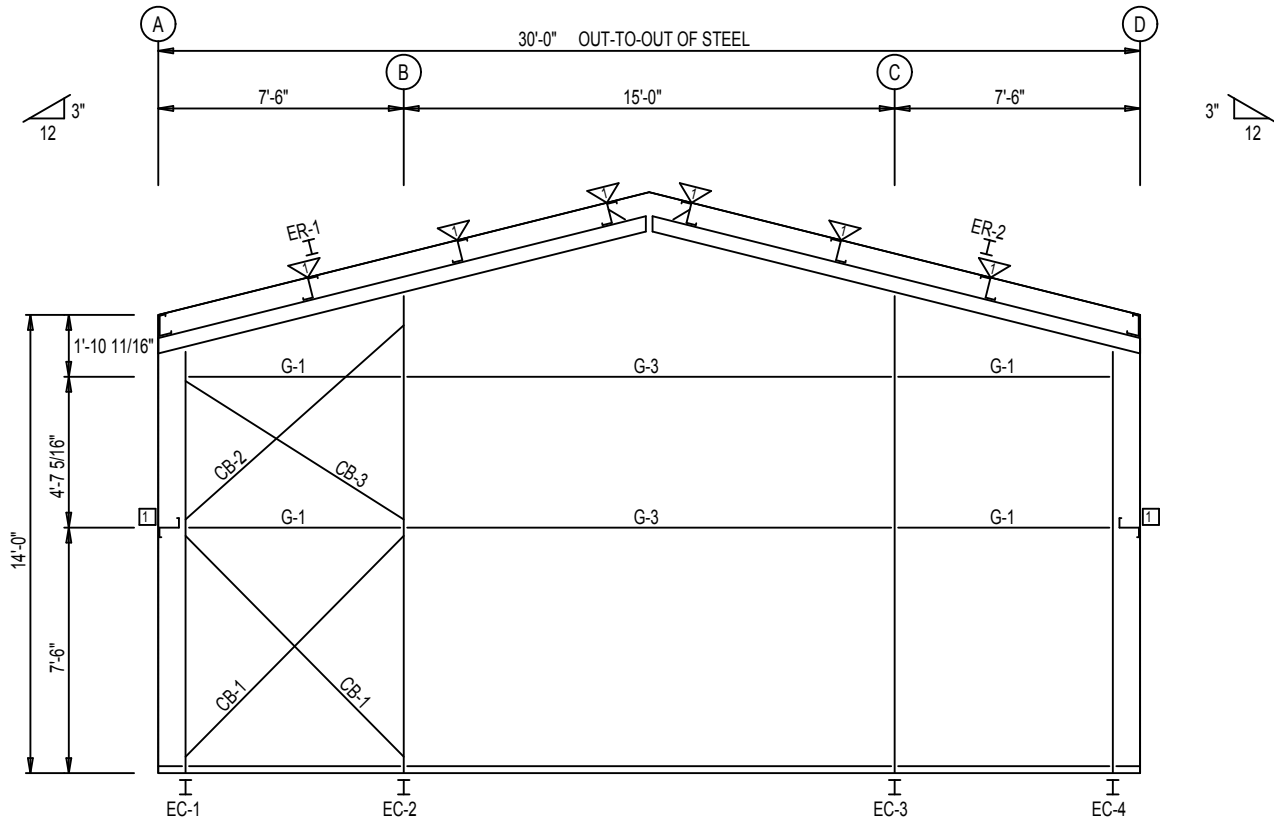
PANELS: 26 Gauge PBR - Polar White

NOT FOR CONSTRUCTION

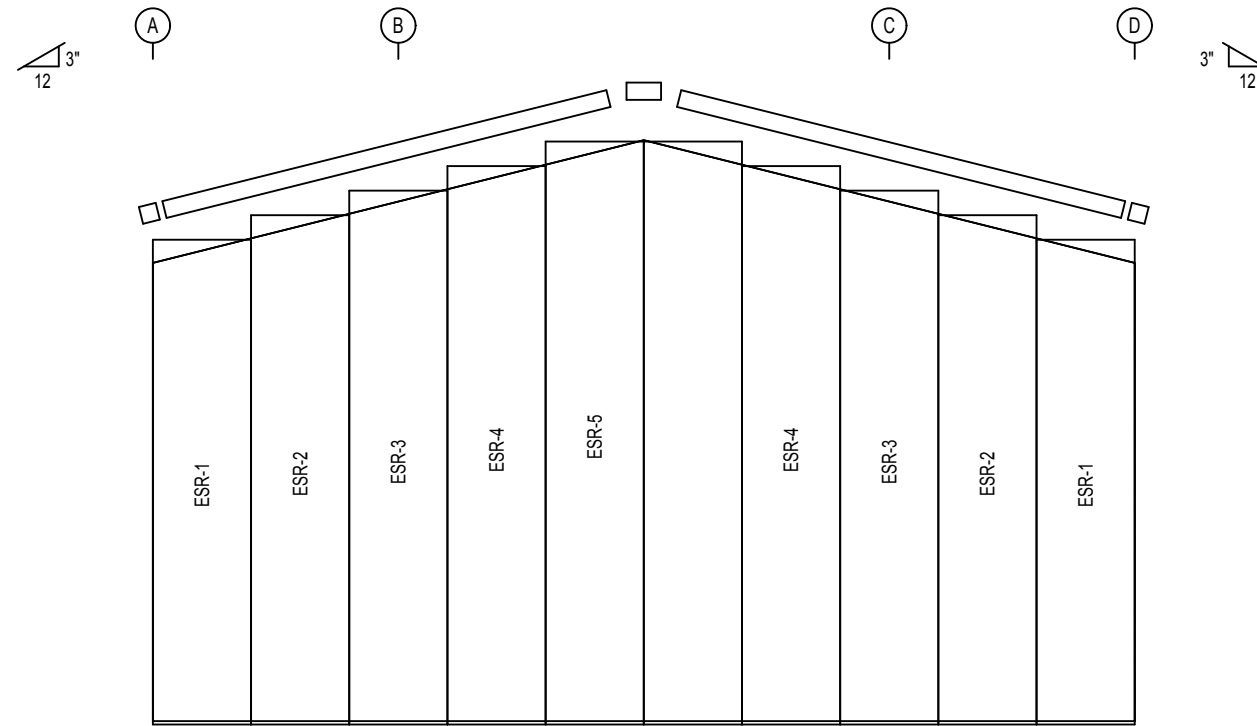
BOLT TABLE				
FRAME LINE 4				
LOCATION	QUAN	TYPE	DIA	LENGTH
ER-1/ER-2	8	A325	5/8"	1 3/4"
Columns/Raf	4	A325	1/2"	1 1/4"

FLANGE BRACE TABLE		
FRAME LINE 4		
▽ ID	PART	LENGTH
FB29.3	L2X2X14G	2'-5 1/4"

CONNECTION PLATES	
FRAME LINE 4	
□ ID	MARK/PART
1	SC-5



ENDWALL FRAMING: FRAME LINE 4



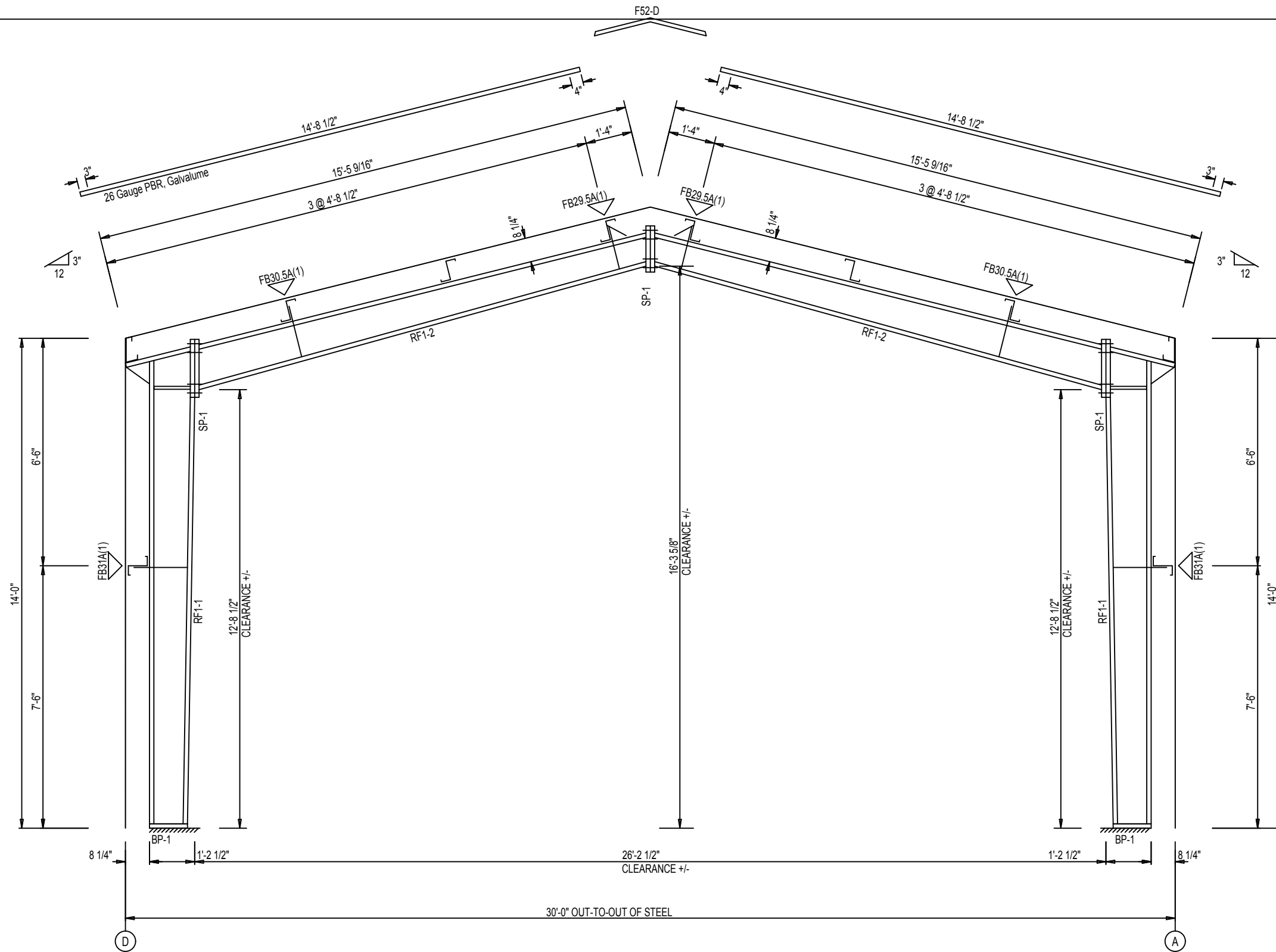
ENDWALL SHEETING & TRIM: FRAME LINE 4

PANELS: 26 Gauge PBR - Polar White

NOT FOR CONSTRUCTION

STIFFENER TABLE				
Mark	Stiff Mark	Width	Plate Size Thick	Length
RF1-1	St- 1	2 1/2	1/4"	14"

▽ FLANGE BRACES: BOTH SIDES (UNLESS NOTED)
 FBxxA(1): xx=length(in)
 A - L2X2X14G



FRAME CROSS SECTION: FRAME LINE 2 3

NOT FOR CONSTRUCTION