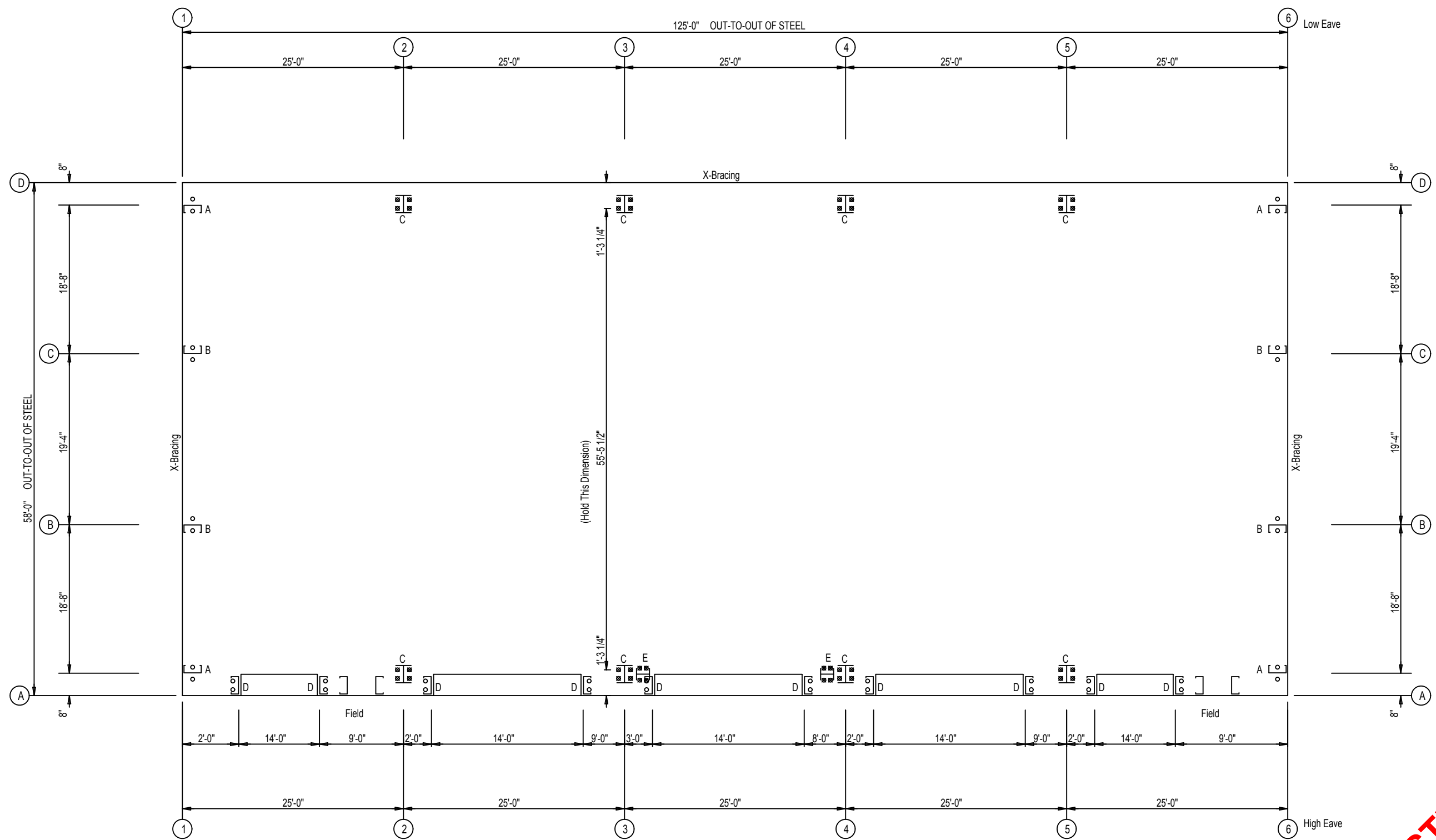


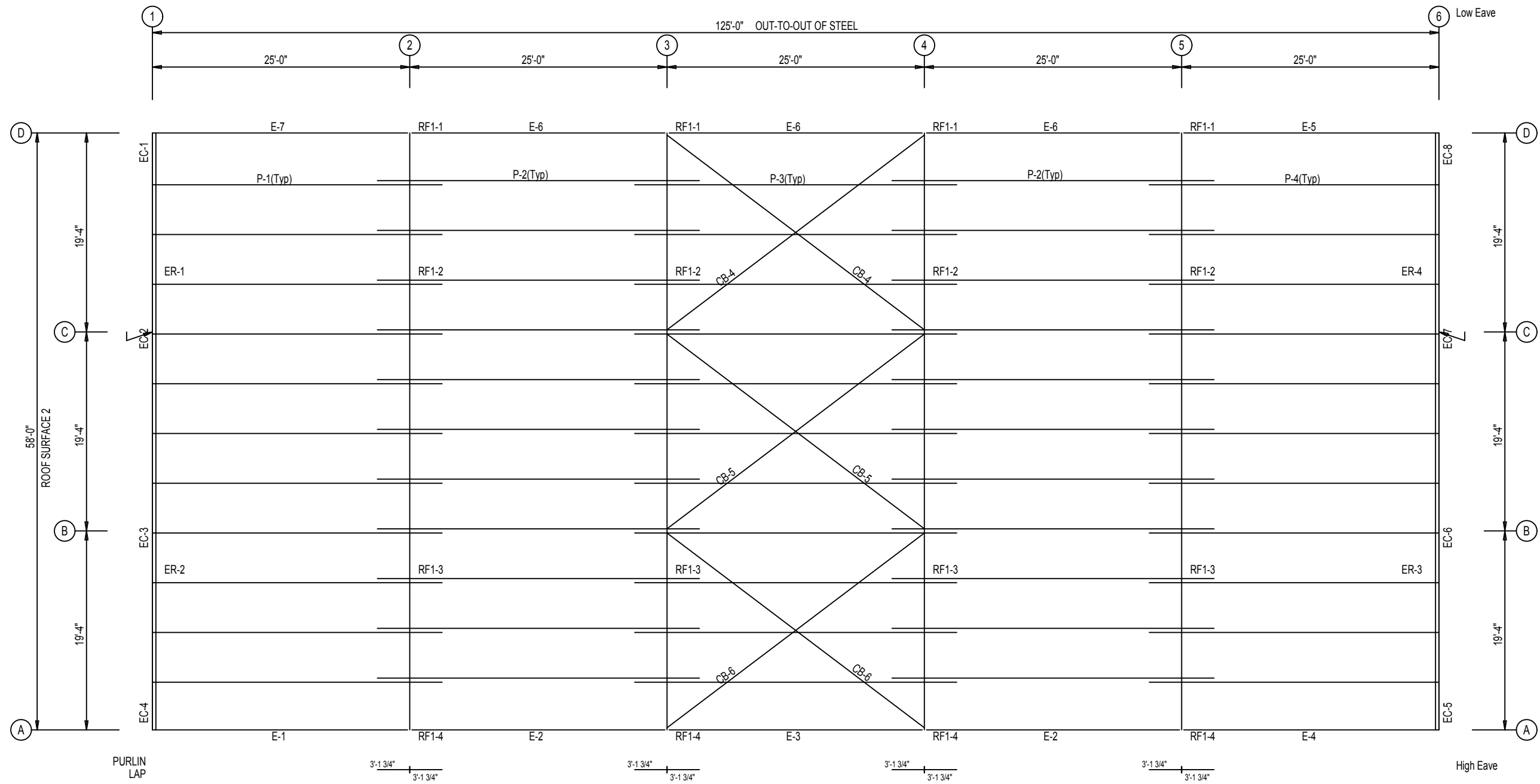
NOT FOR CONSTRUCTION



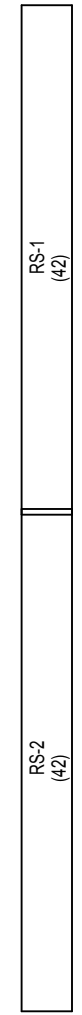
○ Dia= 5/8"
 ⊗ Dia= 3/4"

ANCHOR BOLT PLAN

NOT FOR CONSTRUCTION

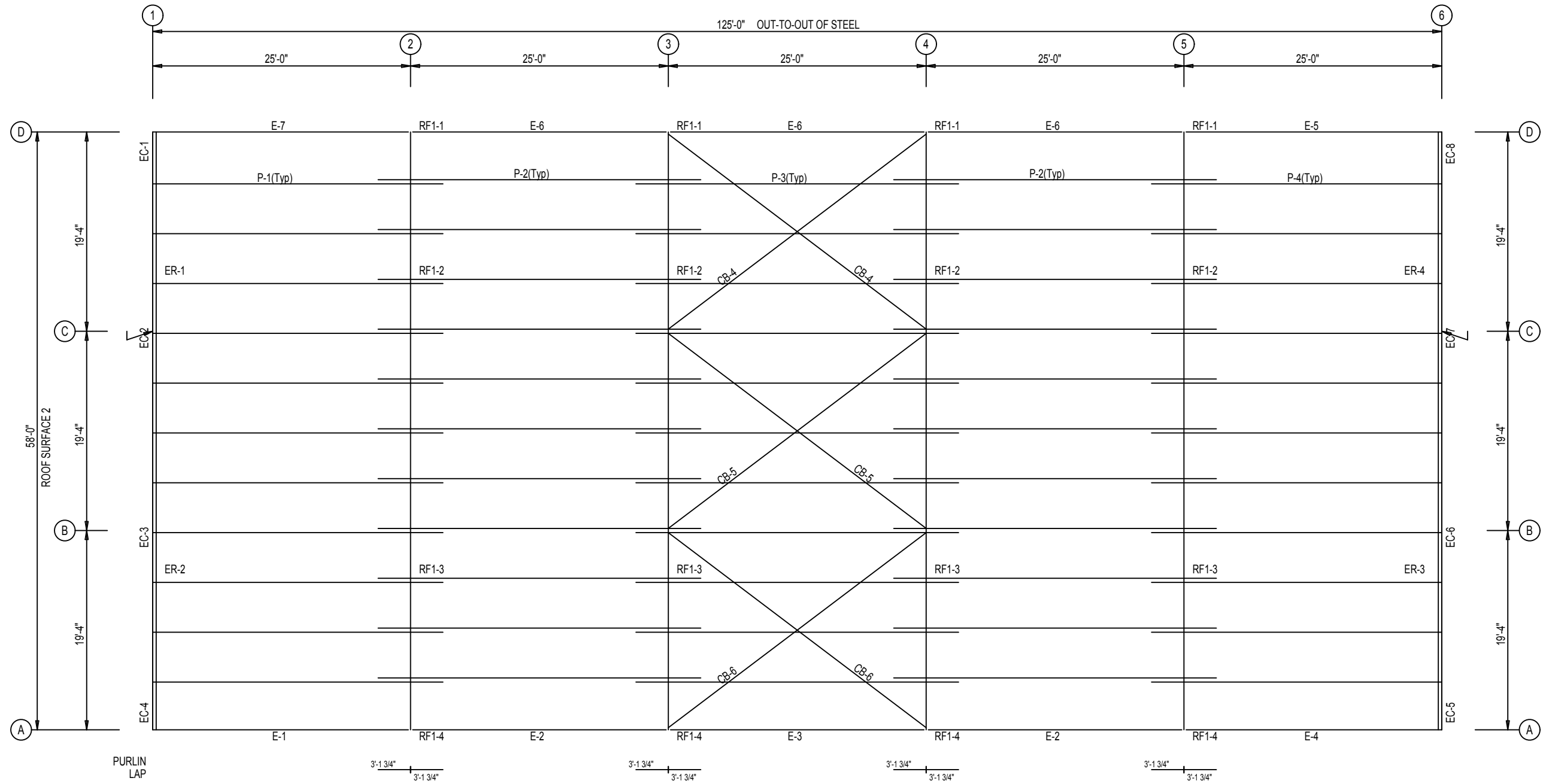


ROOF FRAMING PLAN

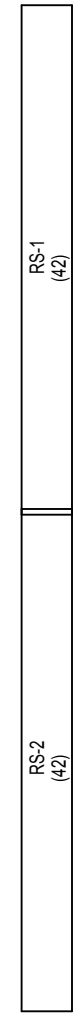


ROOF SHEETING
 PANELS: 26 Gauge PBR Galvalume

NOT FOR CONSTRUCTION



ROOF FRAMING PLAN

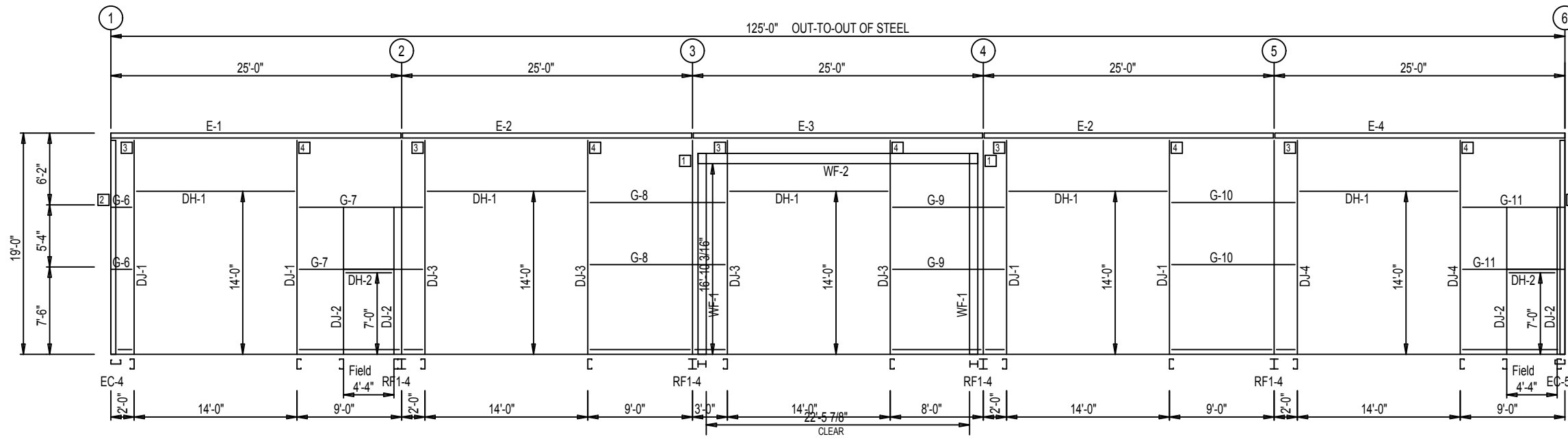


ROOF SHEETING
 PANELS: 26 Gauge PBR Galvalume

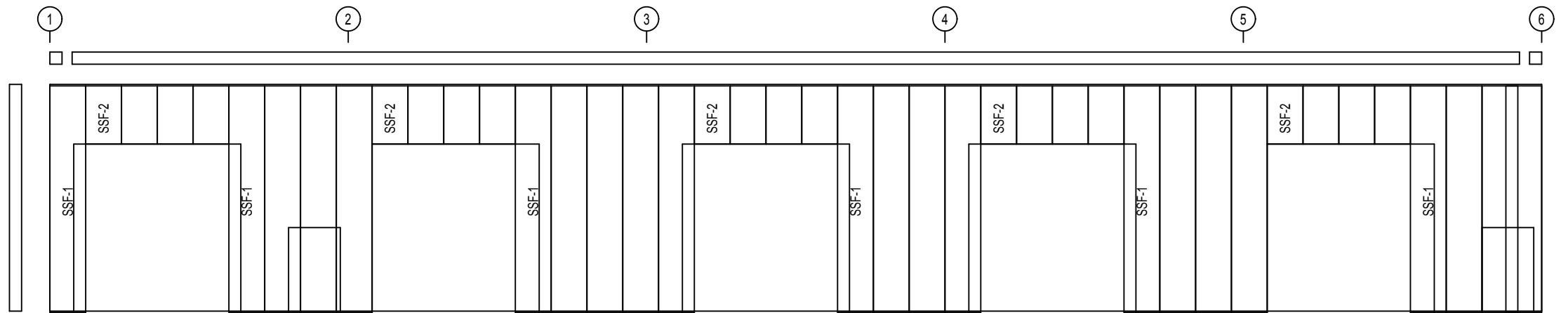
NOT FOR CONSTRUCTION

BOLT TABLE				
FRAME LINE A				
LOCATION	QUAN	TYPE	DIA	LENGTH
WF-1 - WF-2	8	A325	3/4"	1 3/4"
WF-1 - RF1-4	8	A325	5/8"	1 1/2"

CONNECTION PLATES	
FRAME LINE A	
ID	MARK/PART
1	SC-480
2	SC-5
3	SC577 L
4	SC577 R



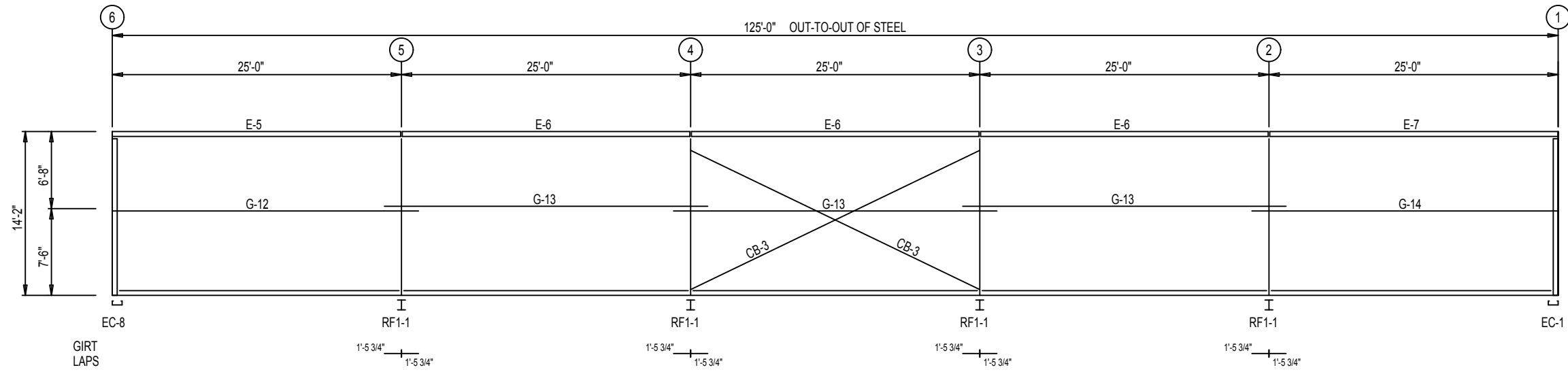
SIDEWALL FRAMING: FRAME LINE A



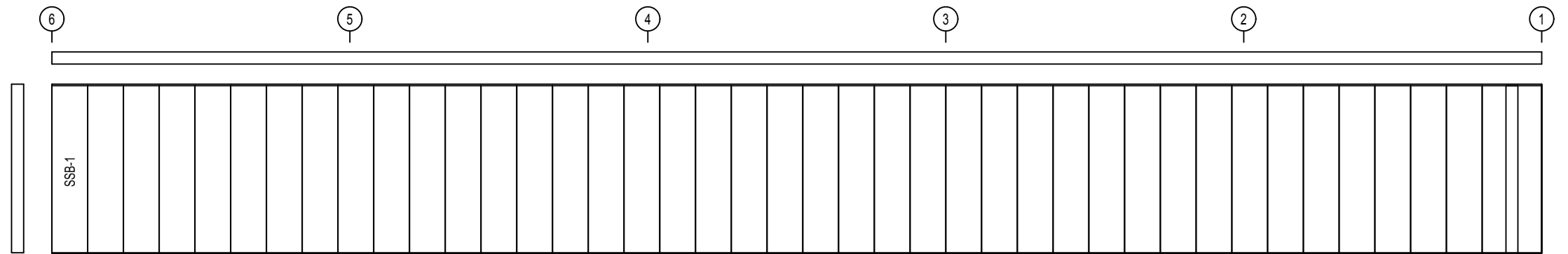
SIDEWALL SHEETING & TRIM: FRAME LINE A

PANELS: 26 Gauge PBR - Polar White

NOT FOR CONSTRUCTION



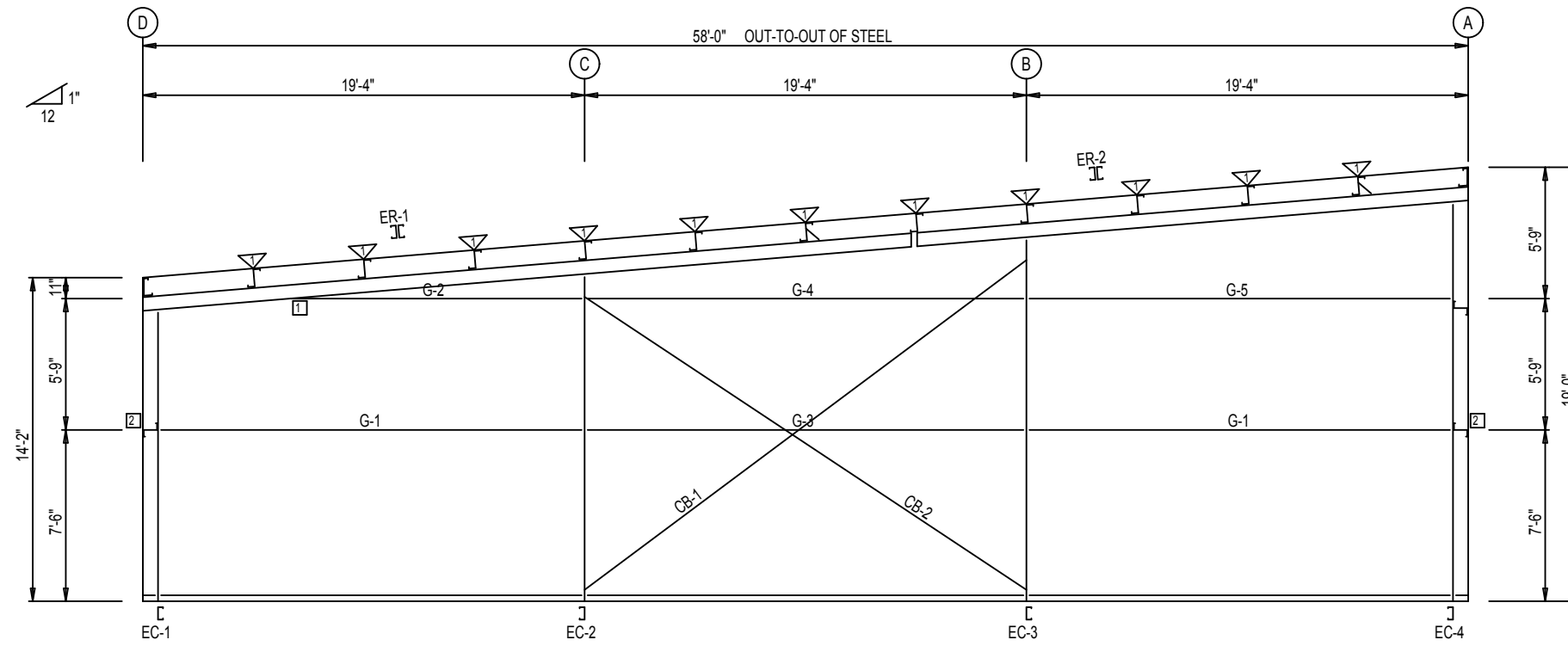
SIDEWALL FRAMING: FRAME LINE D



SIDEWALL SHEETING & TRIM: FRAME LINE D

PANELS: 26 Gauge PBR - Polar White

NOT FOR CONSTRUCTION



ENDWALL FRAMING: FRAME LINE 1



ENDWALL SHEETING & TRIM: FRAME LINE 1

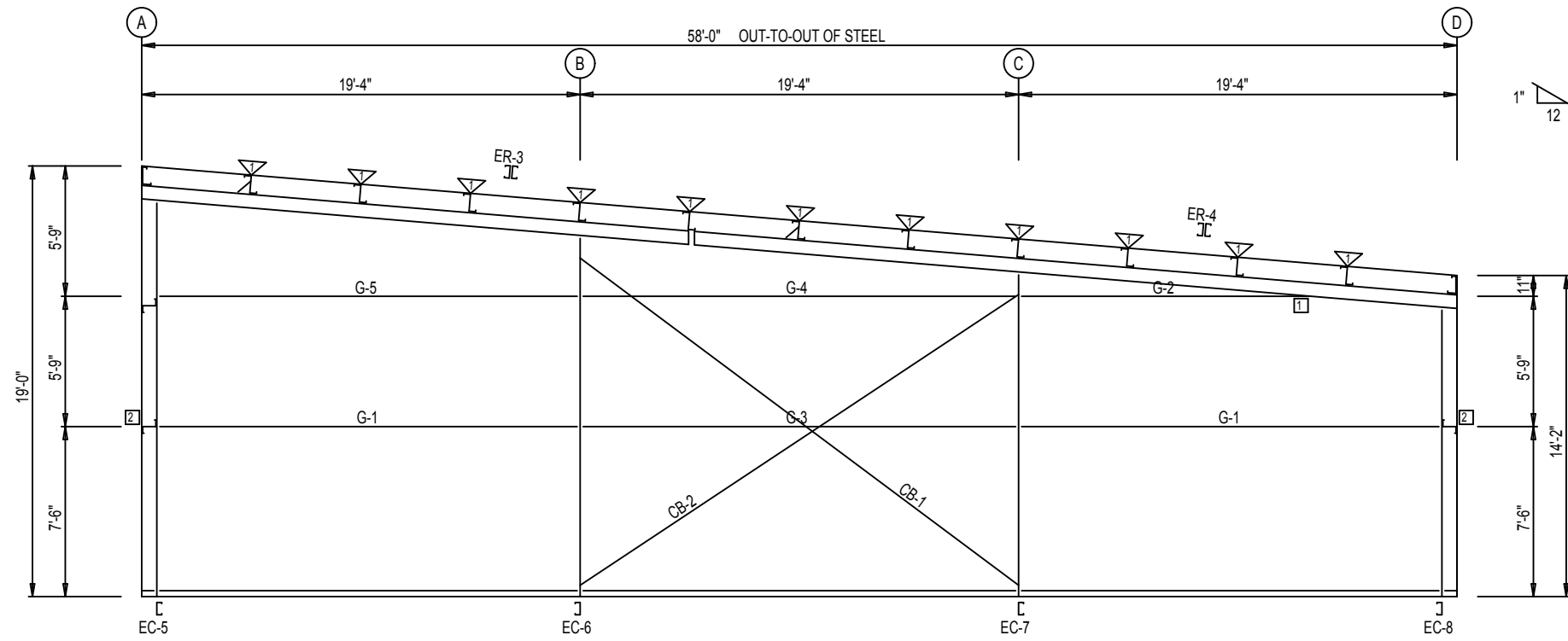
PANELS: 26 Gauge PBR - Polar White

BOLT TABLE				
FRAME LINE 1				
LOCATION	QUAN	TYPE	DIA	LENGTH
ER-1/ER-2	8	A325	5/8"	1 3/4"
Columns/Raf	4	A325	1/2"	1 1/4"

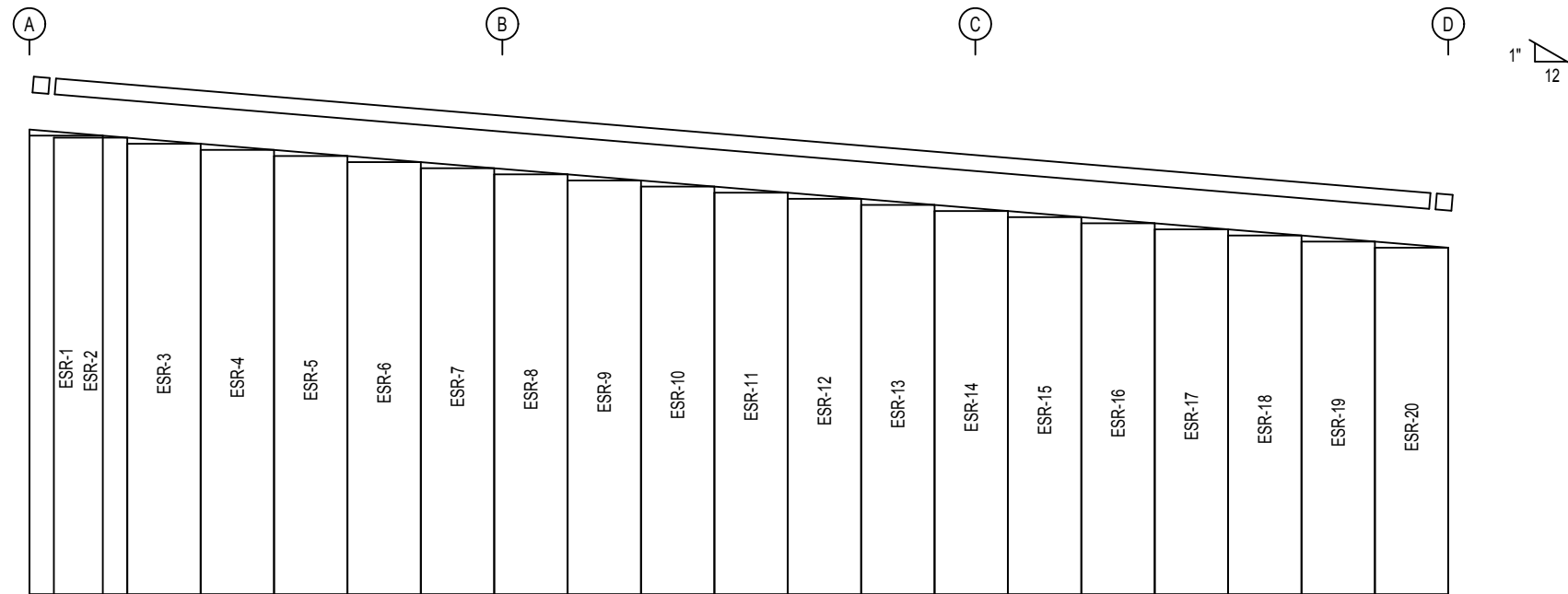
FLANGE BRACE TABLE		
FRAME LINE 1		
▽ ID	PART	LENGTH
FB29.5	L2X2X14G	2'-5 1/2"

CONNECTION PLATES	
FRAME LINE 1	
□ ID	MARK/PART
1	SC510
2	SC-5

NOT FOR CONSTRUCTION



ENDWALL FRAMING: FRAME LINE 6



ENDWALL SHEETING & TRIM: FRAME LINE 6

PANELS: 26 Gauge PBR - Polar White

BOLT TABLE				
FRAME LINE 6				
LOCATION	QUAN	TYPE	DIA	LENGTH
ER-3/ER-4	8	A325	5/8"	1 3/4"
Columns/Raf	4	A325	1/2"	1 1/4"

FLANGE BRACE TABLE		
FRAME LINE 6		
▽ ID	PART	LENGTH
FB29.5	L2X2X14G	2'-5 1/2"

CONNECTION PLATES	
FRAME LINE 6	
□ ID	MARK/PART
1	SC510
2	SC-5

NOT FOR CONSTRUCTION