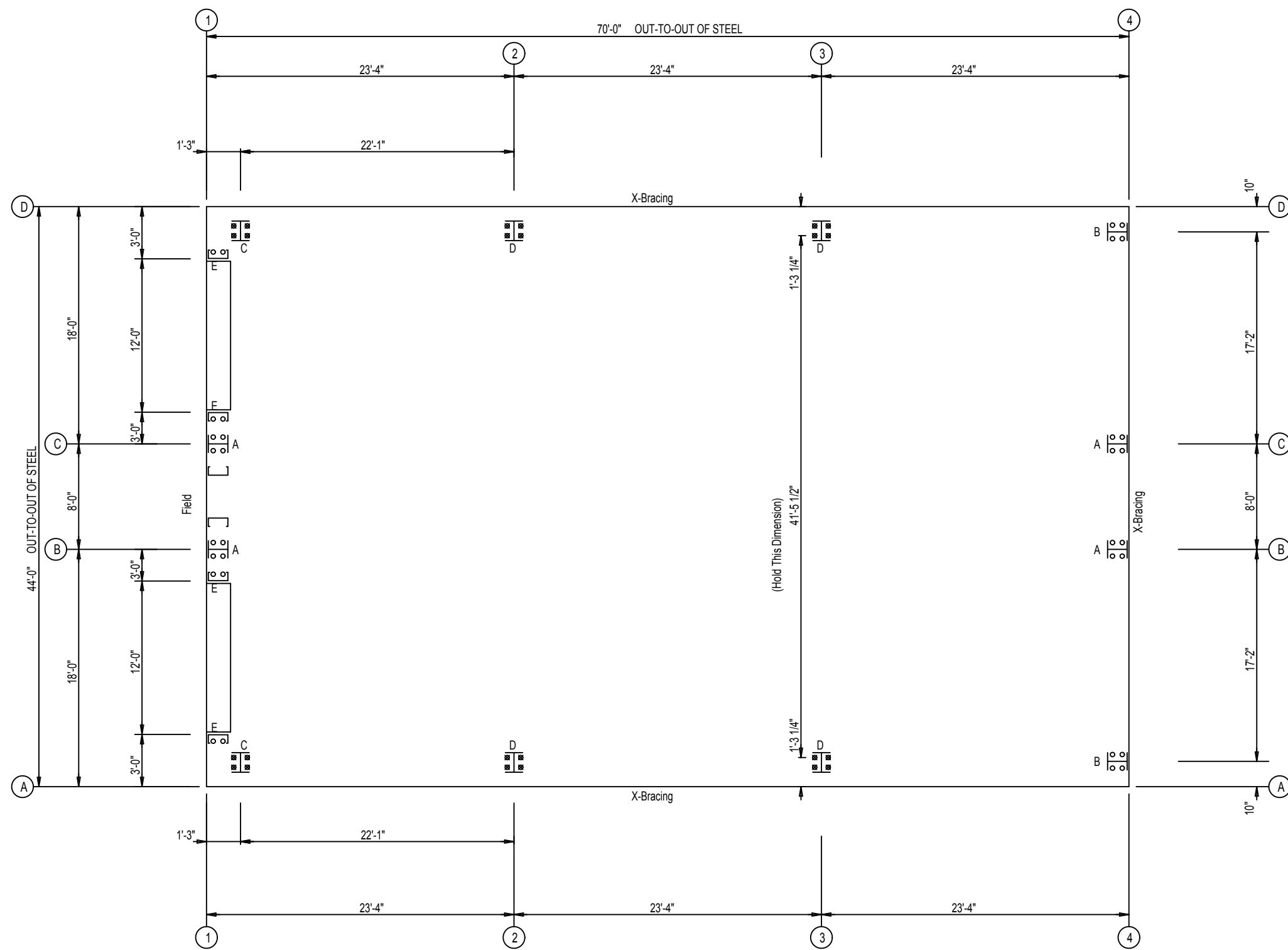


258320689

Building Layout

3/9/21

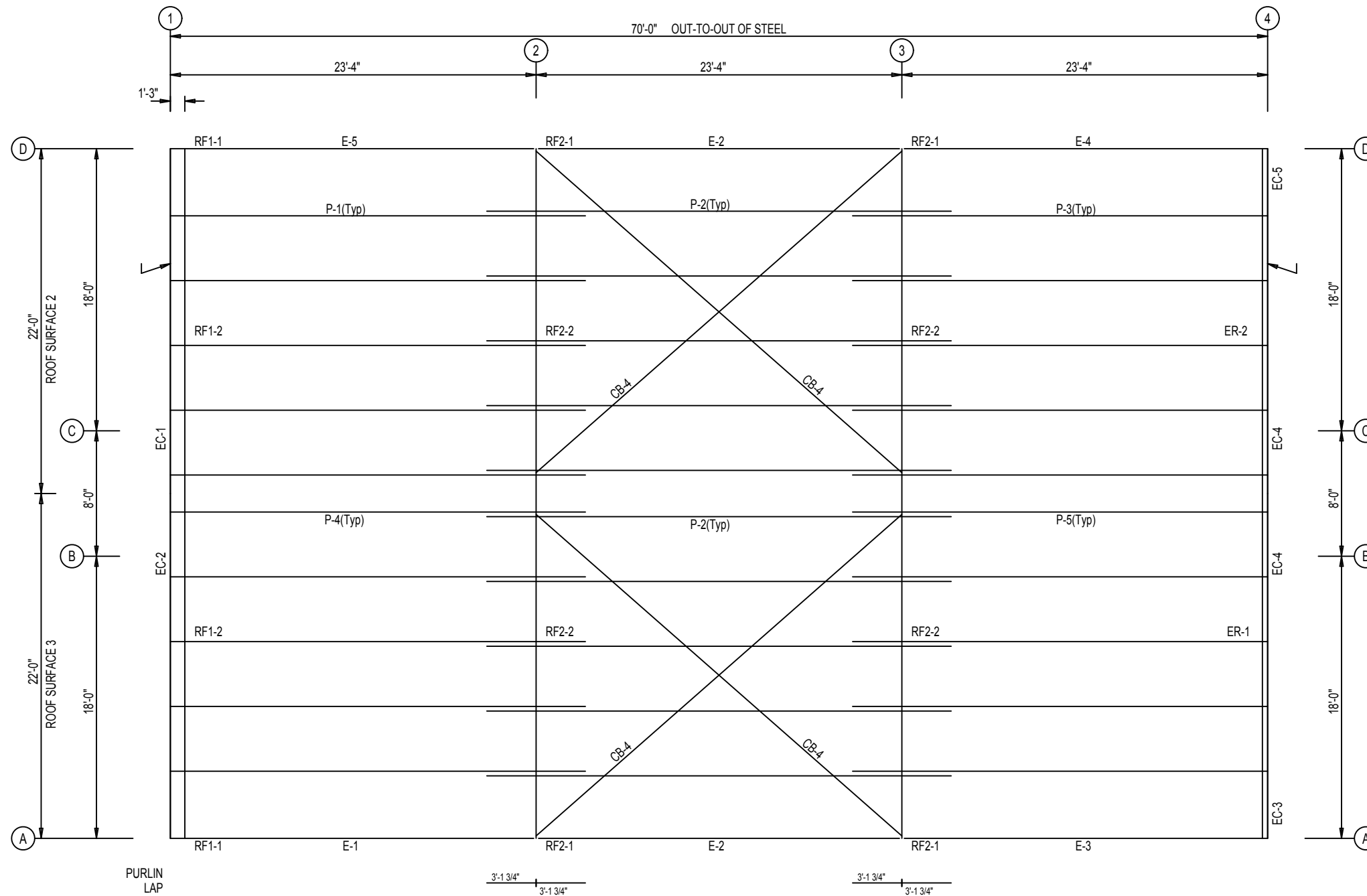
NOT FOR CONSTRUCTION



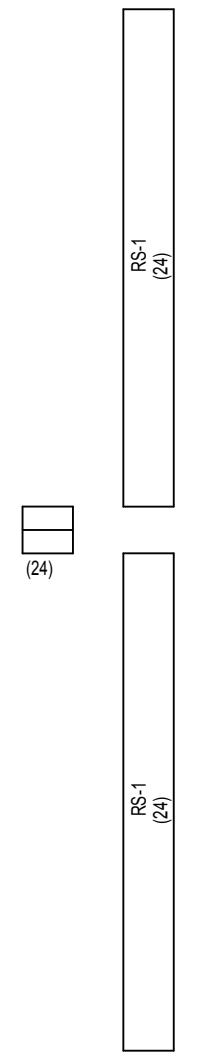
○ Dia= 5/8"
 ⊗ Dia= 3/4"

ANCHOR BOLT PLAN

NOT FOR CONSTRUCTION

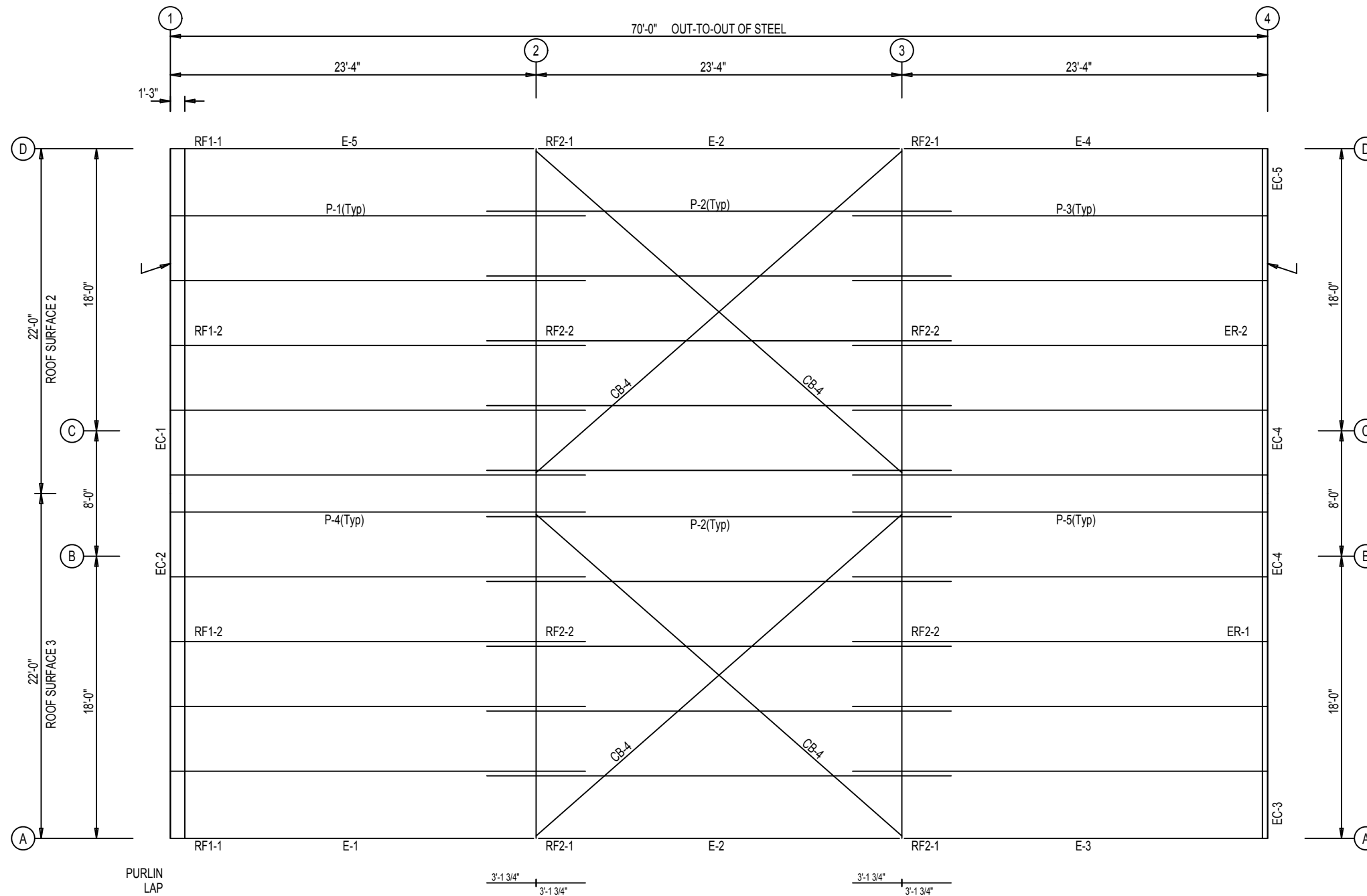


ROOF FRAMING PLAN

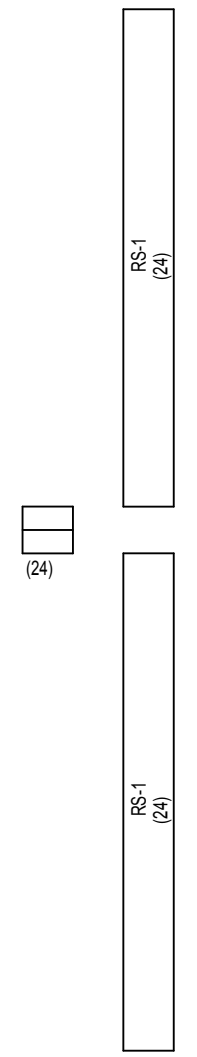


ROOF SHEETING
 PANELS: 26 Gauge PBR Galvalume

NOT FOR CONSTRUCTION



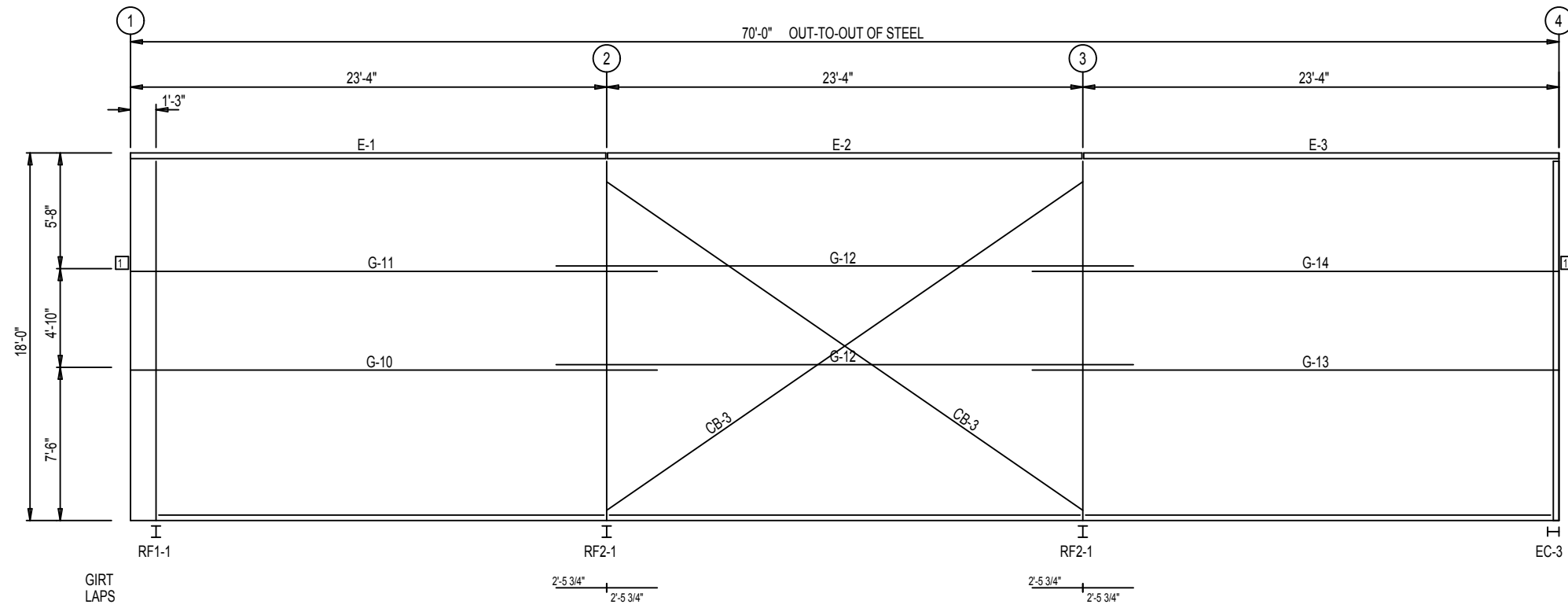
ROOF FRAMING PLAN



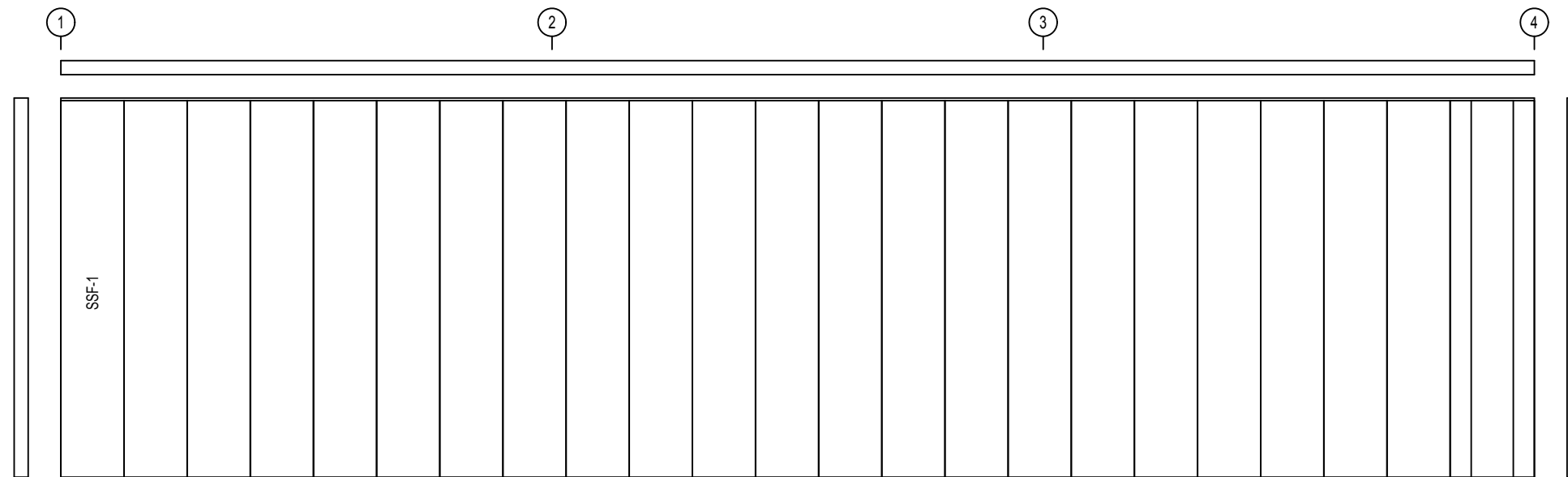
ROOF SHEETING
 PANELS: 26 Gauge PBR Galvalume

NOT FOR CONSTRUCTION

CONNECTION PLATES	
FRAME LINE A	
ID	MARK/PART
1	SC-5



SIDEWALL FRAMING: FRAME LINE A

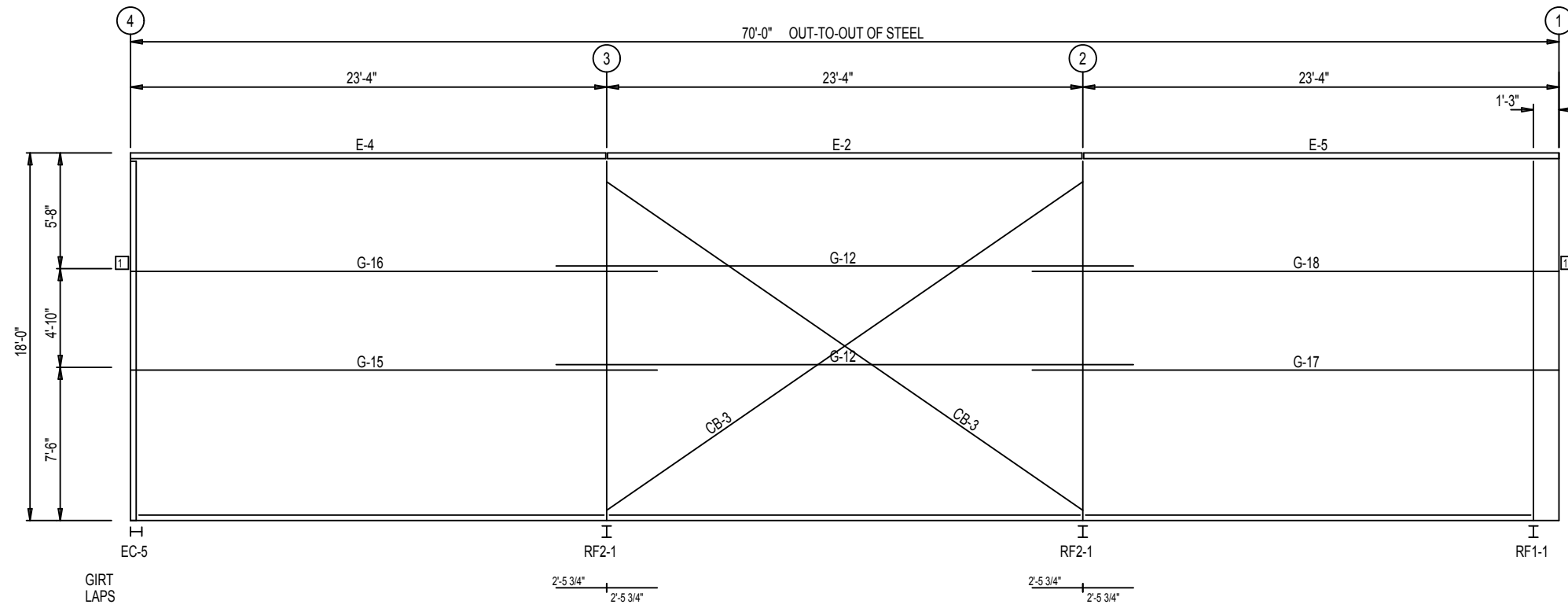


SIDEWALL SHEETING & TRIM: FRAME LINE A

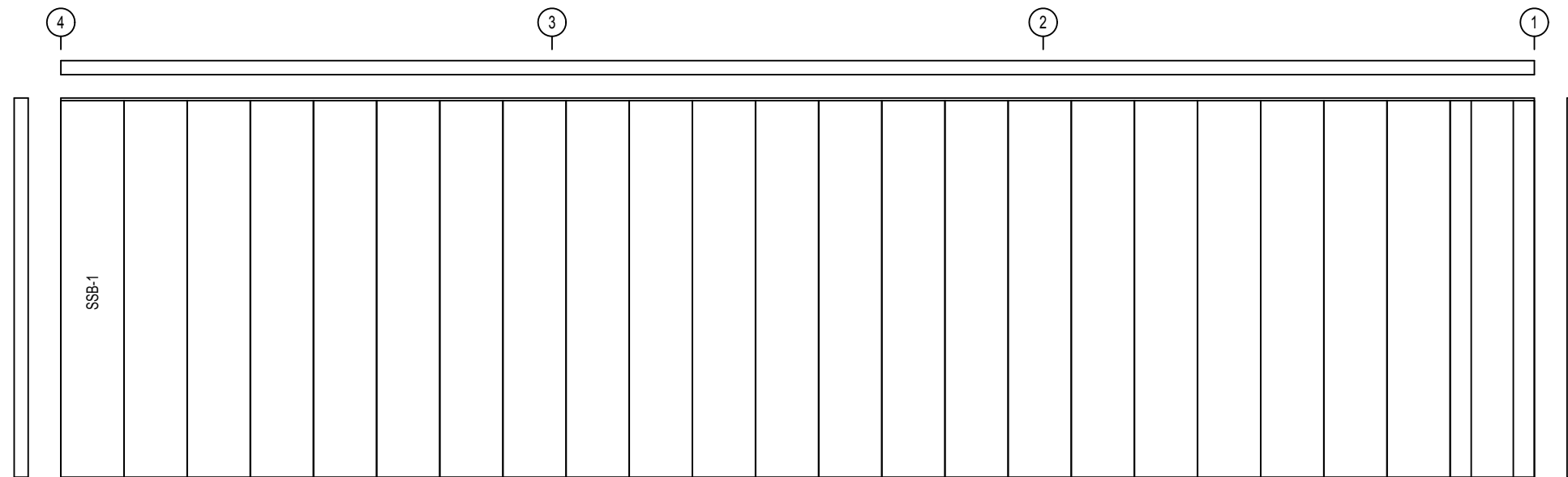
PANELS: 26 Gauge PBR - Polar White

NOT FOR CONSTRUCTION

CONNECTION PLATES	
FRAME LINE D	
ID	MARK/PART
1	SC-5



SIDEWALL FRAMING: FRAME LINE D



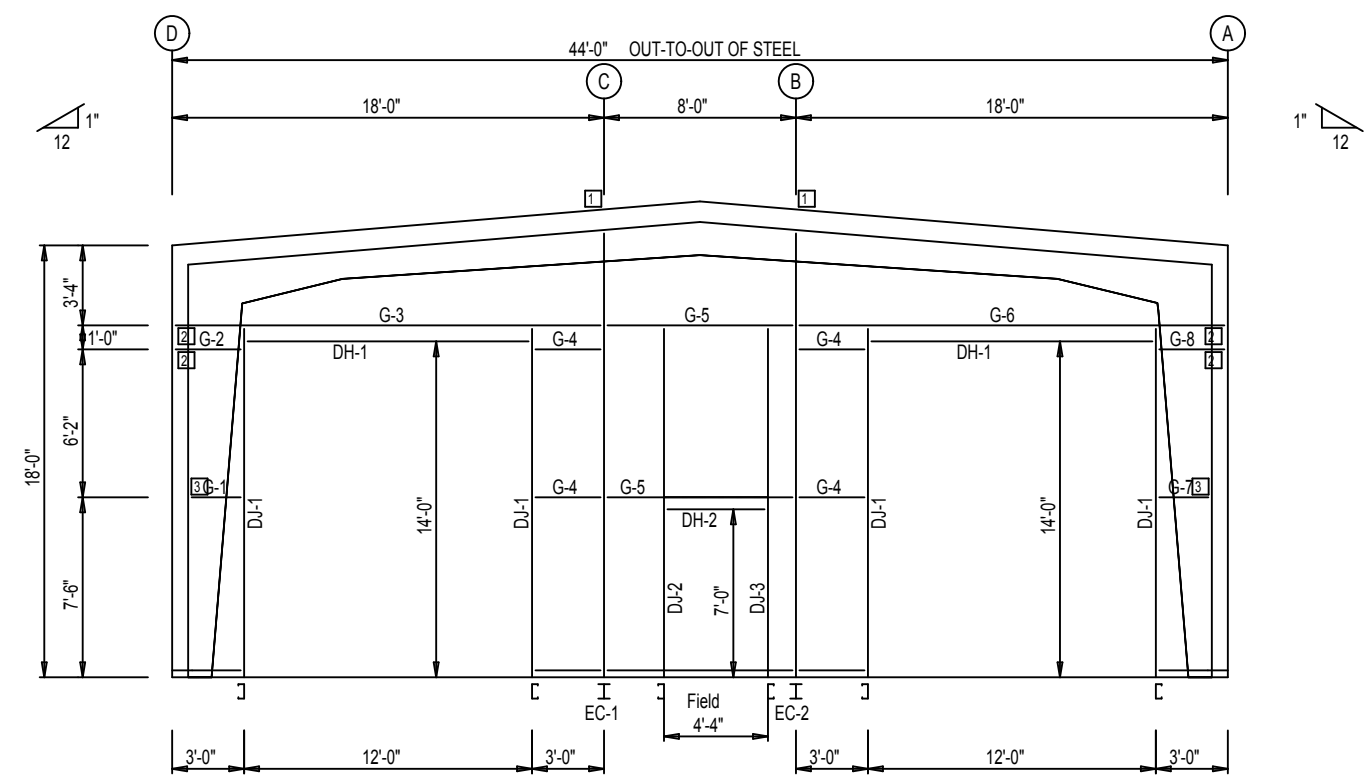
SIDEWALL SHEETING & TRIM: FRAME LINE D

PANELS: 26 Gauge PBR - Polar White

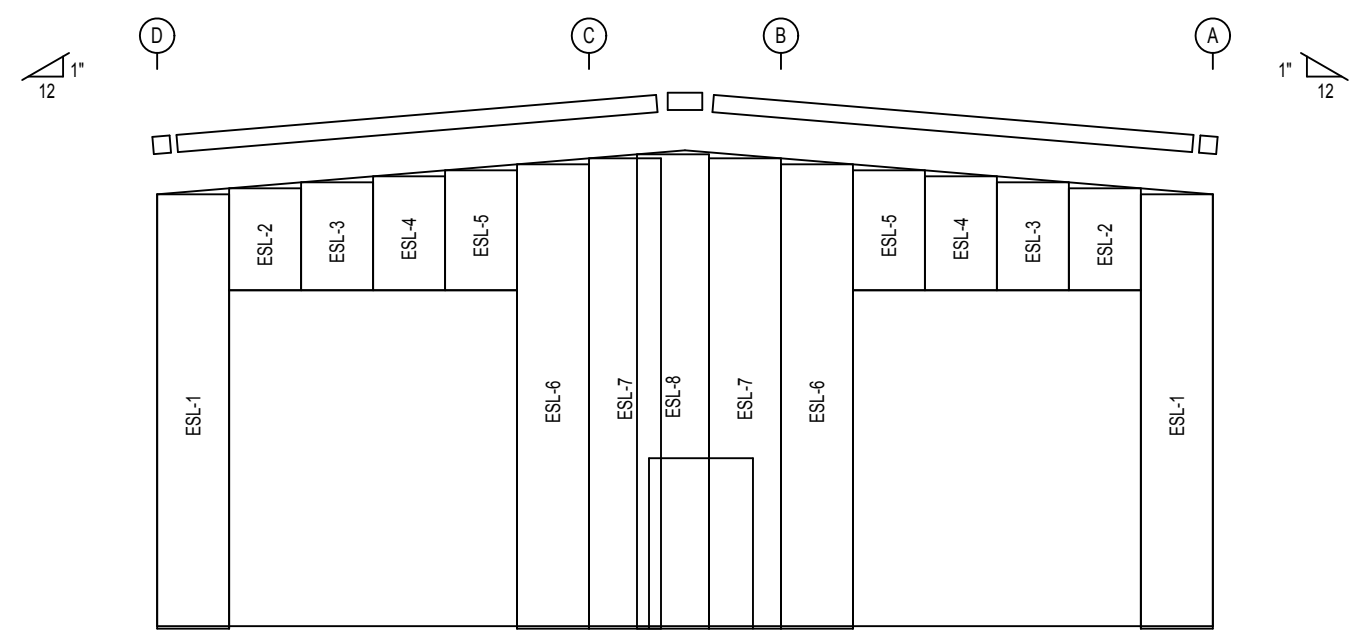
NOT FOR CONSTRUCTION

BOLT TABLE				
FRAME LINE 1				
LOCATION	QUAN	TYPE	DIA	LENGTH
Columns/Raf	8	A325	1/2"	1 1/4"

CONNECTION PLATES	
FRAME LINE 1	
ID	MARK/PART
1	RFCC1
2	d1
3	SC-484



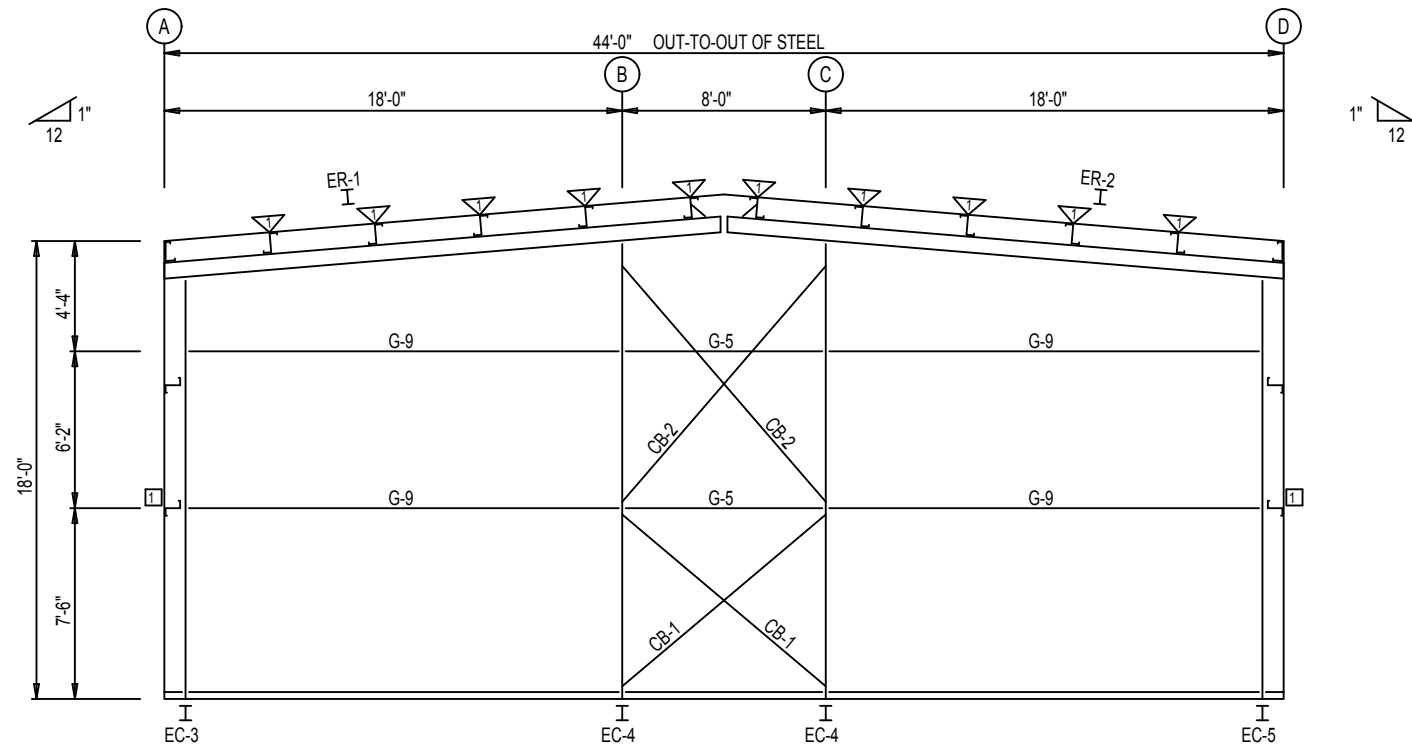
ENDWALL FRAMING: FRAME LINE 1



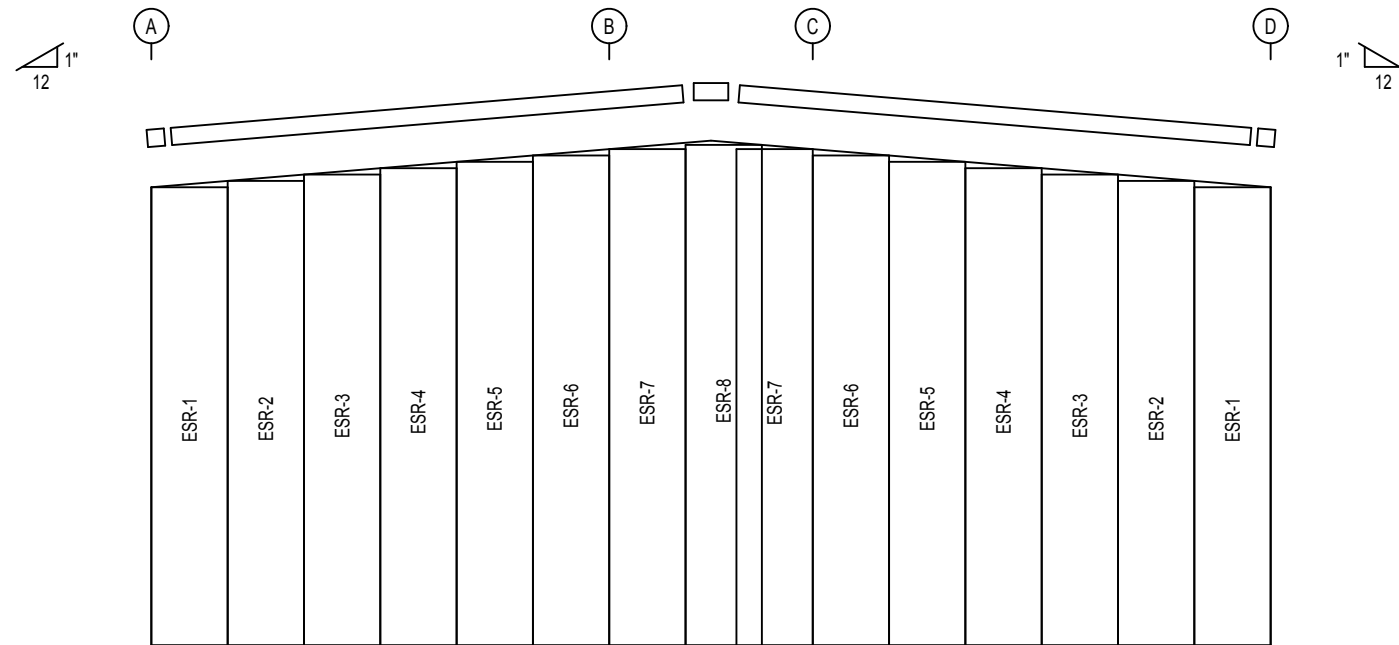
ENDWALL SHEETING & TRIM: FRAME LINE 1

PANELS: 26 Gauge PBR - Polar White

NOT FOR CONSTRUCTION



ENDWALL FRAMING: FRAME LINE 4



ENDWALL SHEETING & TRIM: FRAME LINE 4

PANELS: 26 Gauge PBR - Polar White

BOLT TABLE				
FRAME LINE 4				
LOCATION	QUAN	TYPE	DIA	LENGTH
ER-1/ER-2	8	A325	5/8"	1 3/4"
Columns/Raf	4	A325	1/2"	1 1/4"

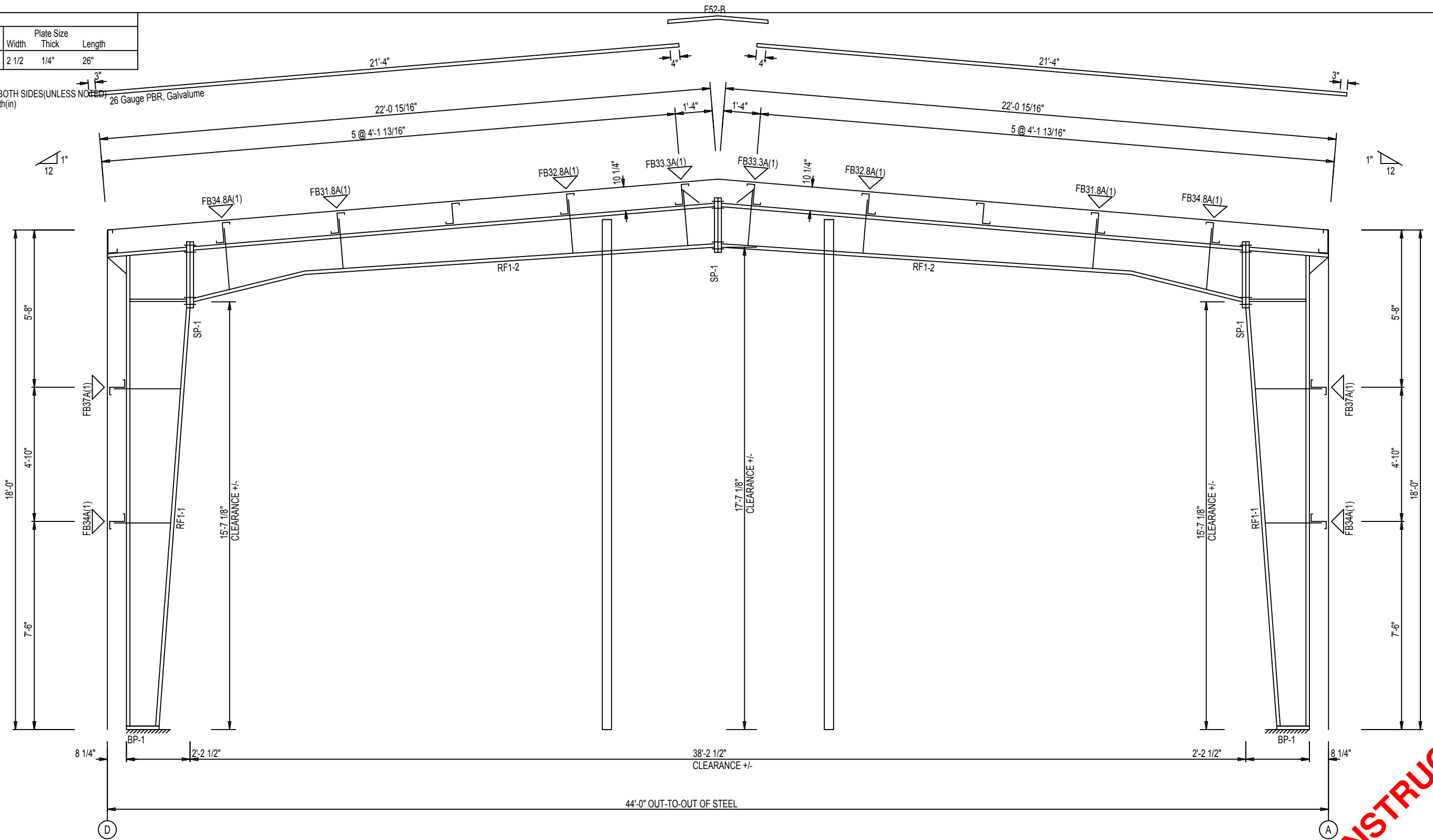
FLANGE BRACE TABLE		
FRAME LINE 4		
▽ ID	PART	LENGTH
FB30.3	L2X2X14G	2'-6 1/4"

CONNECTION PLATES	
FRAME LINE 4	
□ ID	MARK/PART
1	SC-5

NOT FOR CONSTRUCTION

STIFFENER TABLE				
Mark	Stiff Mark	Width	Plate Size Thick	Length
RF1-1	St-1	2 1/2	1/4"	26"

FLANGE BRACES: BOTH SIDES (UNLESS NOTED)
 FBxxA(1); xx=length(in)
 A - L2X2X14G
 26 Gauge PBR, Galvalume



FRAME CROSS SECTION: FRAME LINE 1

NOT FOR CONSTRUCTION