

286639693

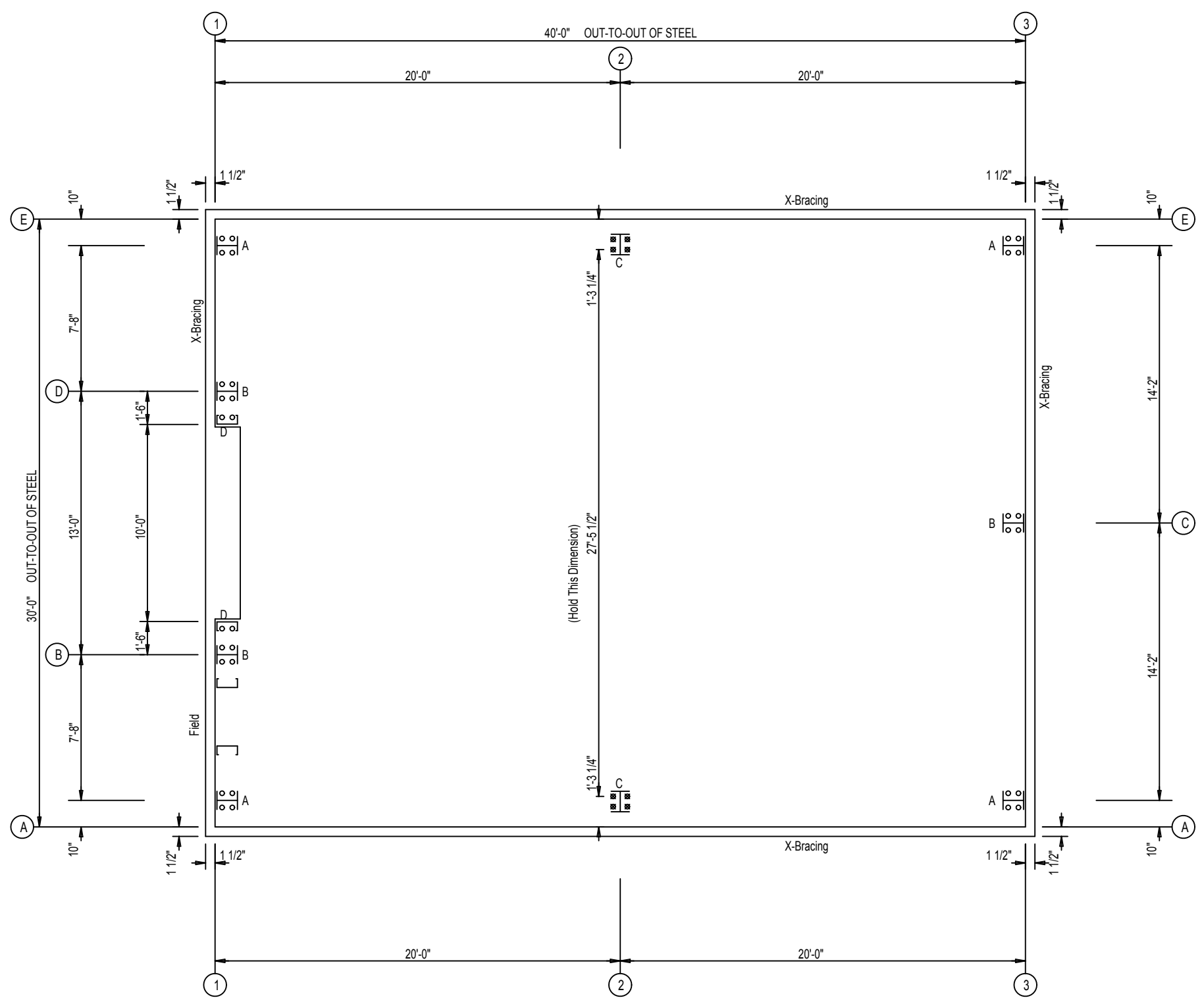
Building Layout

1/31/22

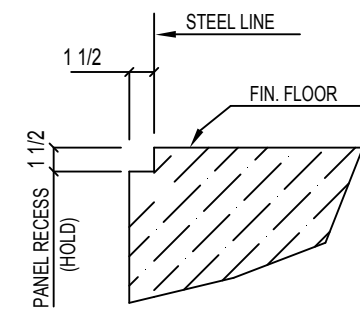
NOT FOR CONSTRUCTION

○ Dia= 5/8"

⊗ Dia= 3/4"

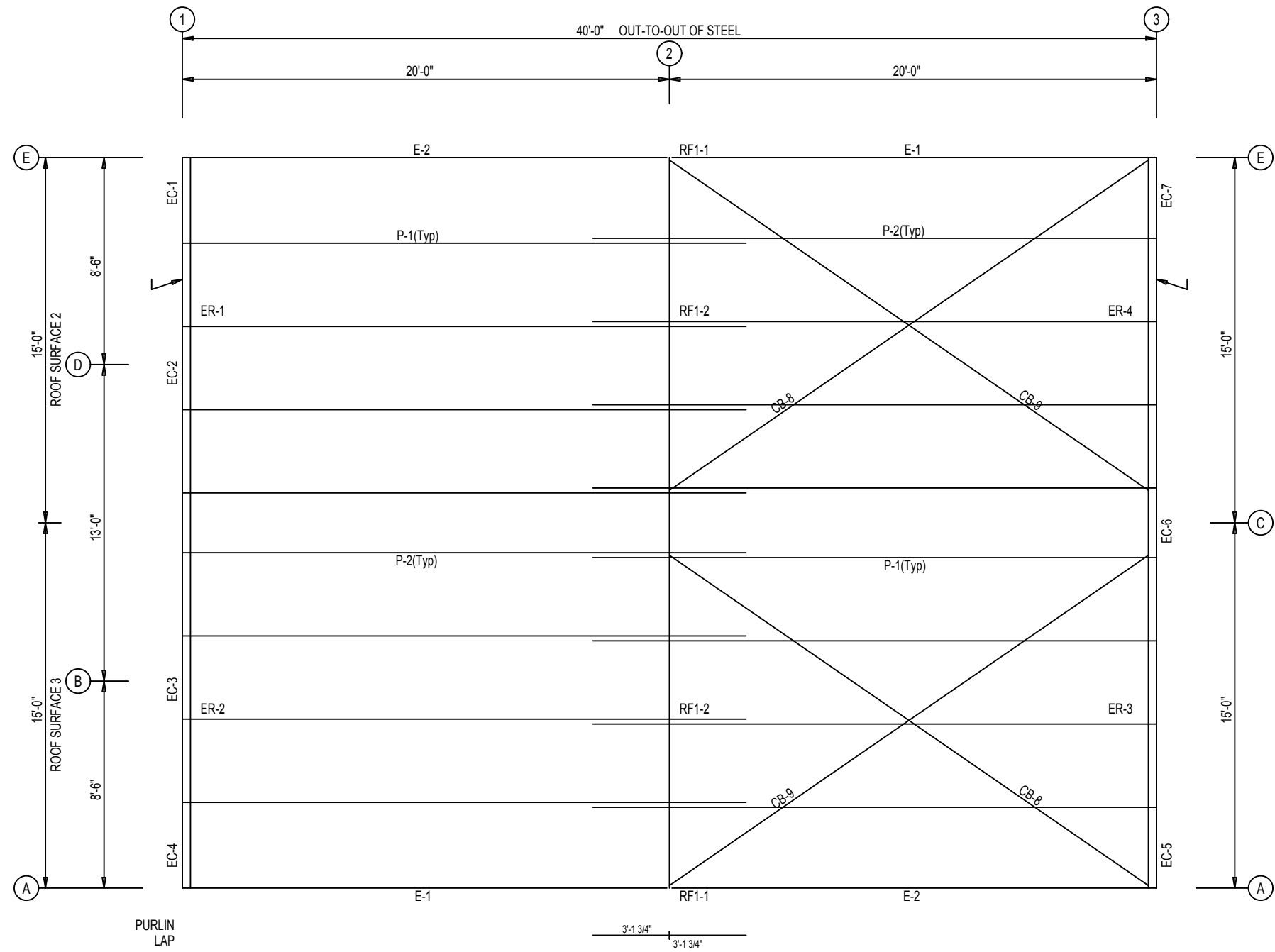


ANCHOR BOLT PLAN

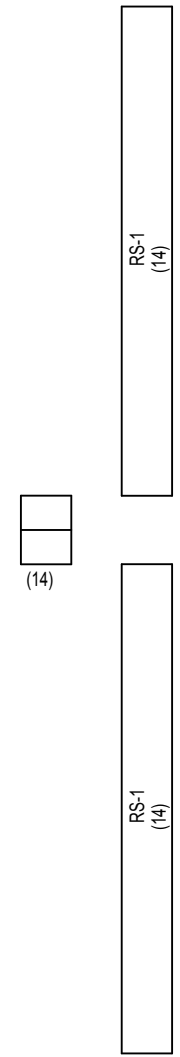


CONCRETE NOTCH DETAIL

NOT FOR CONSTRUCTION

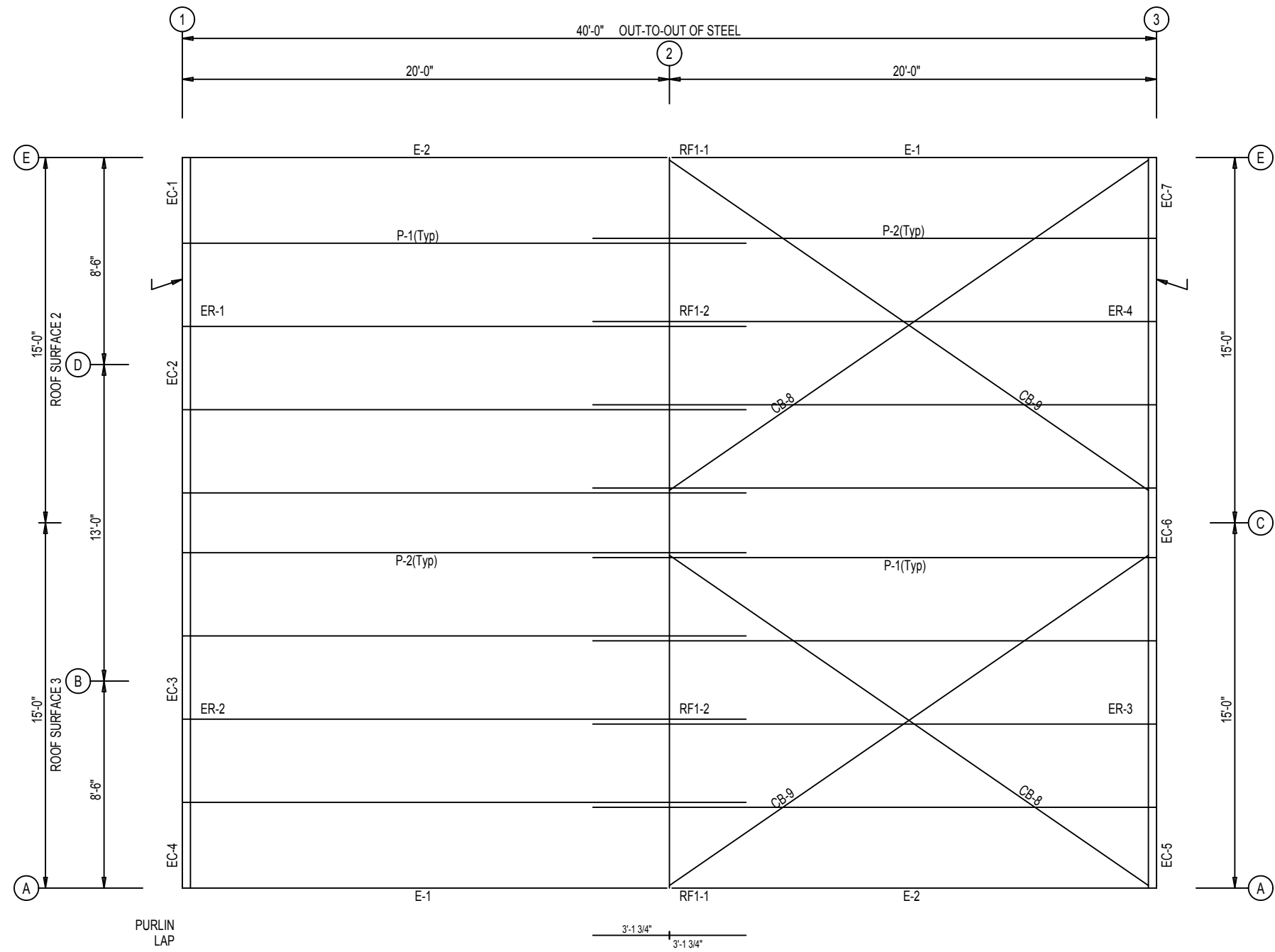


ROOF FRAMING PLAN

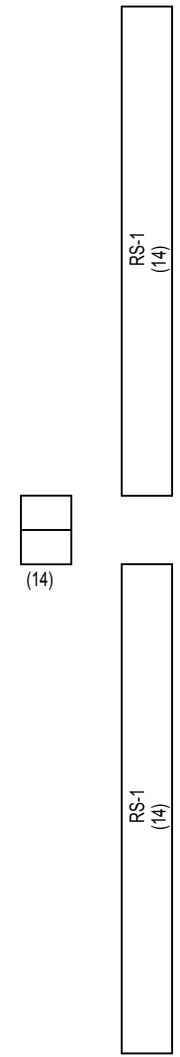


ROOF SHEETING
 PANELS: 26 Gauge PBR
 Desert Sand

NOT FOR CONSTRUCTION

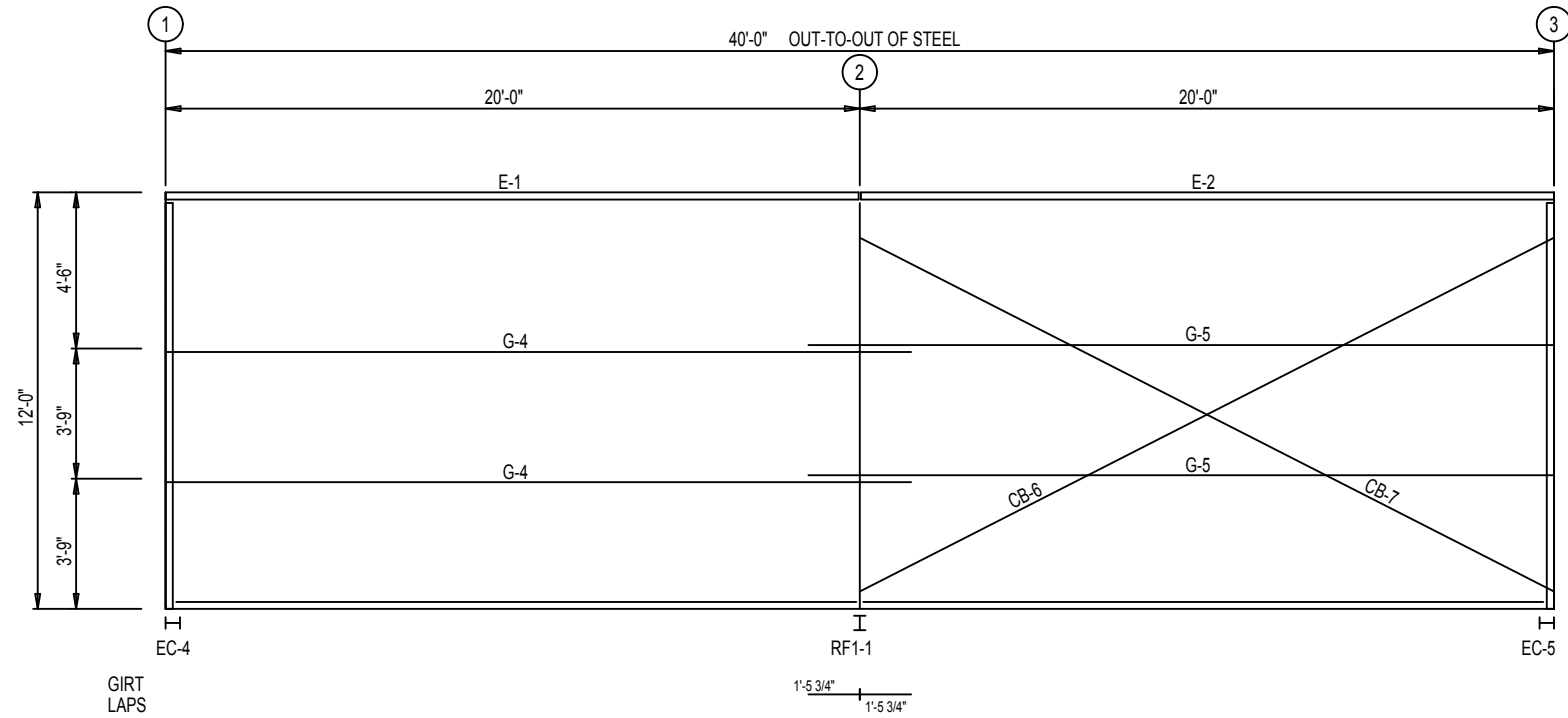


ROOF FRAMING PLAN

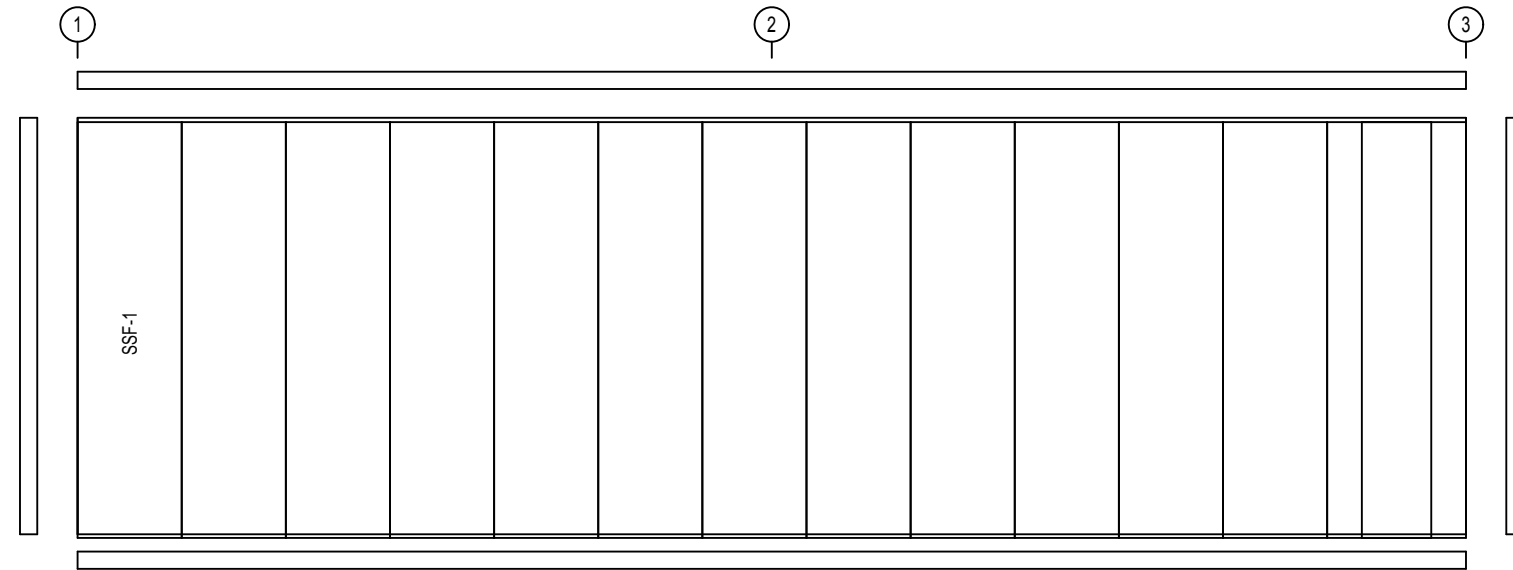


ROOF SHEETING
 PANELS: 26 Gauge PBR
 Desert Sand

NOT FOR CONSTRUCTION



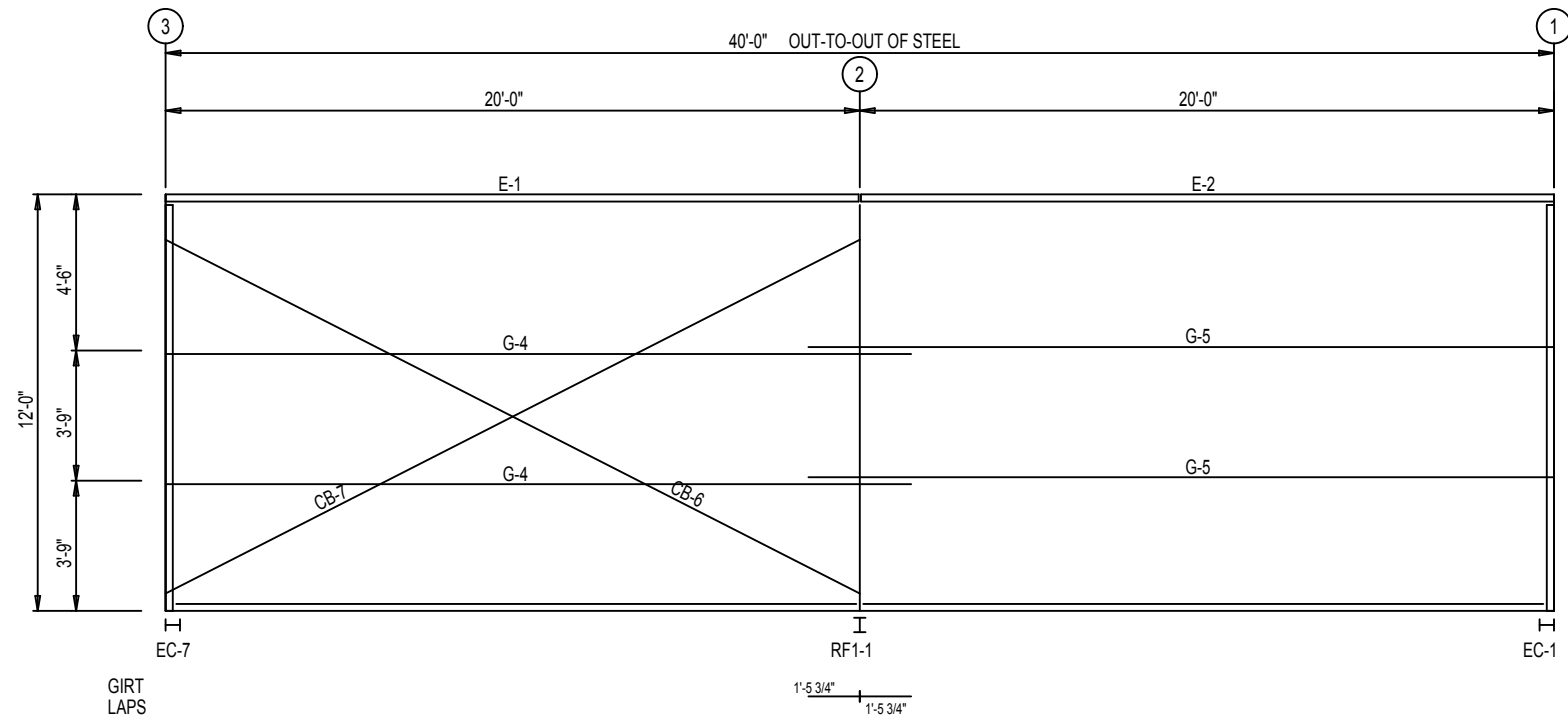
SIDEWALL FRAMING: FRAME LINE A



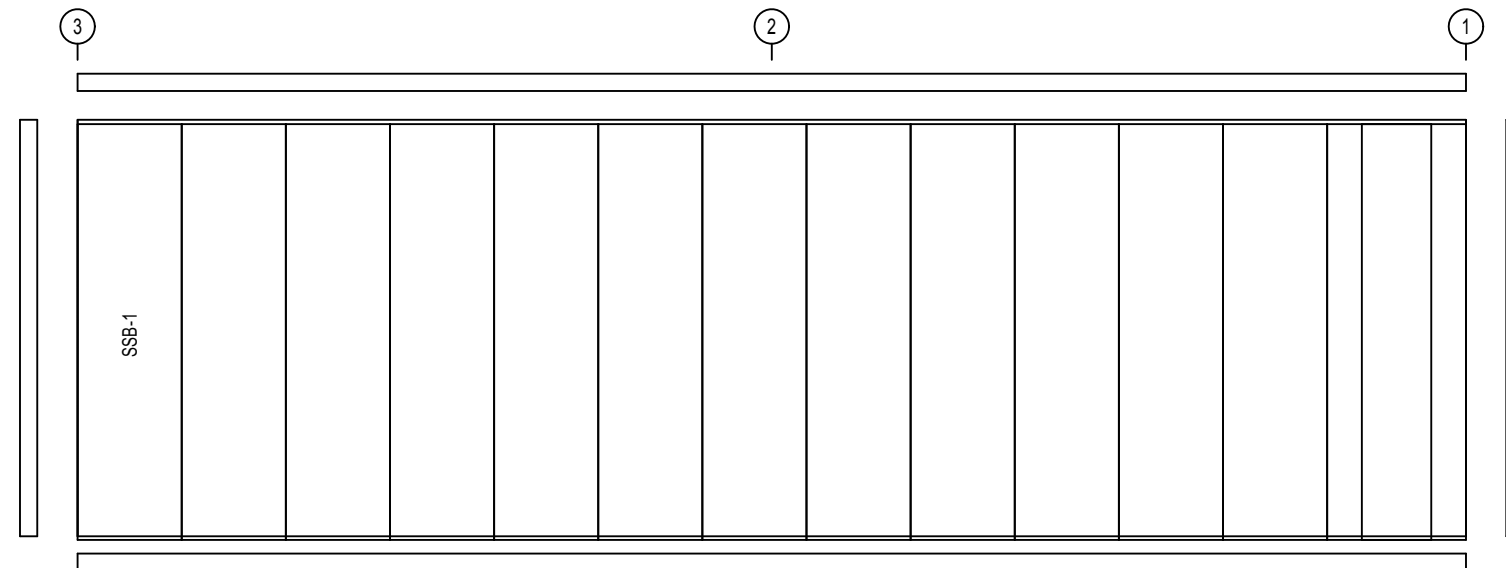
SIDEWALL SHEETING & TRIM: FRAME LINE A

PANELS: 26 Gauge PBR - Desert Sand

NOT FOR CONSTRUCTION



SIDEWALL FRAMING: FRAME LINE E



SIDEWALL SHEETING & TRIM: FRAME LINE E

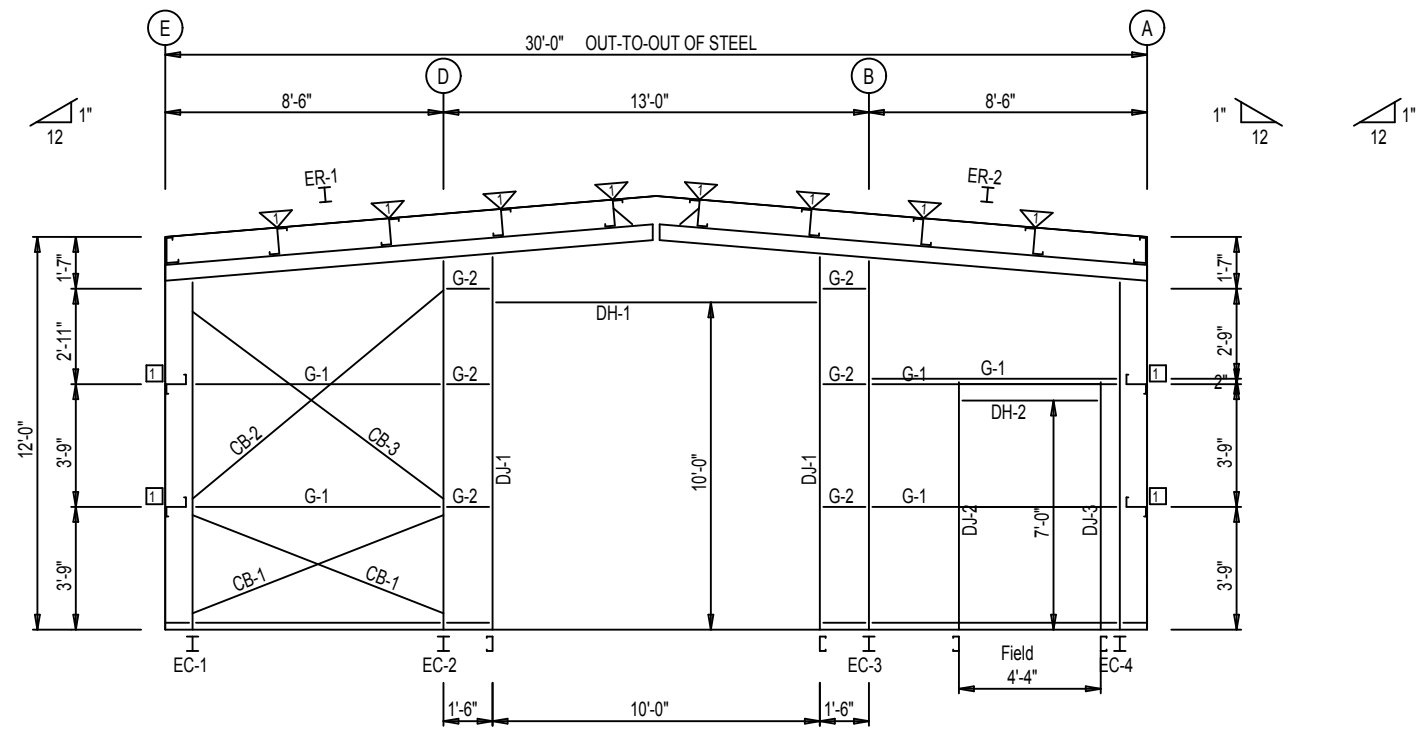
PANELS: 26 Gauge PBR - Desert Sand

NOT FOR CONSTRUCTION

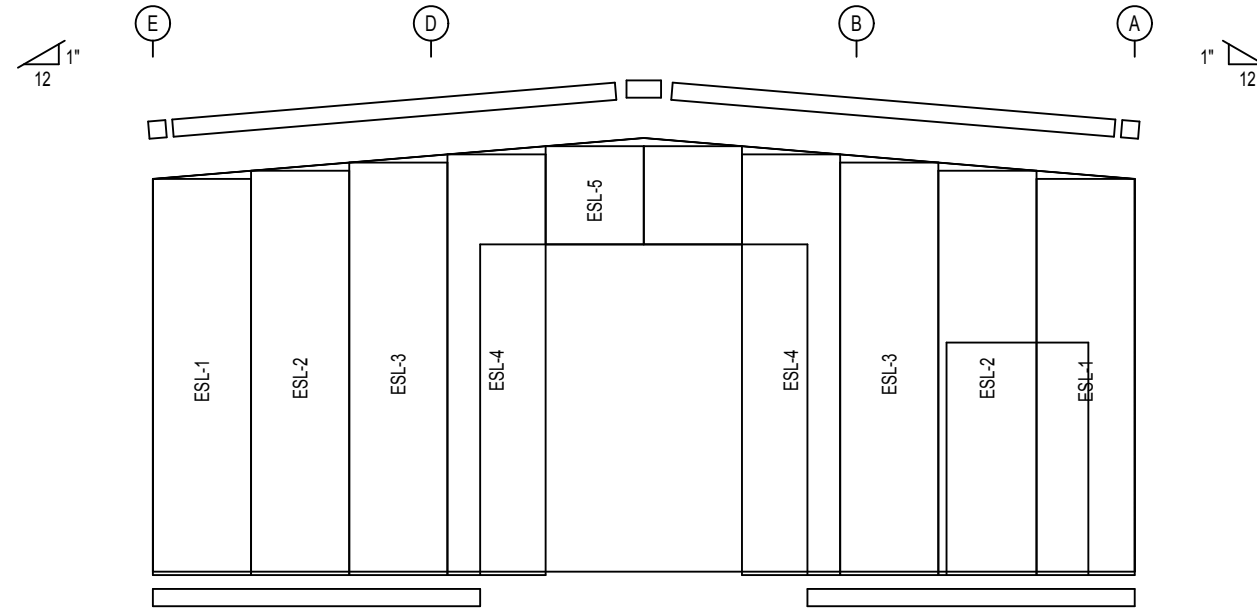
BOLT TABLE FRAME LINE 1				
LOCATION	QUAN	TYPE	DIA	LENGTH
ER-1/ER-2	8	A325	5/8"	1 3/4"
Columns/Raf	4	A325	1/2"	1 1/4"
Jamb	2	A325	1/2"	1 1/4"

FLANGE BRACE TABLE FRAME LINE 1		
▽ ID	PART	LENGTH
FB29.5	L2X2X14G	2'-5 1/2"

CONNECTION PLATES FRAME LINE 1	
□ ID	MARK/PART
1	SC-5



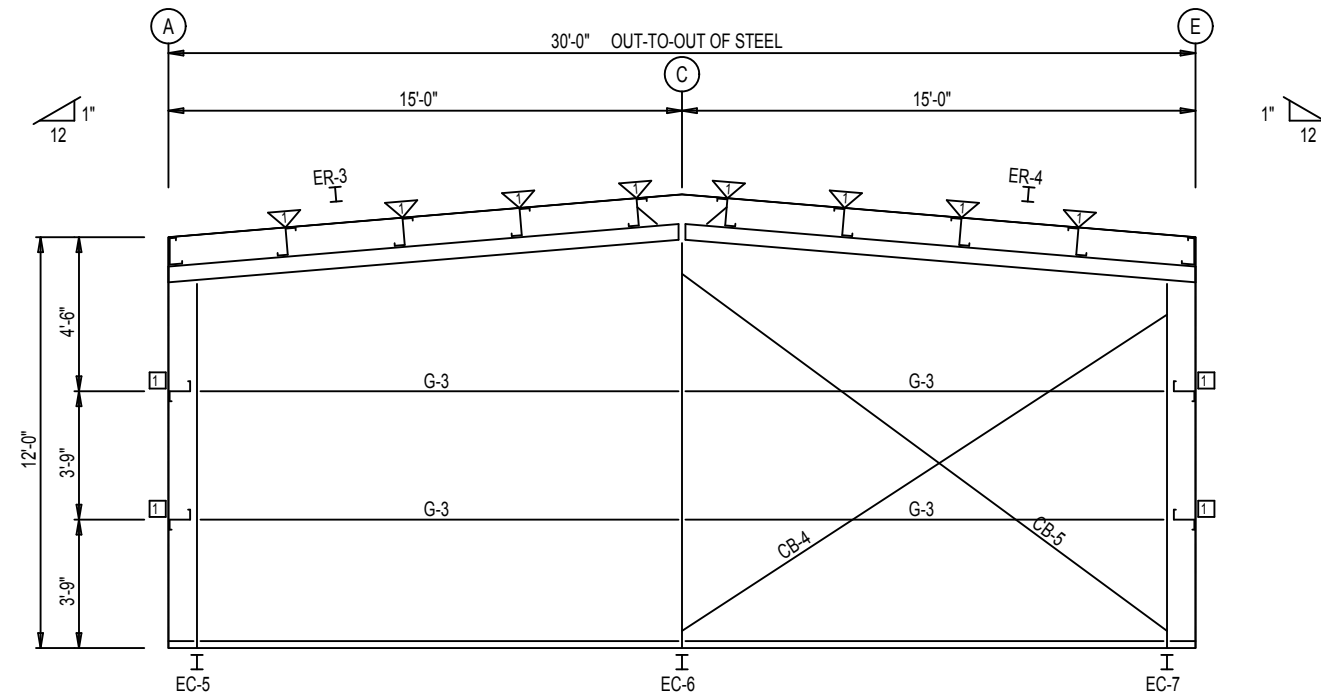
ENDWALL FRAMING: FRAME LINE 1



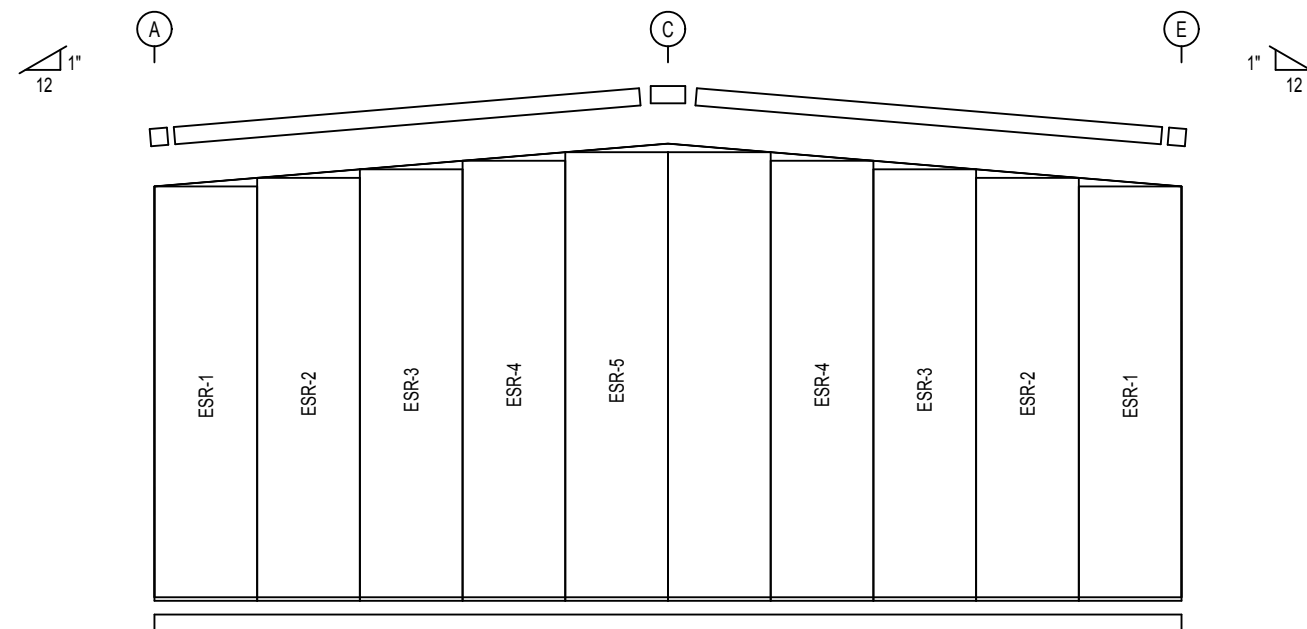
ENDWALL SHEETING & TRIM: FRAME LINE 1

PANELS: 26 Gauge PBR - Desert Sand

NOT FOR CONSTRUCTION



ENDWALL FRAMING: FRAME LINE 3



ENDWALL SHEETING & TRIM: FRAME LINE 3

PANELS: 26 Gauge PBR - Desert Sand

BOLT TABLE				
FRAME LINE 3				
LOCATION	QUAN	TYPE	DIA	LENGTH
ER-3/ER-4	8	A325	5/8"	2"
Cor. Column/Raf	4	A325	1/2"	1 1/4"
EC-6/ER-4	4	A325	5/8"	1 1/4"

FLANGE BRACE TABLE		
FRAME LINE 3		
▽ ID	PART	LENGTH
FB29.5	L2X2X14G	2'-5 1/2"

CONNECTION PLATES	
FRAME LINE 3	
□ ID	MARK/PART
1	SC-5

NOT FOR CONSTRUCTION