

286640814

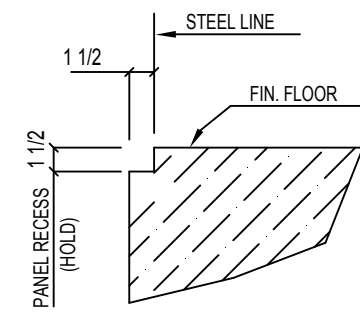
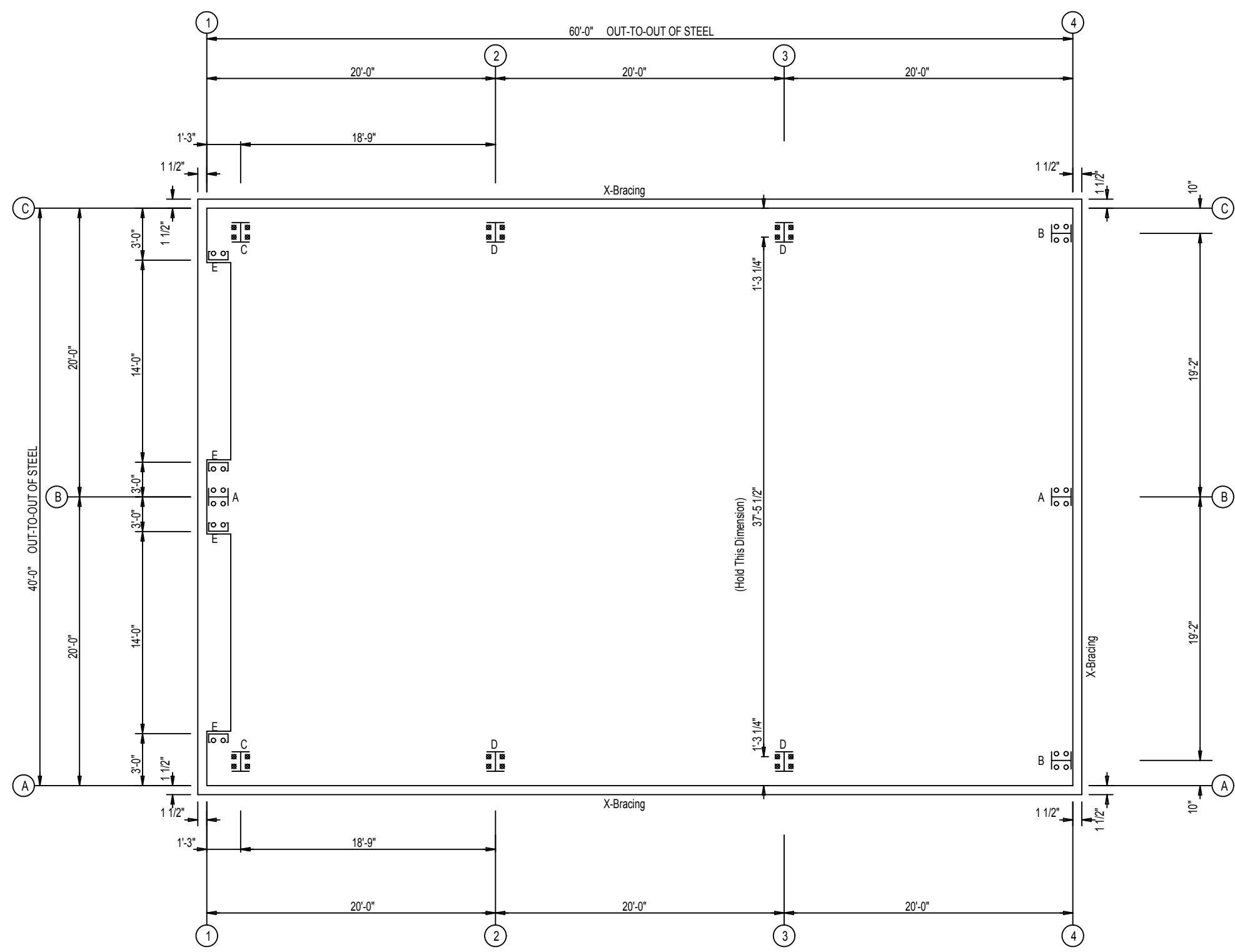
Building Layout

1/31/22

NOT FOR CONSTRUCTION

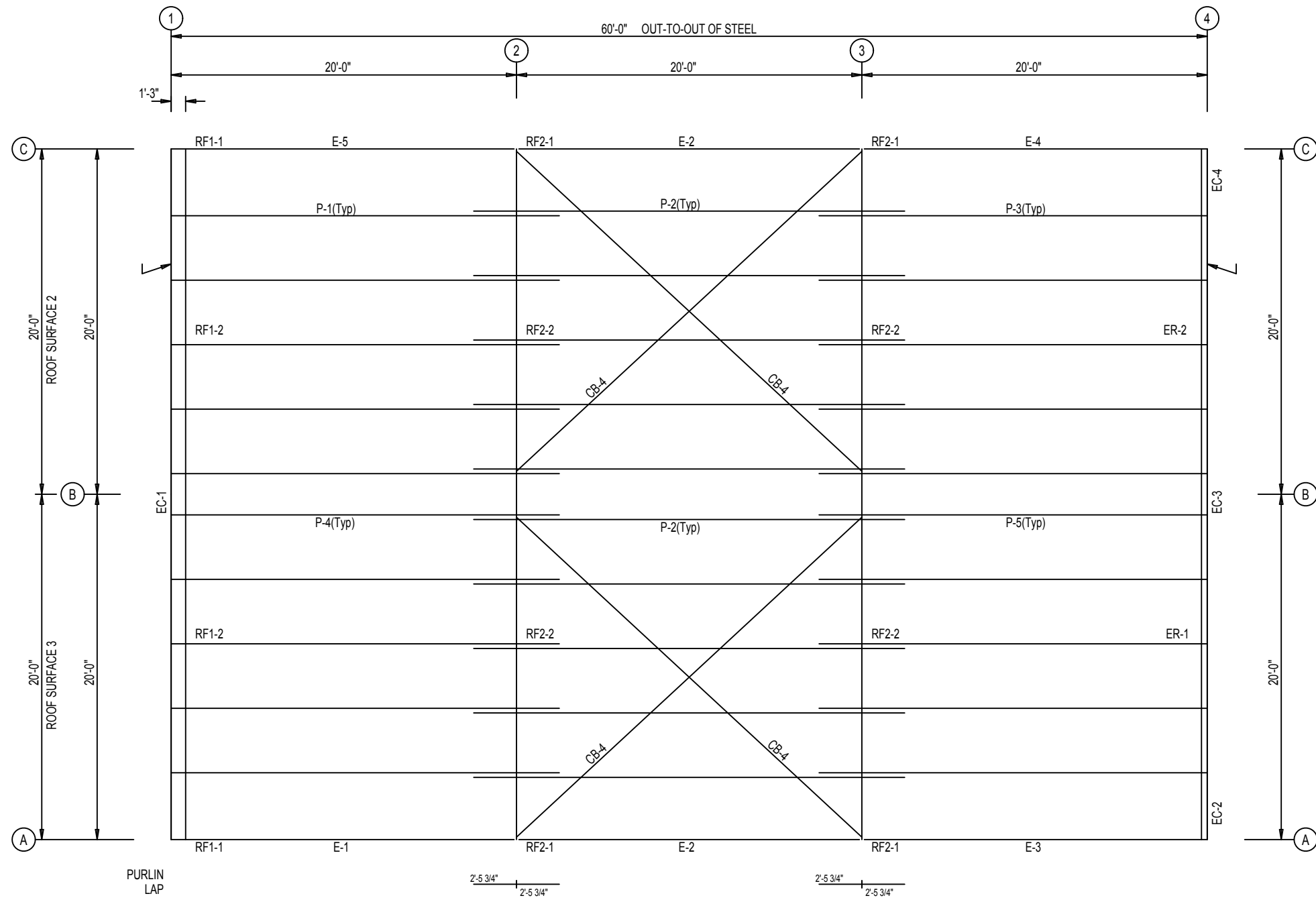
○ Dia= 5/8"

⊗ Dia= 3/4"

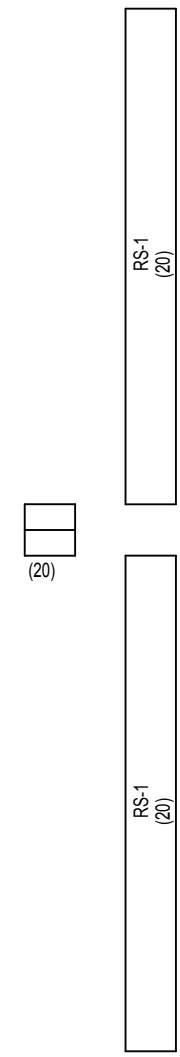


CONCRETE NOTCH DETAIL

NOT FOR CONSTRUCTION



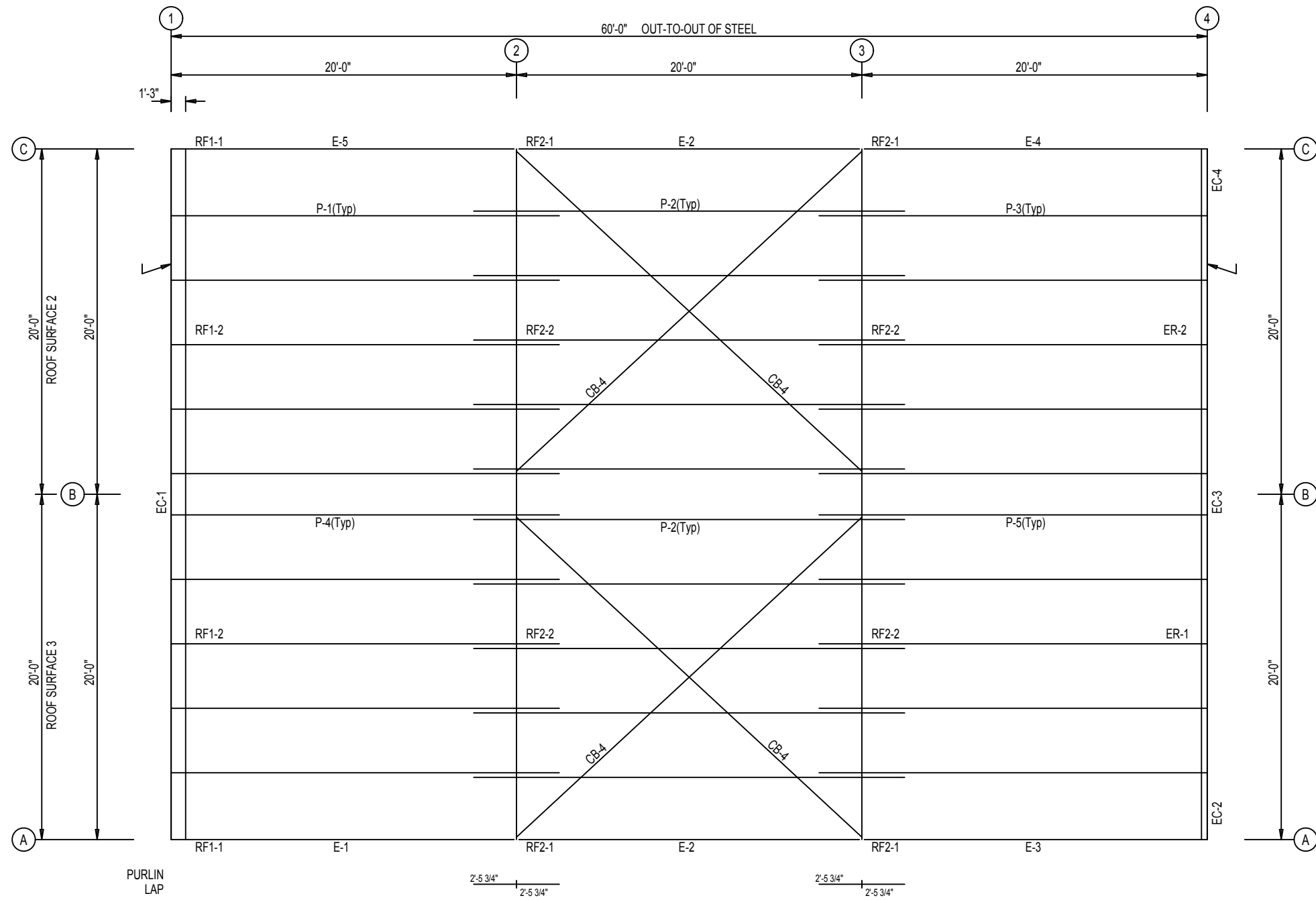
ROOF FRAMING PLAN



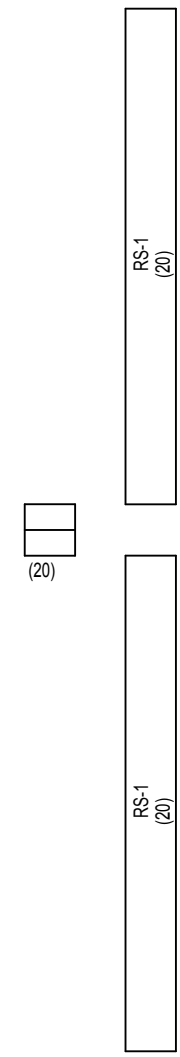
ROOF SHEETING

PANELS: 26 Gauge PBR
Desert Sand

NOT FOR CONSTRUCTION



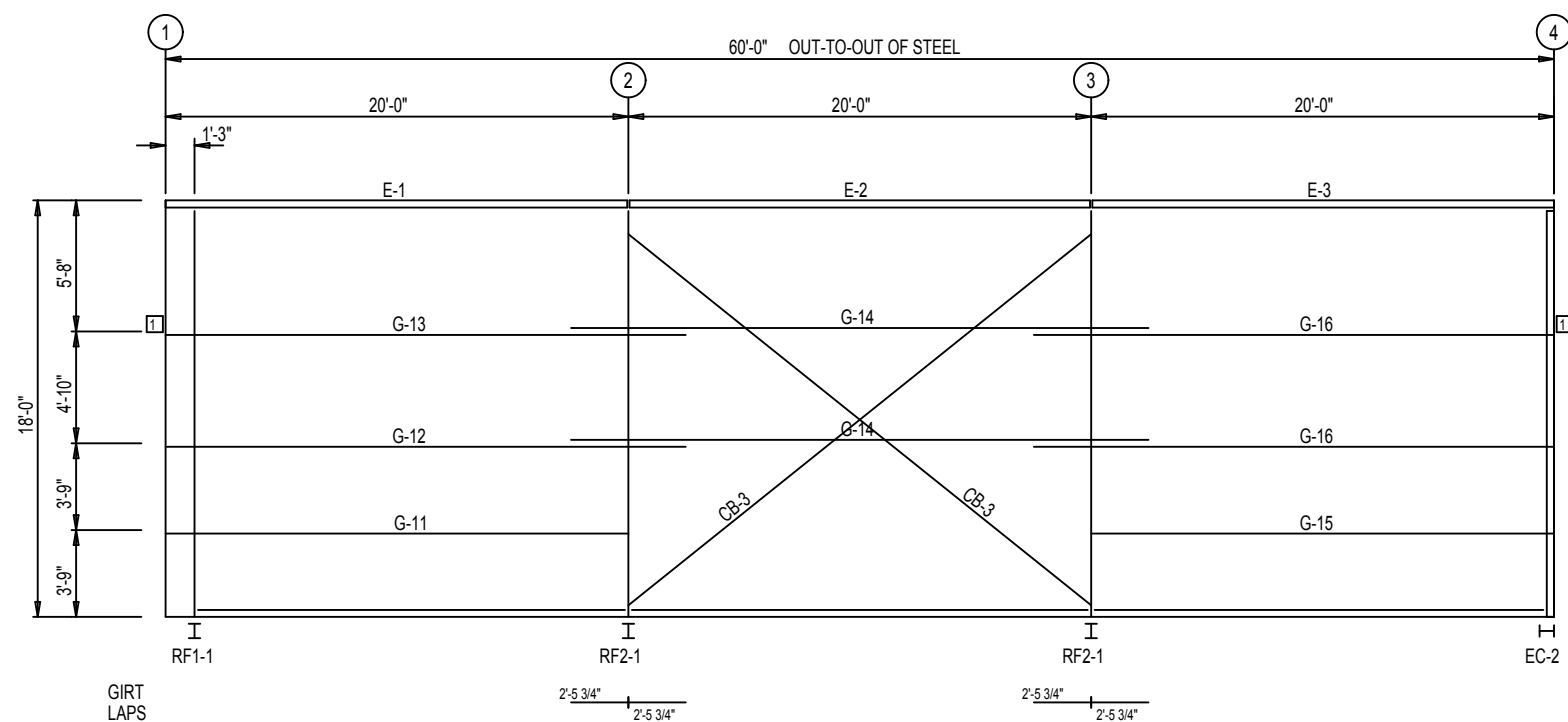
ROOF FRAMING PLAN



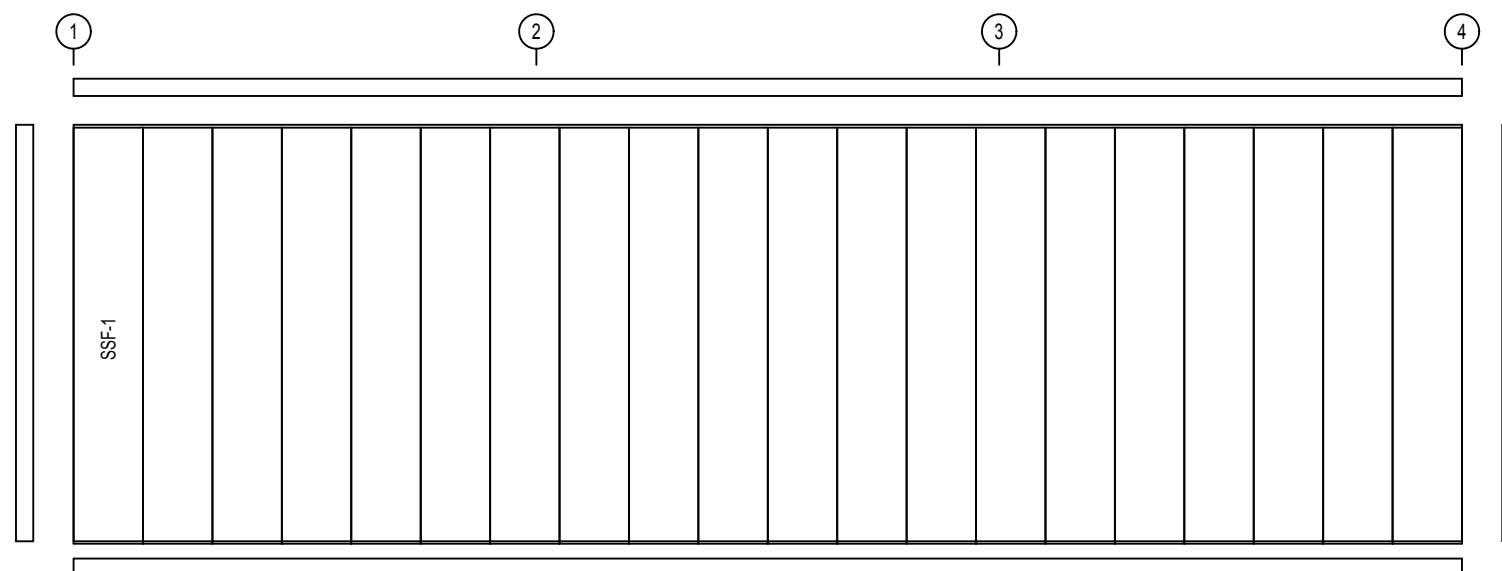
ROOF SHEETING
 PANELS: 26 Gauge PBR
 Desert Sand

NOT FOR CONSTRUCTION

CONNECTION PLATES	
FRAME LINE A	
ID	MARK/PART
1	SC-5



SIDEWALL FRAMING: FRAME LINE A

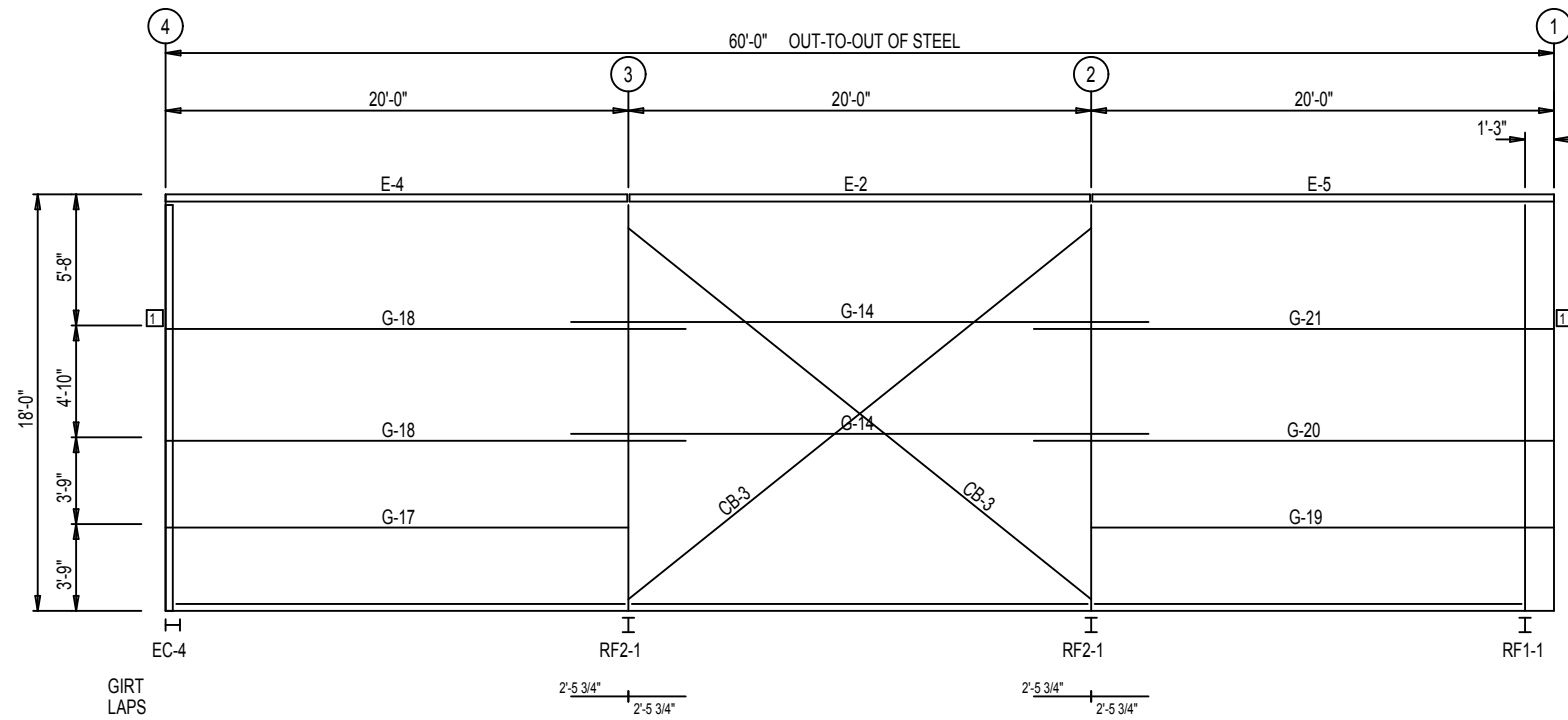


SIDEWALL SHEETING & TRIM: FRAME LINE A

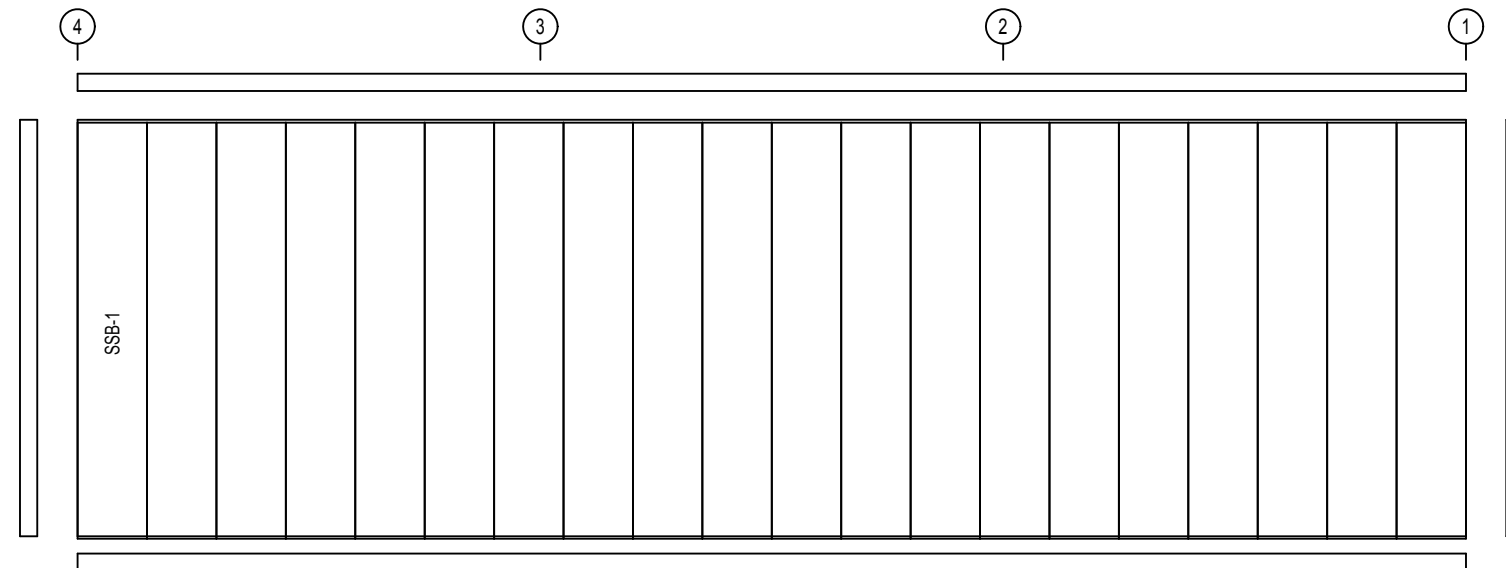
PANELS: 26 Gauge PBR - Desert Sand

NOT FOR CONSTRUCTION

CONNECTION PLATES	
FRAME LINE C	
ID	MARK/PART
1	SC-5



SIDEWALL FRAMING: FRAME LINE C



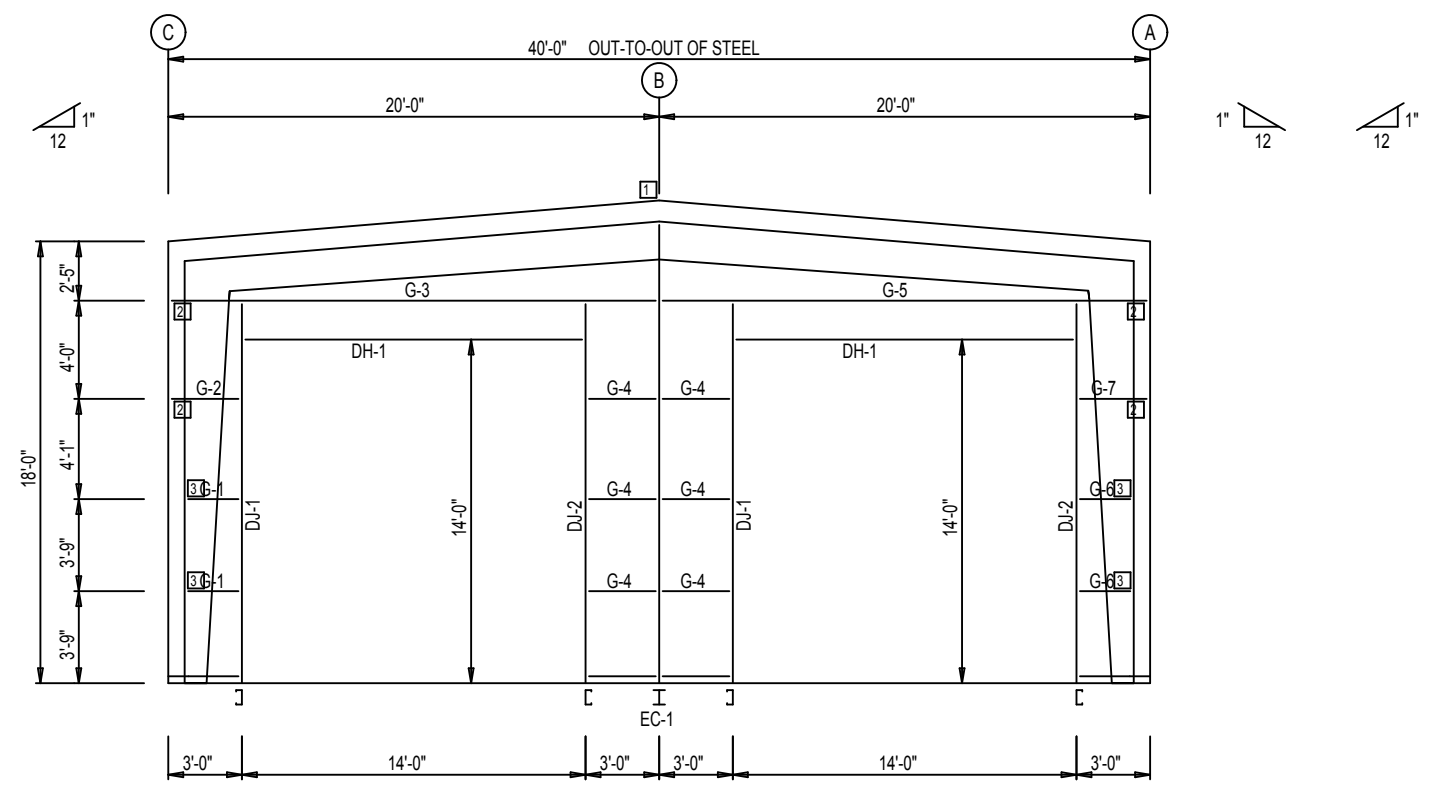
SIDEWALL SHEETING & TRIM: FRAME LINE C

PANELS: 26 Gauge PBR - Desert Sand

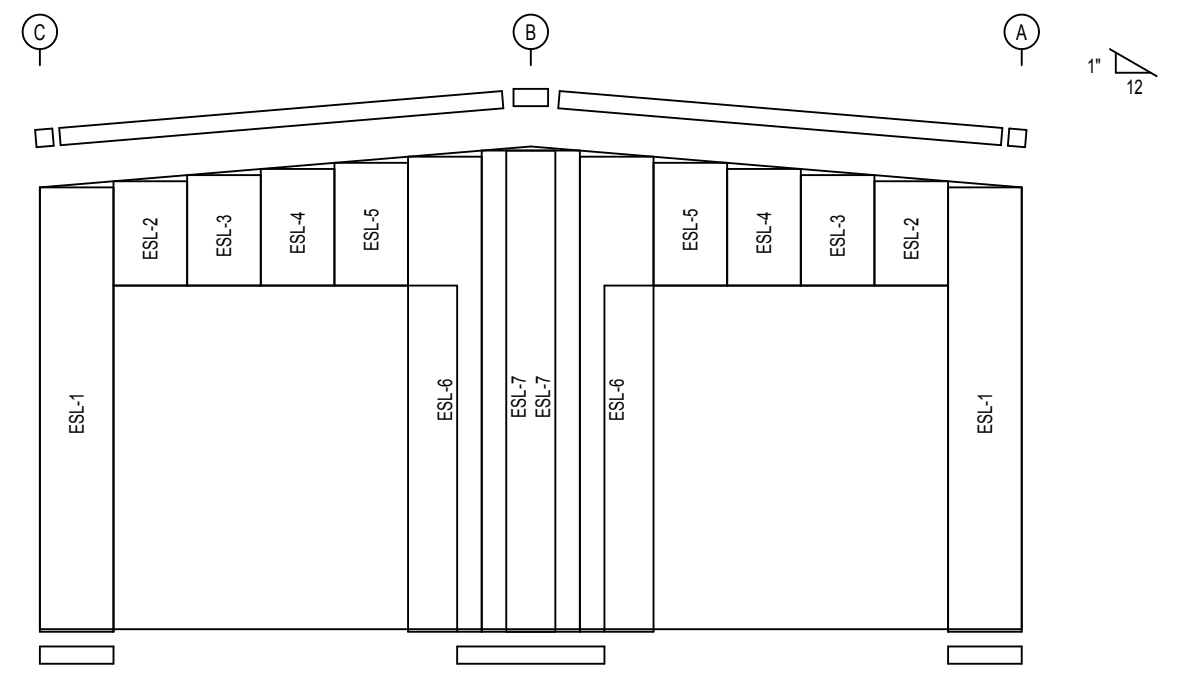
NOT FOR CONSTRUCTION

BOLT TABLE				
FRAME LINE 1				
LOCATION	QUAN	TYPE	DIA	LENGTH
Columns/Raf	8	A325	1/2"	1 1/4"

CONNECTION PLATES	
FRAME LINE 1	
ID	MARK/PART
1	RFCC1
2	d1
3	r1



ENDWALL FRAMING: FRAME LINE 1



ENDWALL SHEETING & TRIM: FRAME LINE 1

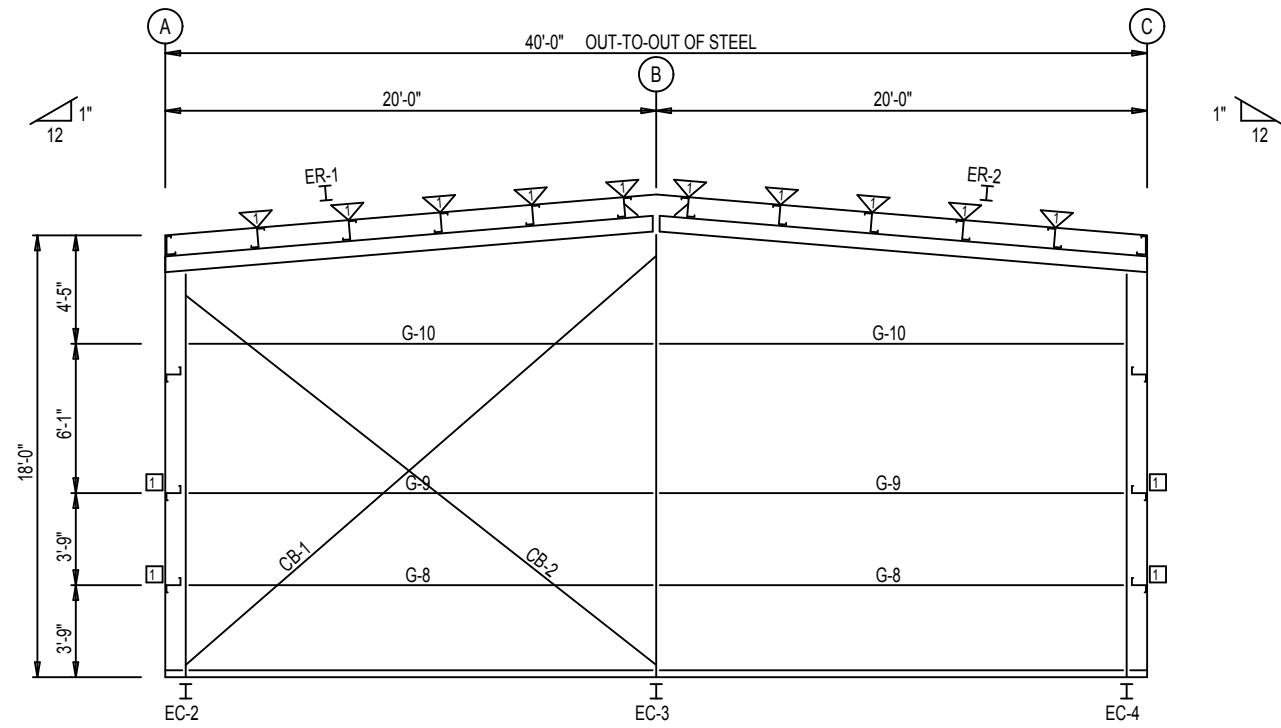
PANELS: 26 Gauge PBR - Desert Sand

NOT FOR CONSTRUCTION

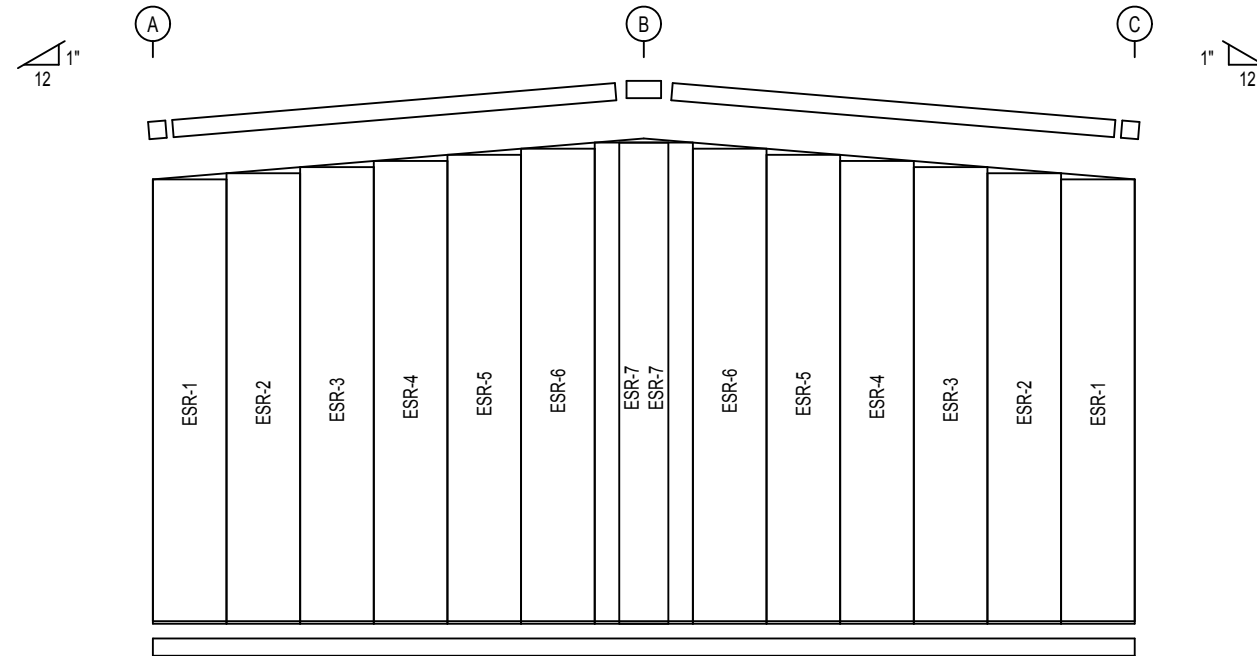
BOLT TABLE FRAME LINE 4				
LOCATION	QUAN	TYPE	DIA	LENGTH
ER-1/ER-2	8	A325	5/8"	2"
Cor_Column/Raf	4	A325	1/2"	1 1/4"
EC-3/ER-2	4	A325	5/8"	1 1/4"

FLANGE BRACE TABLE FRAME LINE 4		
▽ ID	PART	LENGTH
FB31	L2X2X14G	2'-7"

CONNECTION PLATES FRAME LINE 4	
□ ID	MARK/PART
1	SC-5



ENDWALL FRAMING: FRAME LINE 4



ENDWALL SHEETING & TRIM: FRAME LINE 4

PANELS: 26 Gauge PBR - Desert Sand

NOT FOR CONSTRUCTION