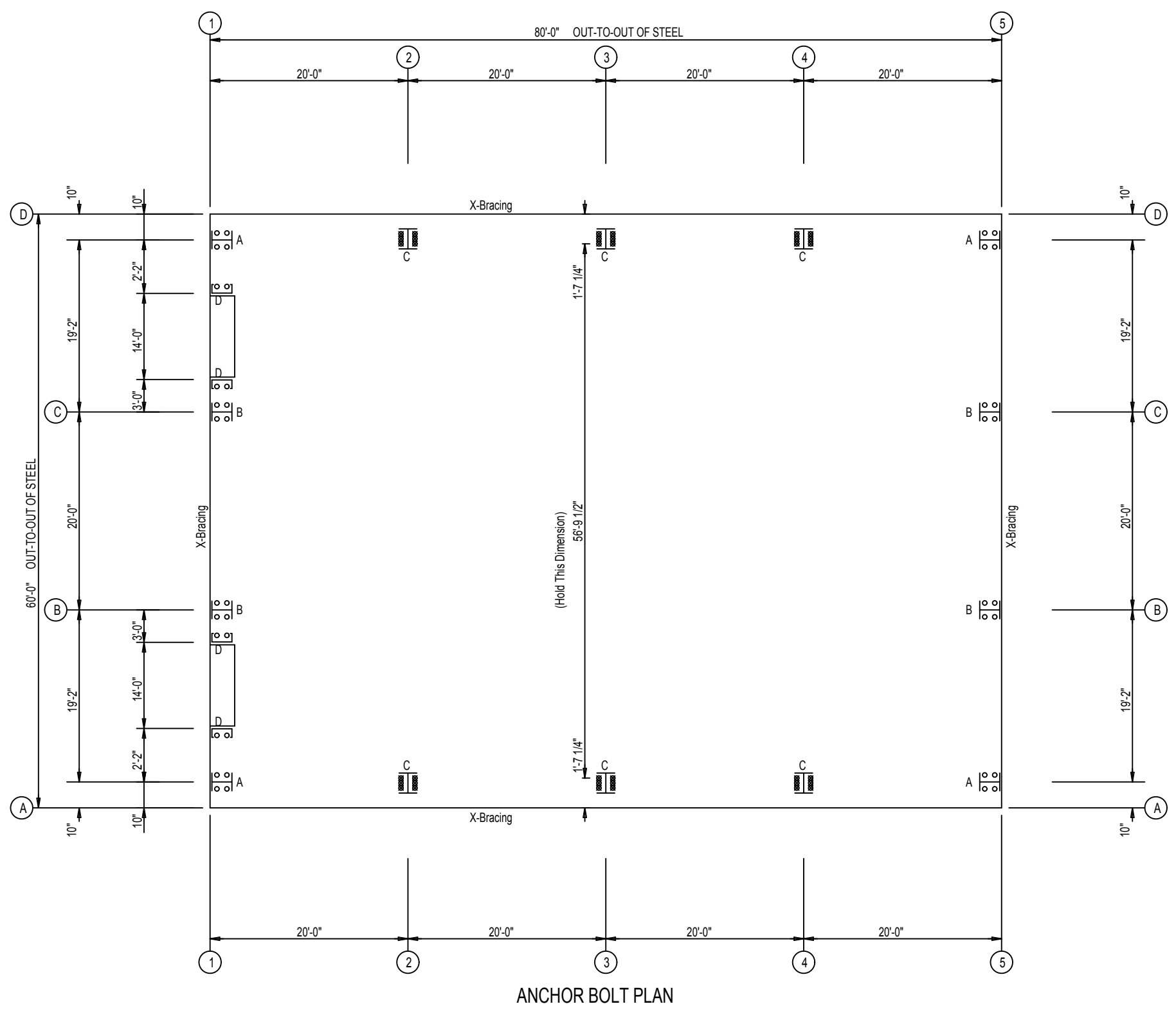


NOT FOR CONSTRUCTION

○ Dia= 5/8"

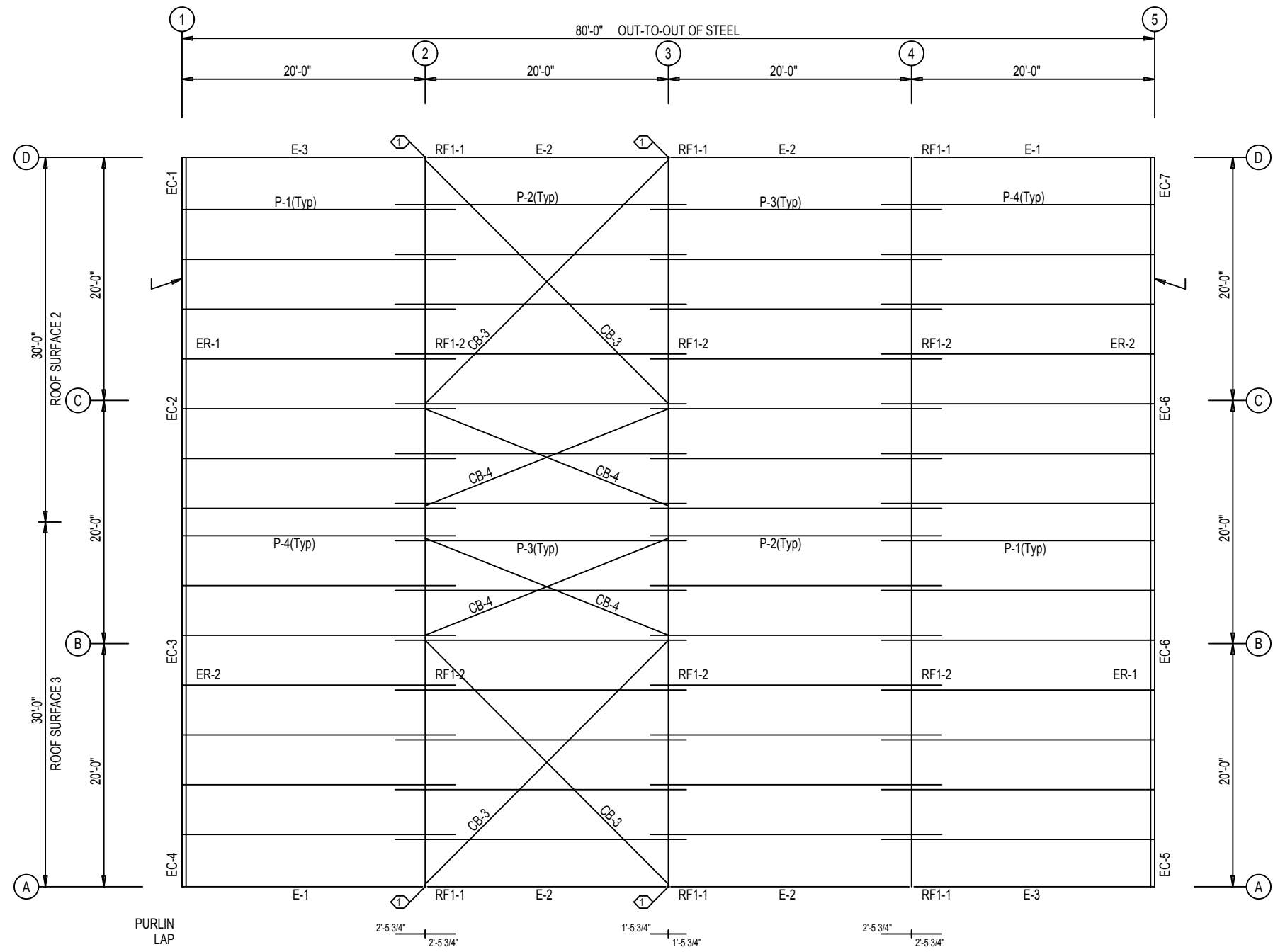
⊗ Dia= 3/4"



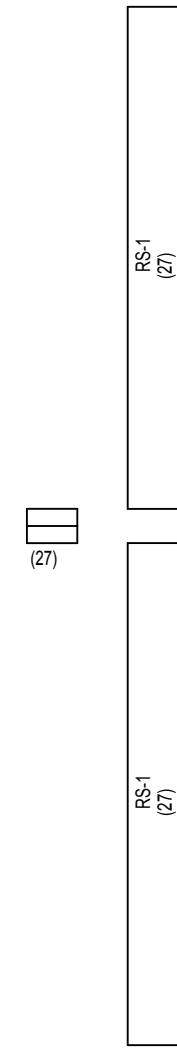
ANCHOR BOLT PLAN

NOT FOR CONSTRUCTION

SPECIAL BOLTS					
ROOF PLAN					
ID	QUAN	TYPE	DIA	LENGTH	WASH
1	2	A325	1/2"	1 1/4"	2



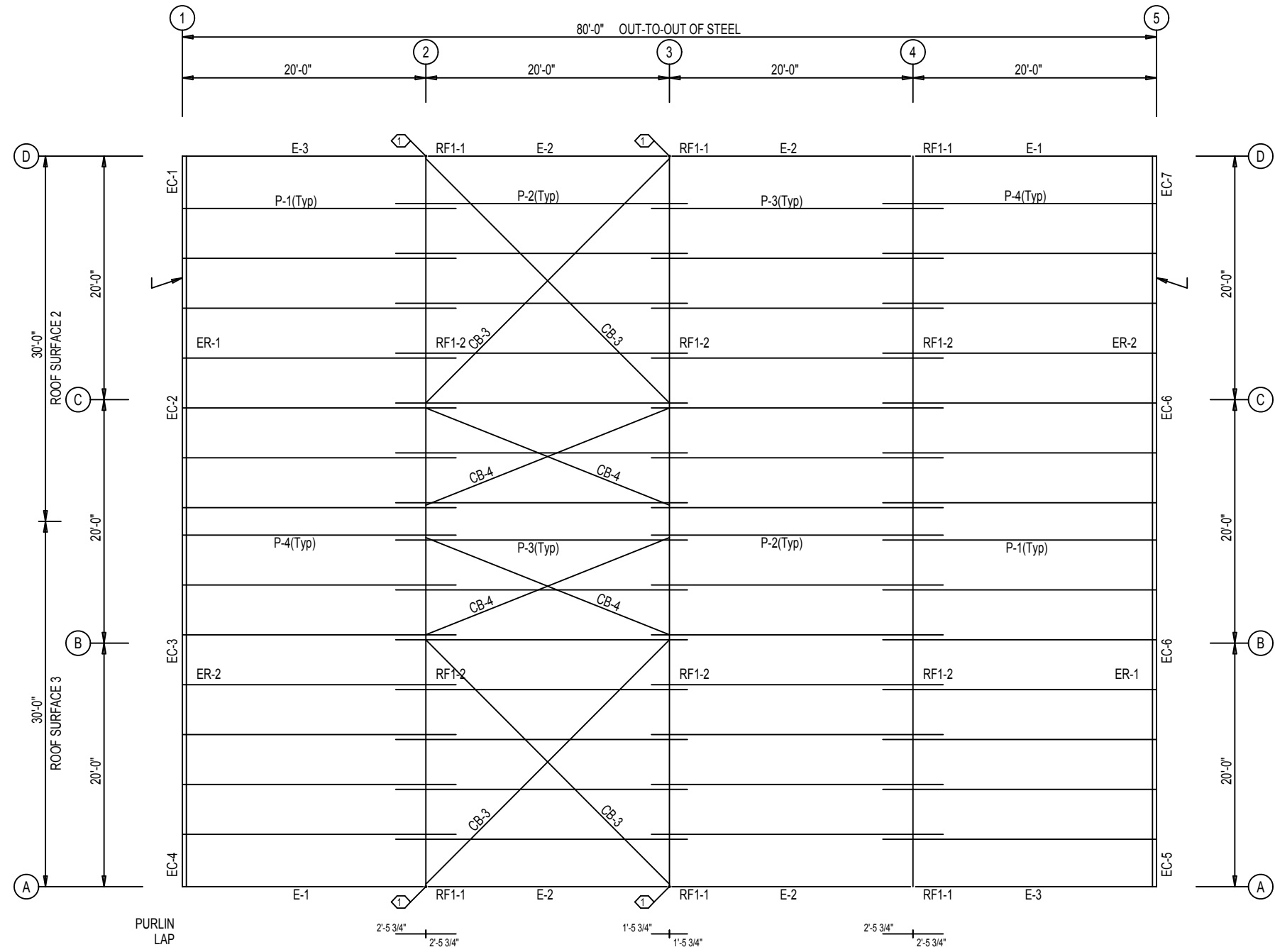
ROOF FRAMING PLAN



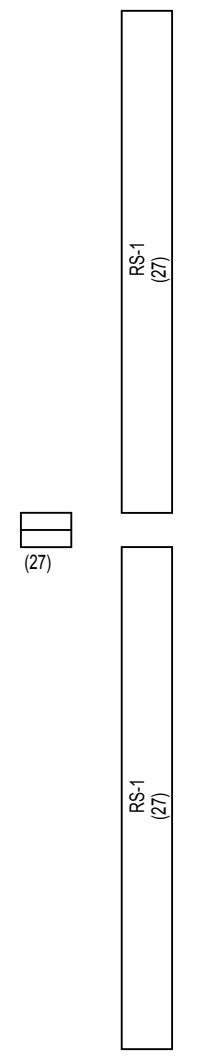
ROOF SHEETING
 PANELS: 26 Gauge PBR
 Desert Sand

NOT FOR CONSTRUCTION

SPECIAL BOLTS					
ROOF PLAN					
ID	QUAN	TYPE	DIA	LENGTH	WASH
1	2	A325	1/2"	1 1/4"	2



ROOF FRAMING PLAN

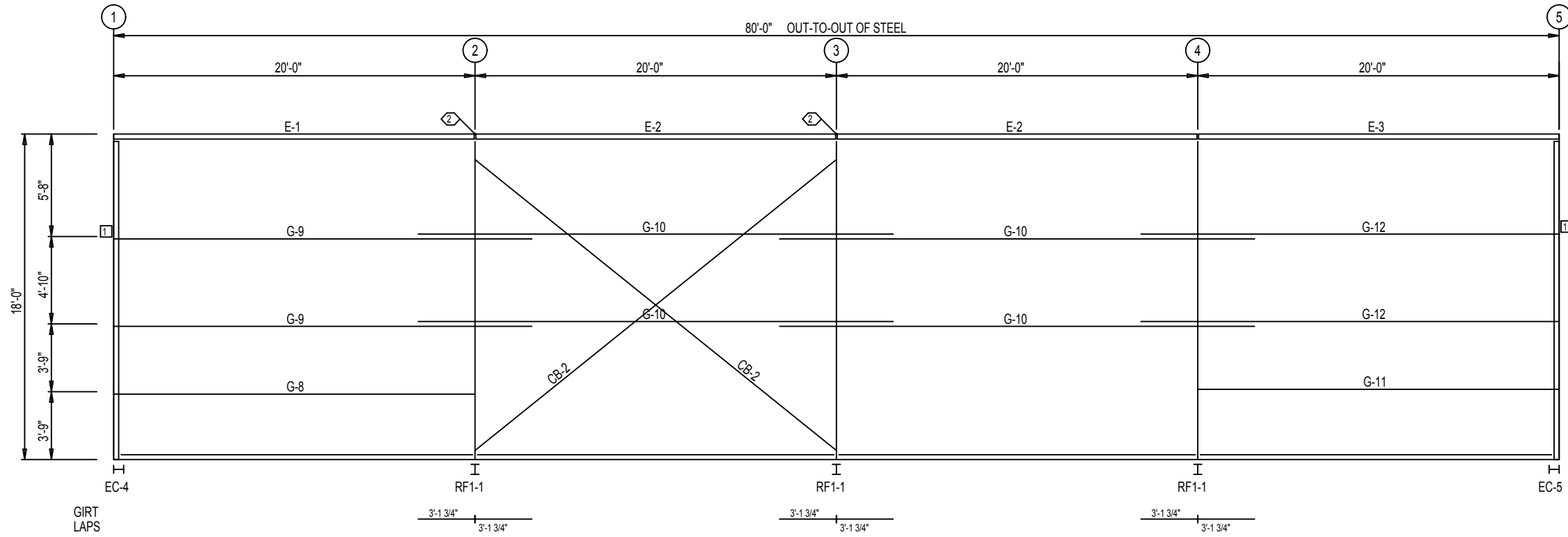


ROOF SHEETING
PANELS: 26 Gauge PBR
Desert Sand

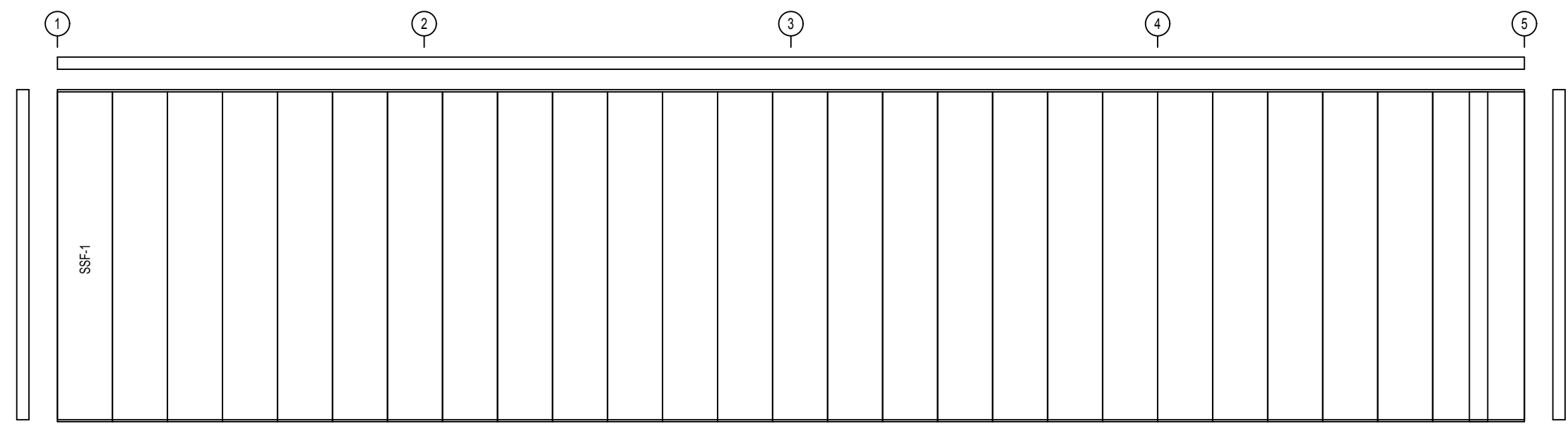
NOT FOR CONSTRUCTION

SPECIAL BOLTS					
ID	QUAN	TYPE	DIA	LENGTH	WASH
2	2	A325	1/2"	1 1/4"	2

CONNECTION PLATES	
FRAME LINE A	
ID	MARK/PART
1	SC-5



SIDEWALL FRAMING: FRAME LINE A



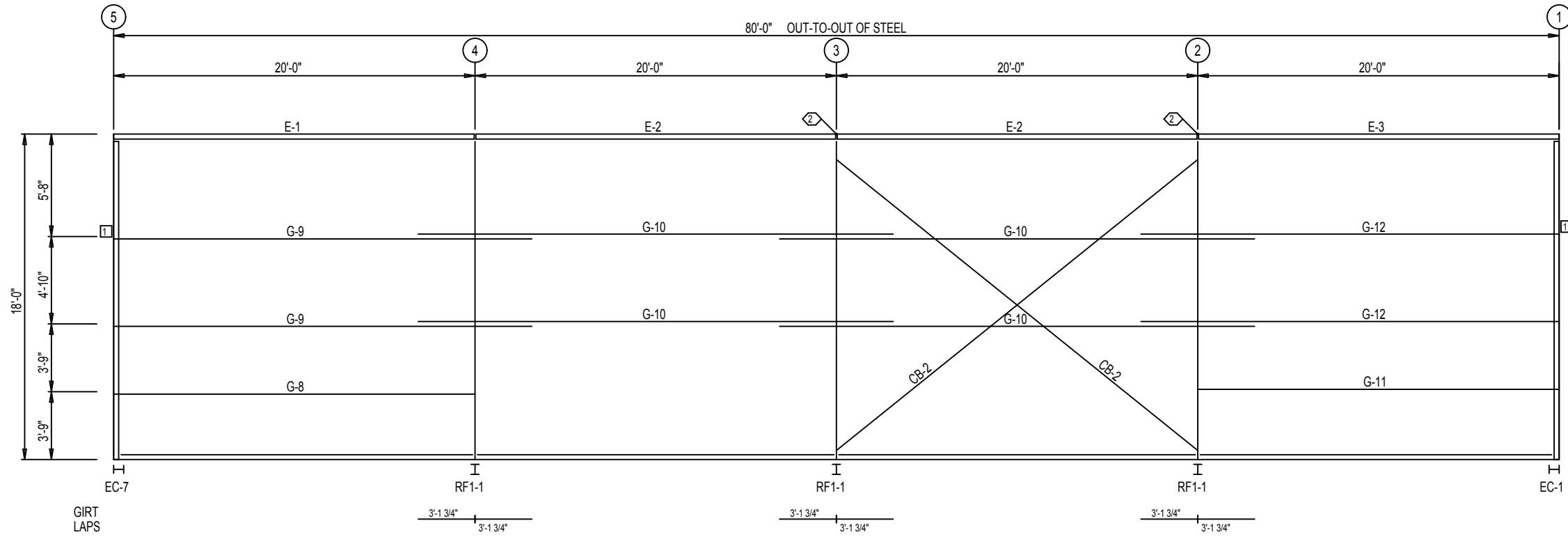
SIDEWALL SHEETING & TRIM: FRAME LINE A

PANELS: 26 Gauge PBR - Desert Sand

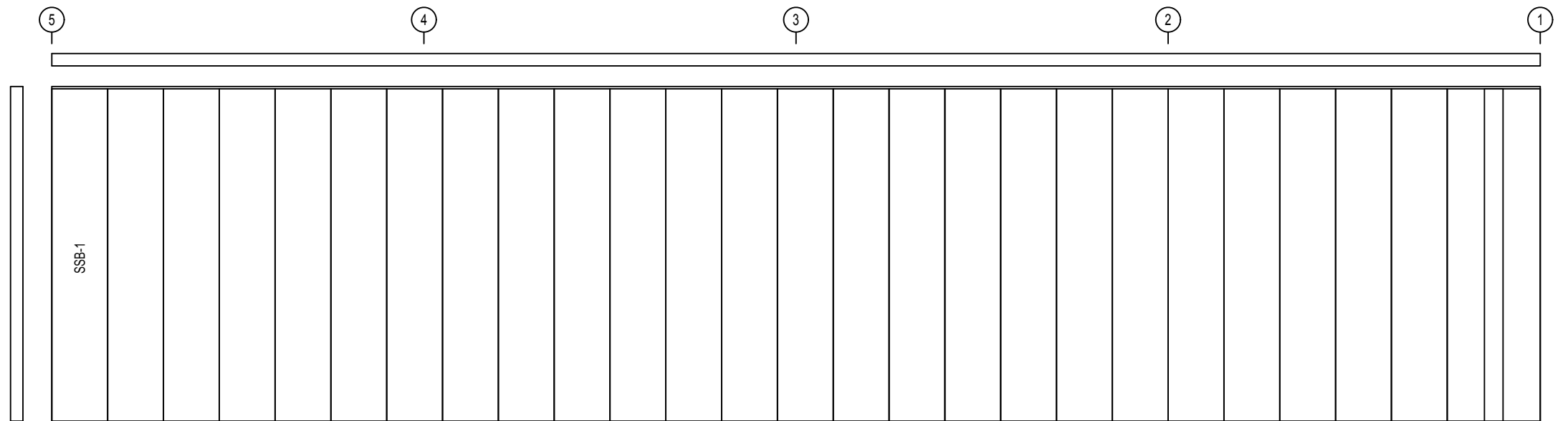
NOT FOR CONSTRUCTION

SPECIAL BOLTS					
ID	QUAN	TYPE	DIA	LENGTH	WASH
2	2	A325	1/2"	1 1/4"	2

CONNECTION PLATES	
FRAME LINE D	
ID	MARK/PART
1	SC-5



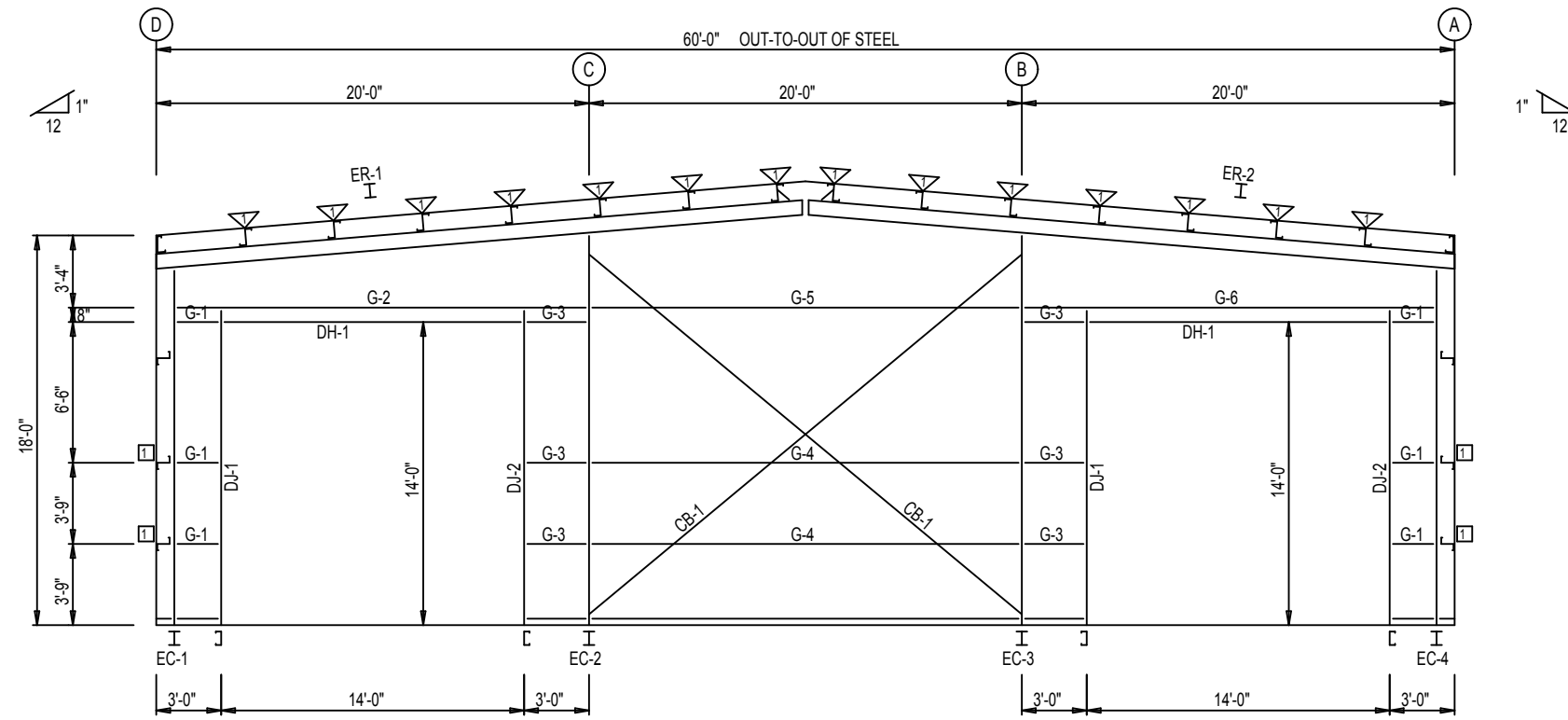
SIDEWALL FRAMING: FRAME LINE D



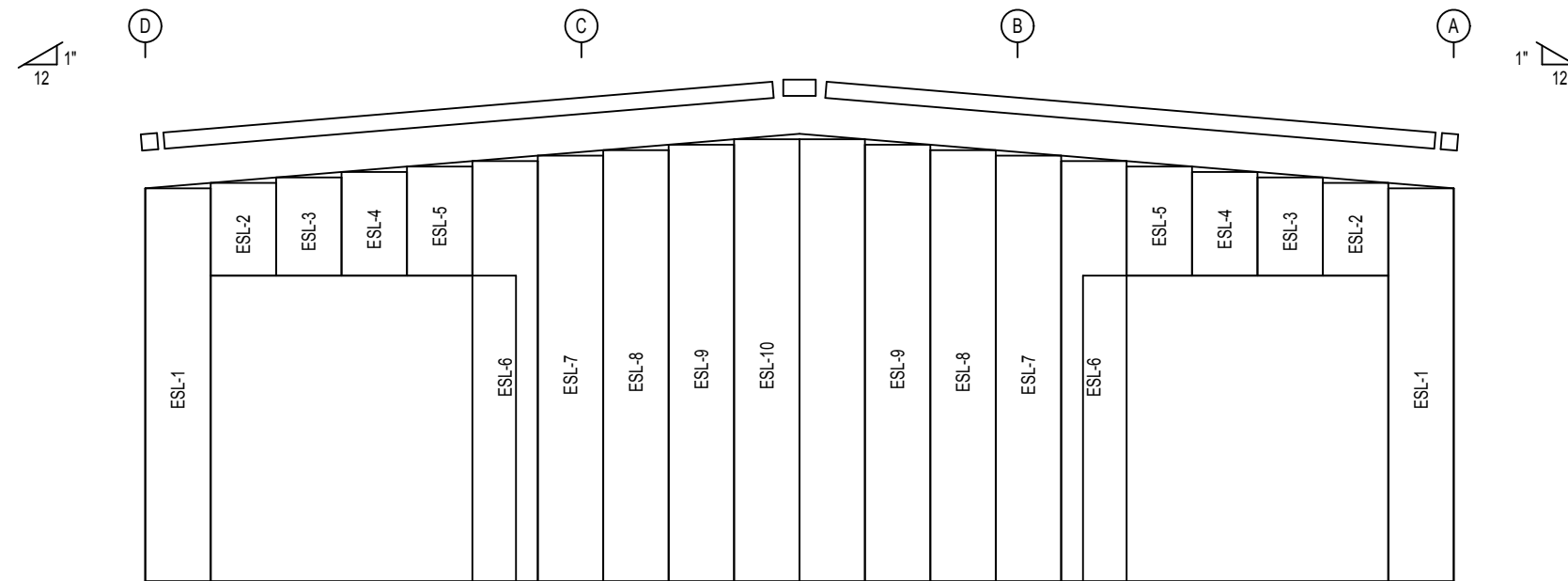
SIDEWALL SHEETING & TRIM: FRAME LINE D

PANELS: 26 Gauge PBR - Desert Sand

NOT FOR CONSTRUCTION



ENDWALL FRAMING: FRAME LINE 1



ENDWALL SHEETING & TRIM: FRAME LINE 1

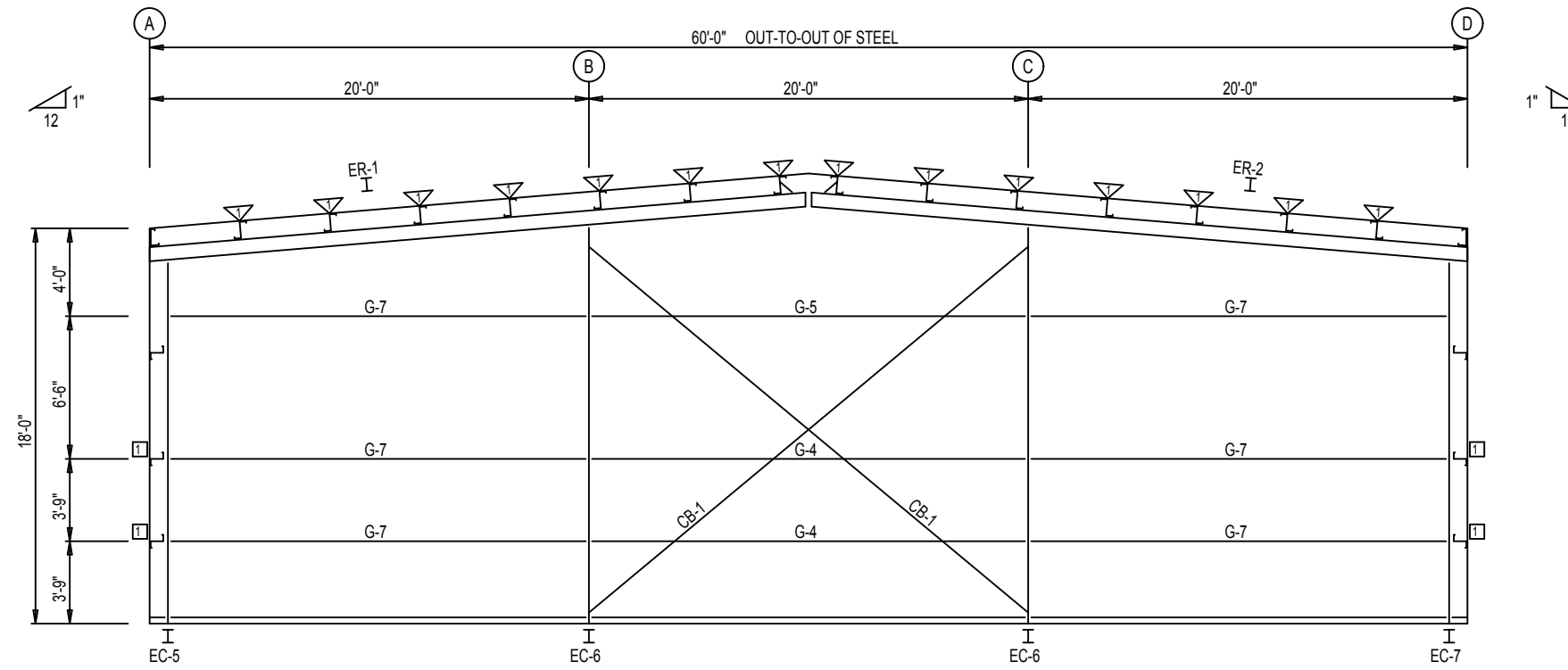
PANELS: 26 Gauge PBR - Desert Sand

BOLT TABLE				
FRAME LINE 1				
LOCATION	QUAN	TYPE	DIA	LENGTH
ER-1/ER-2	8	A325	5/8"	1 3/4"
Columns/Raf	4	A325	1/2"	1 1/4"

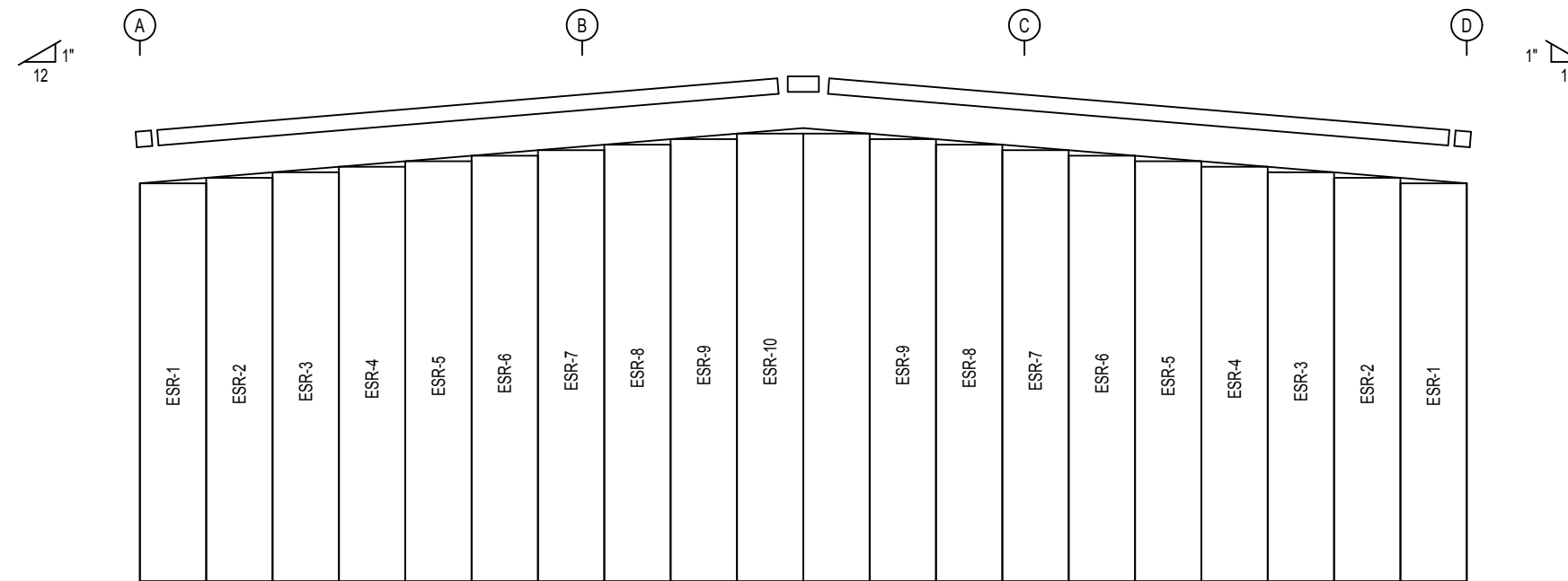
FLANGE BRACE TABLE		
FRAME LINE 1		
▽ ID	PART	LENGTH
FB31	L2X2X14G	2'-7"

CONNECTION PLATES	
FRAME LINE 1	
□ ID	MARK/PART
1	SC-5

NOT FOR CONSTRUCTION



ENDWALL FRAMING: FRAME LINE 5



ENDWALL SHEETING & TRIM: FRAME LINE 5

PANELS: 26 Gauge PBR - Desert Sand

BOLT TABLE				
FRAME LINE 5				
LOCATION	QUAN	TYPE	DIA	LENGTH
ER-1/ER-2	8	A325	5/8"	1 3/4"
Columns/Raf	4	A325	1/2"	1 1/4"

FLANGE BRACE TABLE		
FRAME LINE 5		
▽ ID	PART	LENGTH
FB31	L2X2X14G	2'-7"

CONNECTION PLATES	
FRAME LINE 5	
□ ID	MARK/PART
1	SC-5

NOT FOR CONSTRUCTION