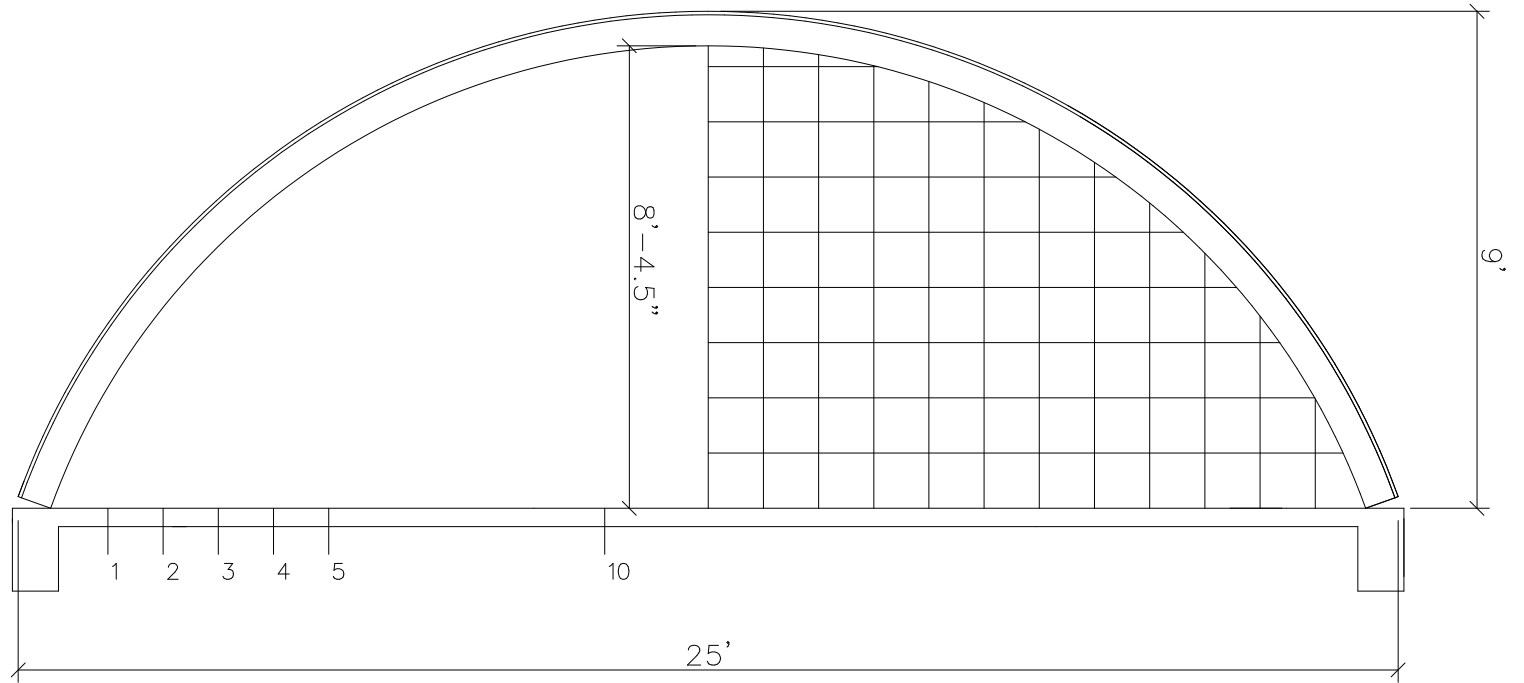
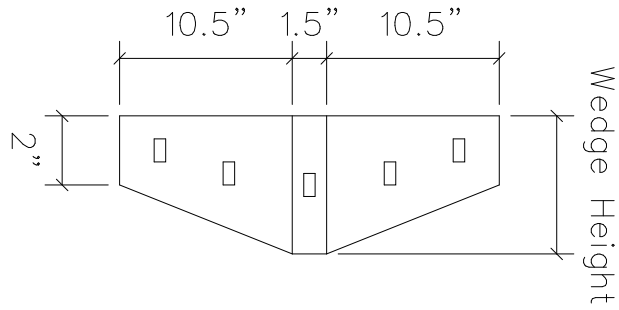
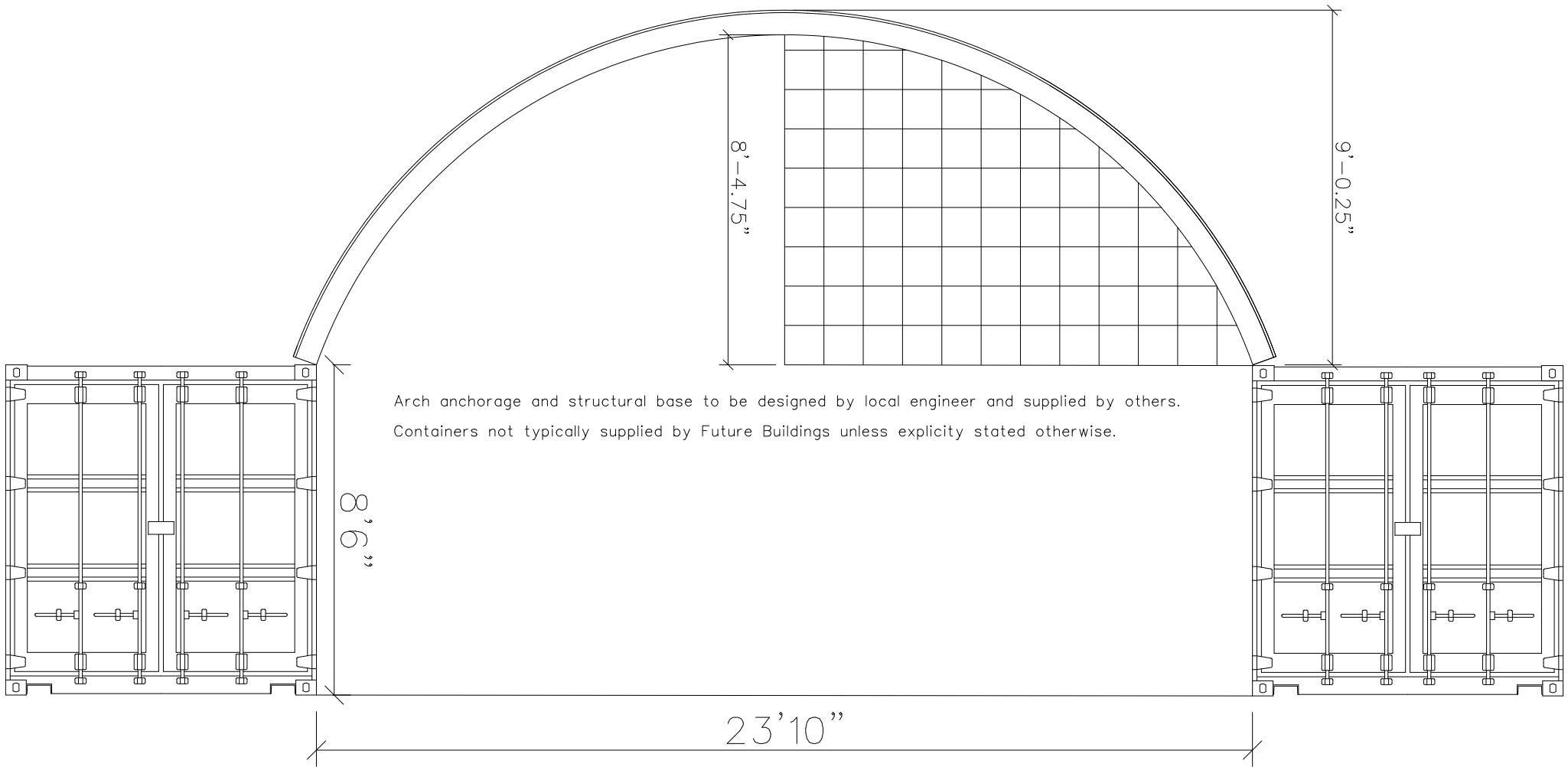


Horizontal Distance	Inside Clearance
1'	2'-2.5"
2'	3'-7.5"
3'	4'-9"
4'	5'-7.5"
5'	6'-4"
10'	8'-3"







BUILD YOUR OWN ENDWALL OPTION

**OUR ENDWALLS ARE NOT LOAD
BEARING.**

**THAT MEANS YOU HAVE THE OPTION
OF USING YOUR OWN LOCALLY
SOURCED MATERIALS, TO BUILD AND
FINISH THE ENDWALLS ANY WAY YOU
LIKE!**

THE POSSIBILITIES ARE ENDLESS!

**CALL US TODAY
800.668.5111
FUTUREBUILDINGS.COM**

