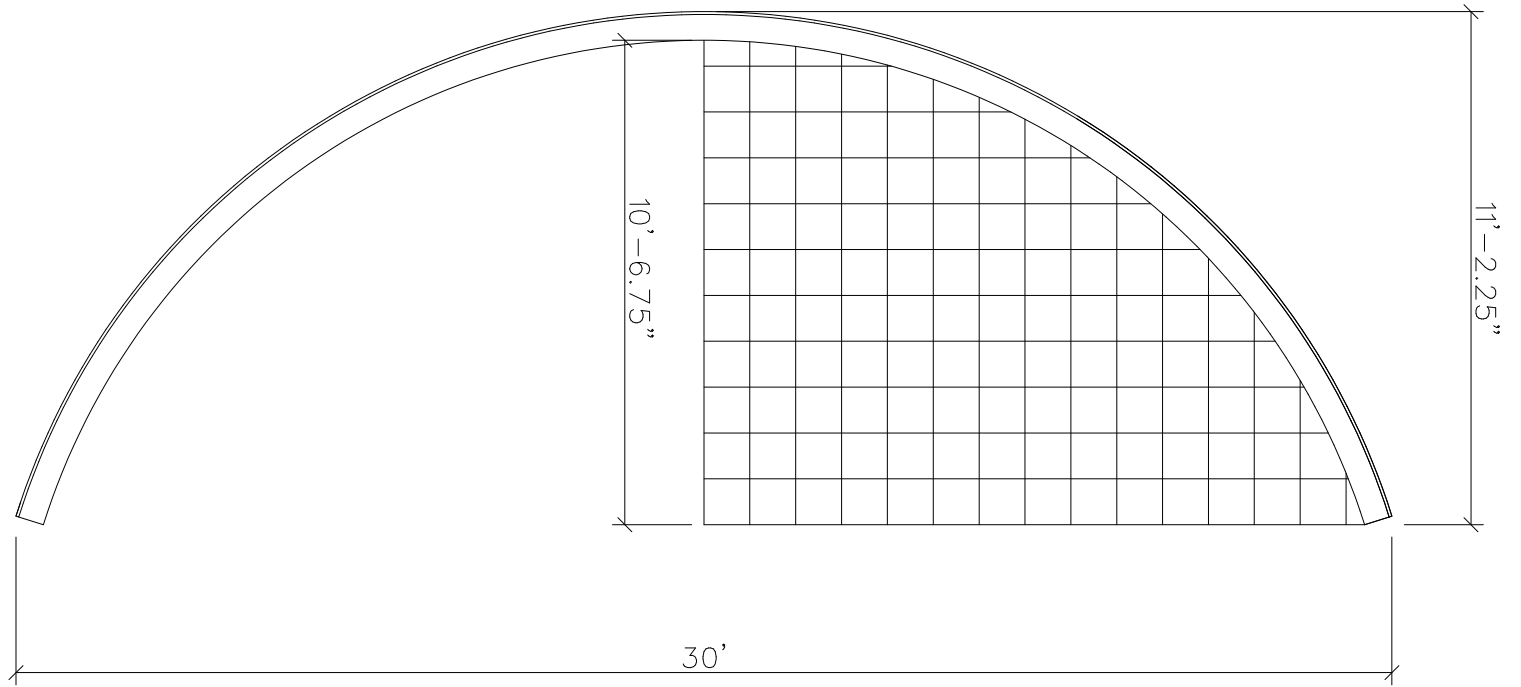
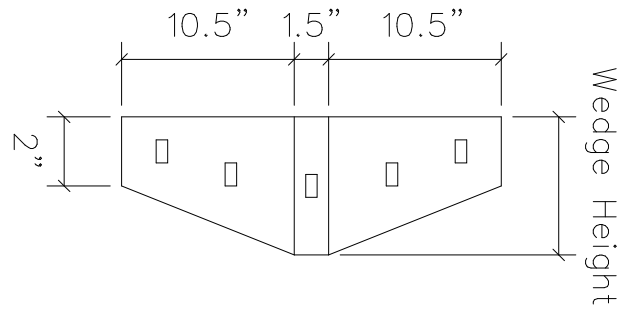


NOTE: THIS DRAWING IS PRELIMINARY. PLEASE REFER TO THE CERTIFIED BLUEPRINT FOR FINAL DIMENSIONS.

Horizontal Distance	Inside Clearance
1'	2'-5.5"
2'	4'-1.5"
3'	5'-4.5"
4'	6'-5"
5'	7'-3.5"
10'	9'-11"



Standard 120" panels: 4	1 short panel: 36.75	bolts/arch: 130	Date: 2023-03-13
Endwall area, sq.ft: 242.11	Volume/ft, cu.ft: 238	Surface area/arch, sq.ft: 100.18	Total arch length: 477.67