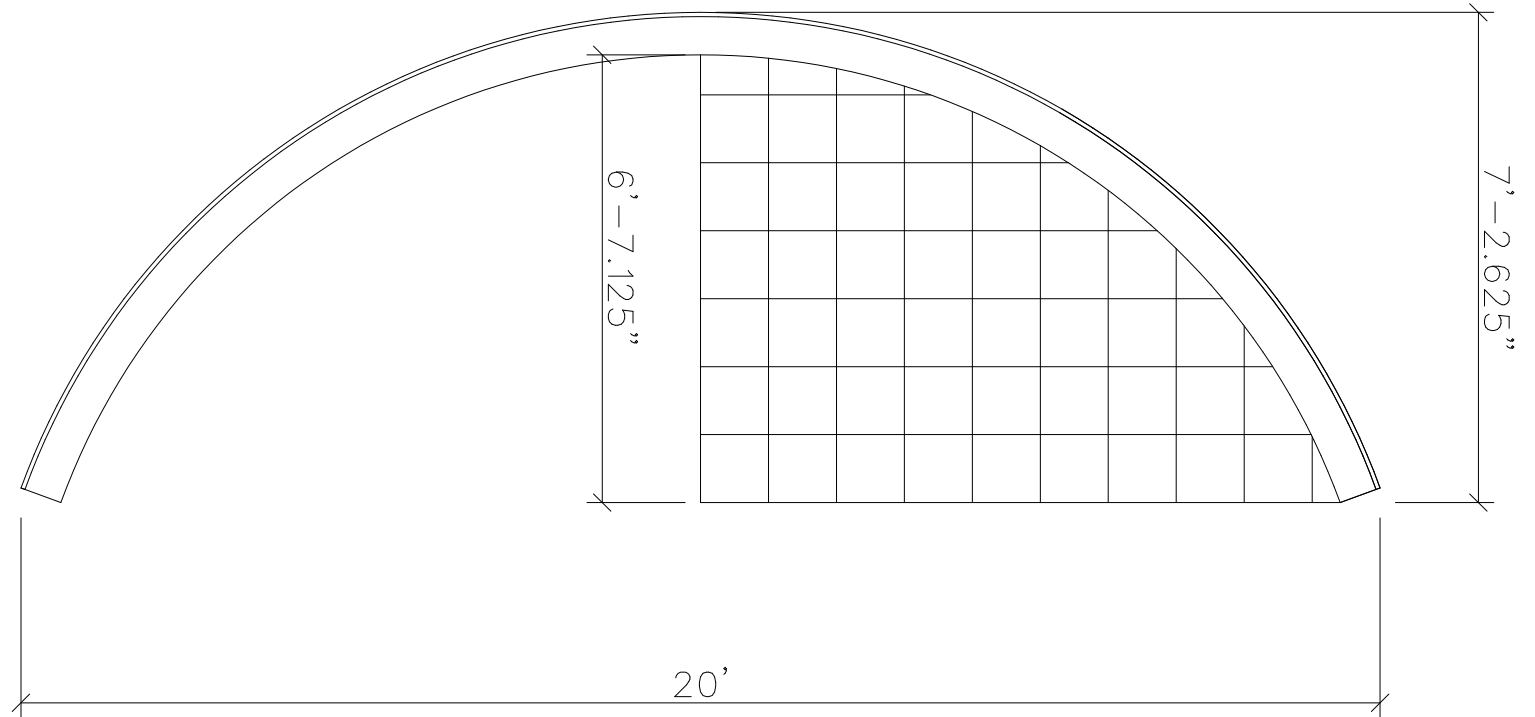
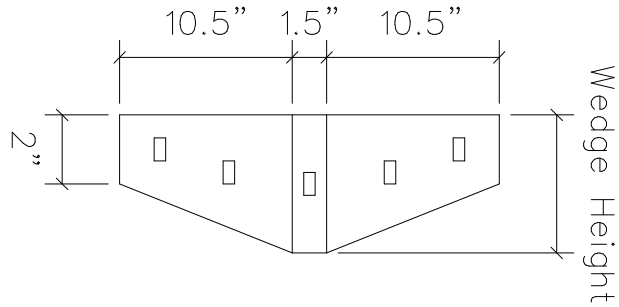


NOTE: THIS DRAWING IS PRELIMINARY. PLEASE REFER TO THE CERTIFIED BLUEPRINT FOR FINAL DIMENSIONS.

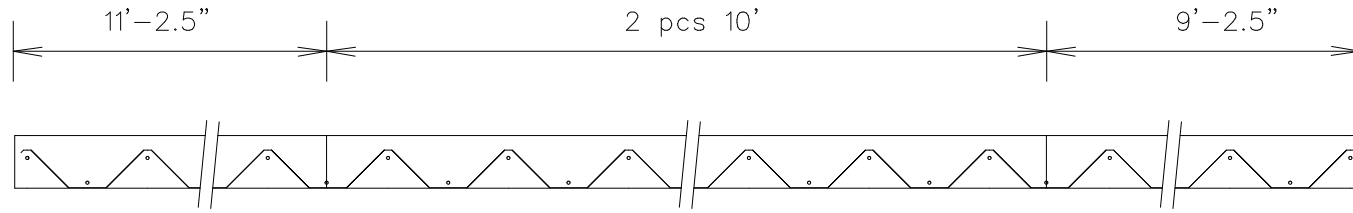
Horizontal Distance	Inside Clearance
1'	2'-1"
2'	3'-4"
3'	4'-3.5"
4'	5'-0.5"
5'	5'-7"



Standard 120" panels: 2	1 short panel: 92.25	bolts/arch: 82	Date: 2023-11-06
Endwall area, sq.ft: 101.93	Volume/ft, cu.ft: 99.30	Surface area/arch, sq.ft: 65.43	Total arch length: 311.99

NOTE: THIS DRAWING IS PRELIMINARY. PLEASE REFER TO THE CERTIFIED BLUEPRINT FOR FINAL DIMENSIONS.

2023-11-06

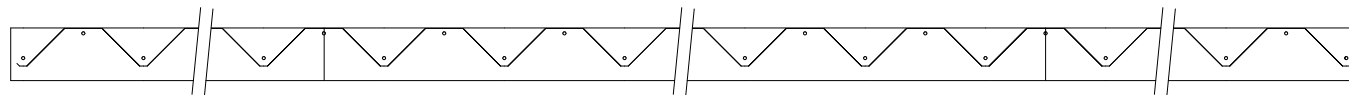


Structural base to be designed by local engineer and supplied by others

— C —

— C —

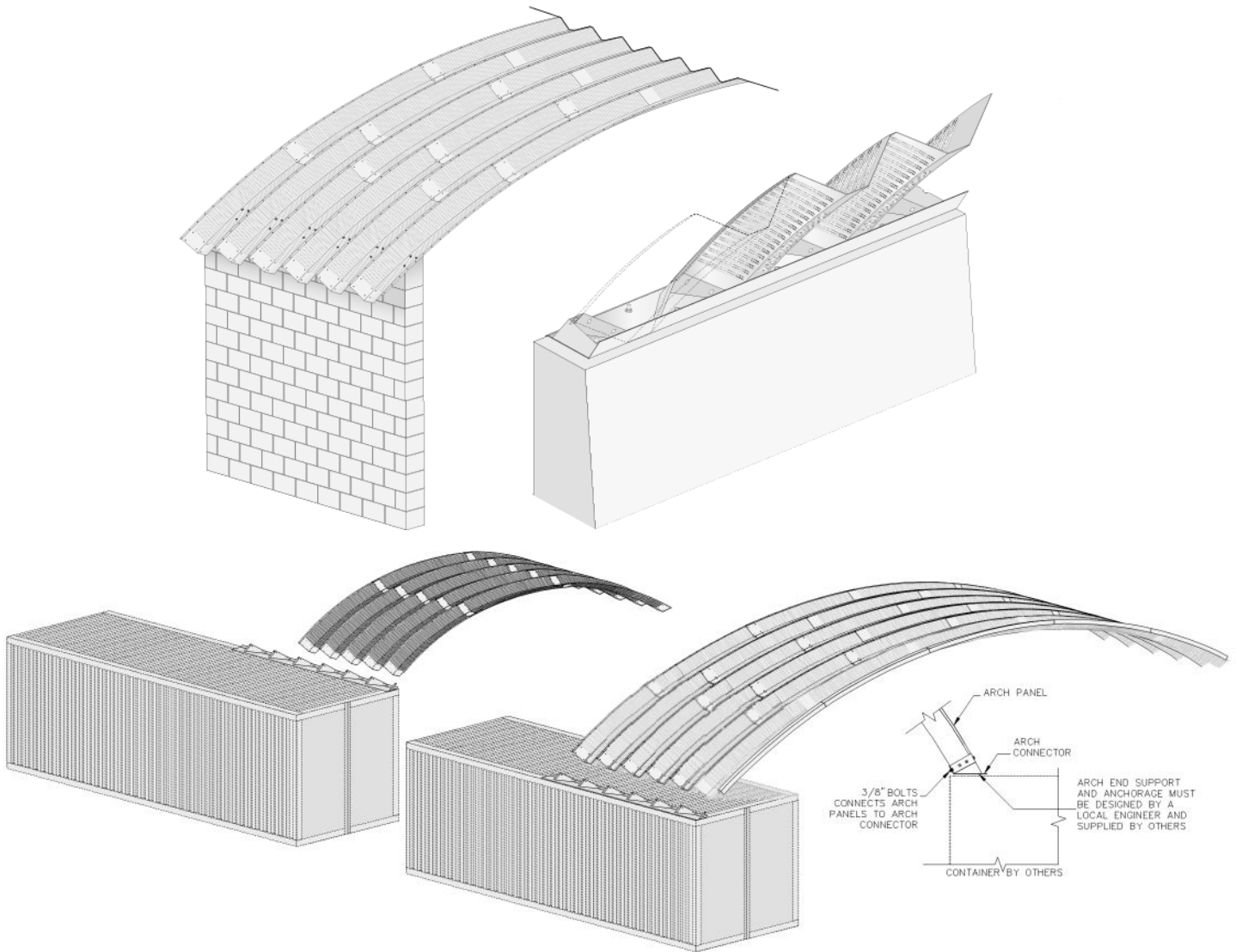
WIDTH OF FOUNDATION
20'-2.5"



LENGTH OF FOUNDATION

40'-5.5"

FIGURE 27: ROOF SYSTEMS/CONTAINER COVERS



Begin construction by installing the foundation and your concrete walls, containers or structural steel framework in accordance with our blueprint and your engineer's design. If you are using structural steel beams and columns, we strongly recommend that they are braced prior to and during the erection of your steel arches to prevent them from shifting or falling during construction. The framework must be securely installed and tightened prior to beginning erection of the arches.

The next step is securing our arch connector to the walls, containers or framework. We offer two types of connector for this purpose: one for situations where the arch will end on the beam or wall; and one for situations where the arch will overhang the beam or wall (Bent Plate Connectors). Follow our blueprint and your engineer's design in anchoring the base connectors or bent plate connector to the wall, container, or beams as the case may be. This is typically either done with anchor bolts, lag bolts or welds. Ensure these connectors are properly caulked using a sealant that is for exterior use, suitable for our steel and the material of your support structure and is slow-drying to avoid leaks.

The remainder of installation of the roof system is the same as it would be for installing any of our standard buildings. The only difference is you will be securing the arch to the connector on the beam, container or wall as opposed to a foundation. All instructions regarding arch assembly, overlap, bracing, strapping, end walls, accessories, etc. are, however, applicable and should be observed.

⚠ CAUTION: Ensure that our or your engineer's structural steel, or your engineer's wall or container design is implemented fully and correctly, including the connection of our products to the same. We are not responsible for any other engineer's design nor any issues that may result from any failure to follow our own.

Ensure that the steel framework, containers or concrete walls are structurally sound and suitable before beginning erection of the arches.