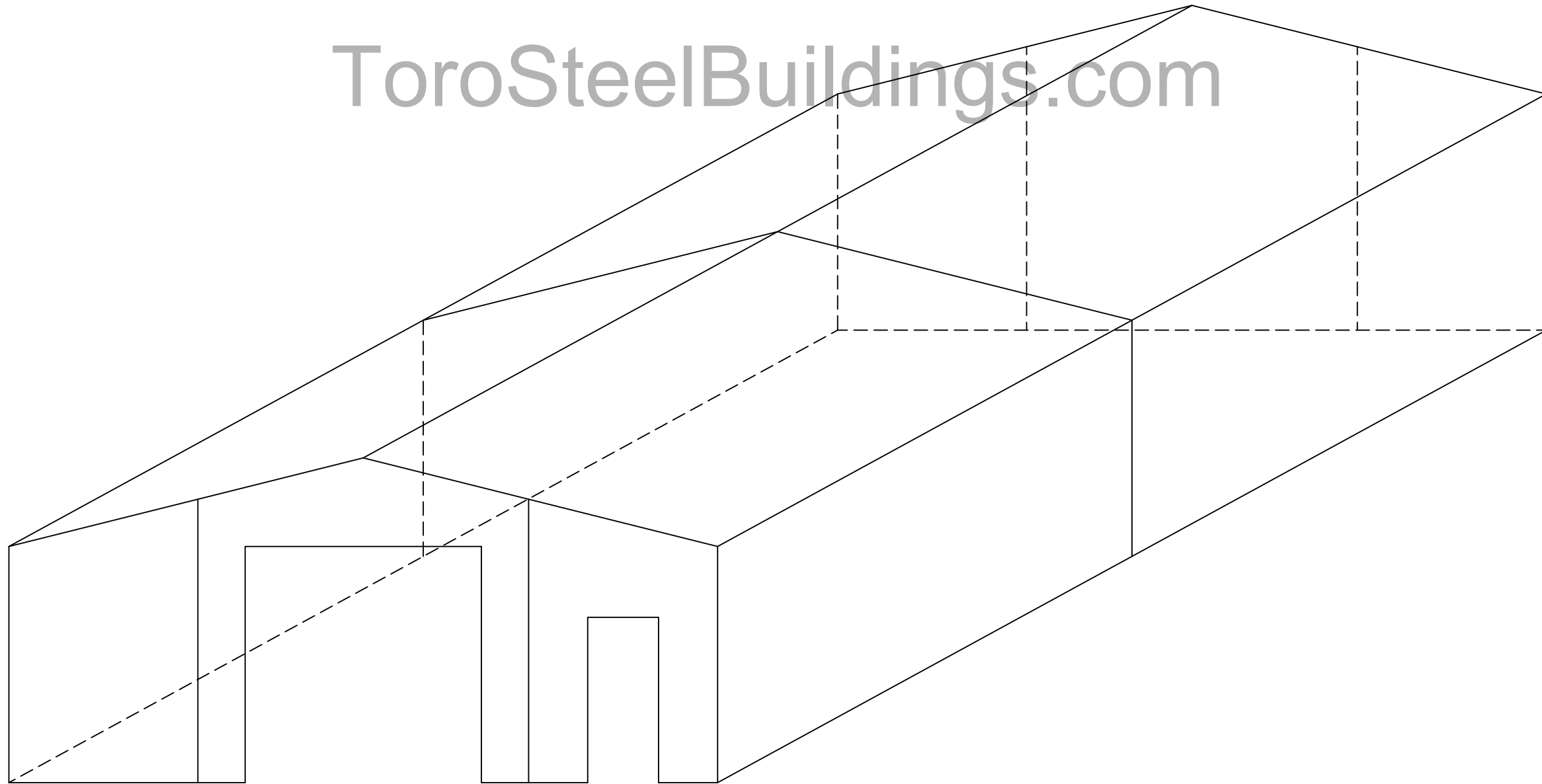


ToroSteelBuildings.com



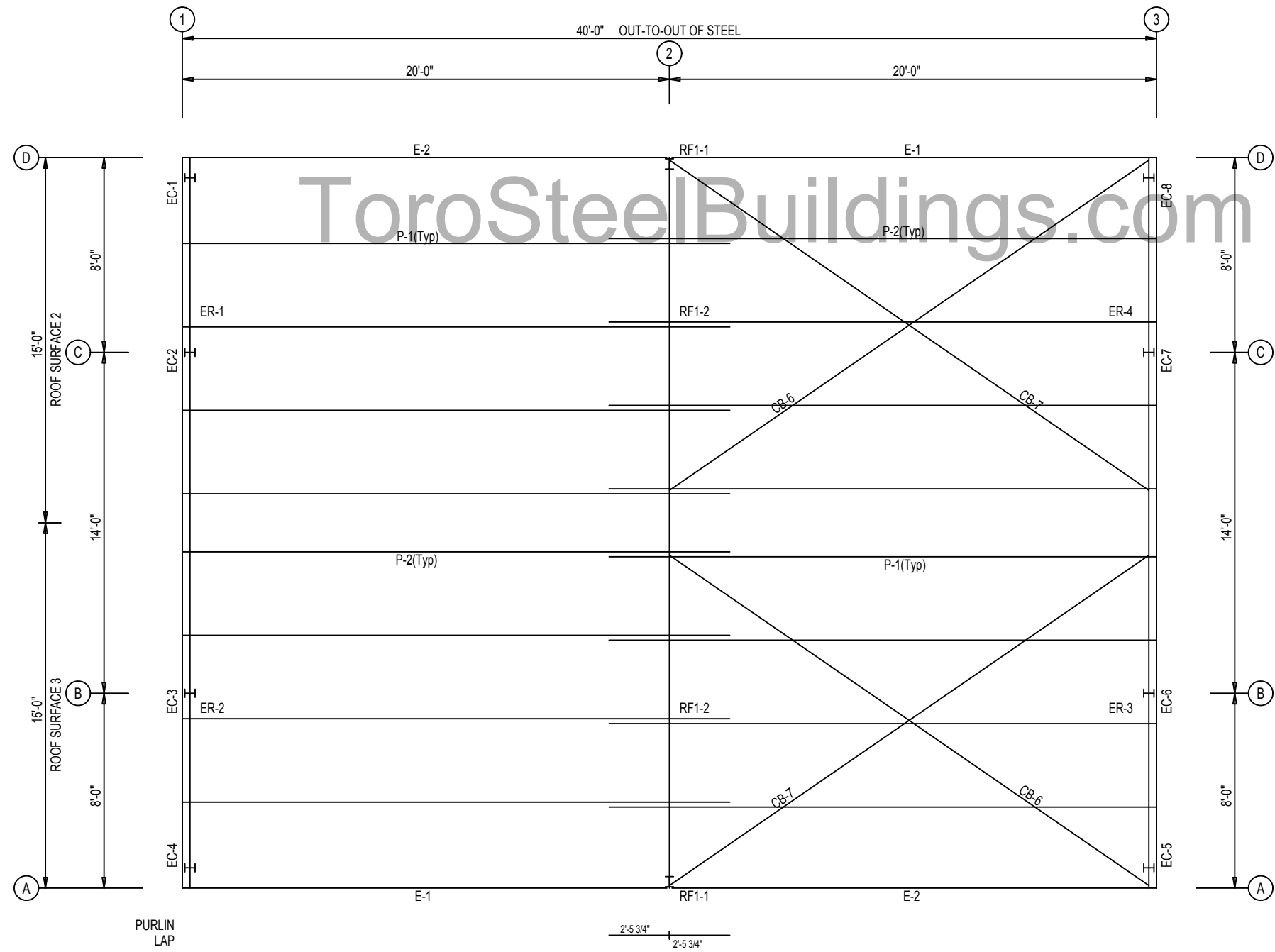
NOT FOR CONSTRUCTION

○ Dia= 5/8"

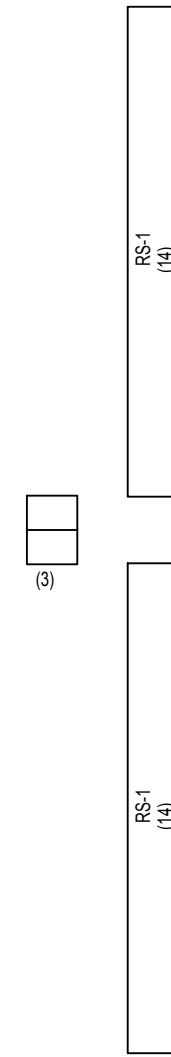
⊗ Dia= 3/4"



NOT FOR CONSTRUCTION

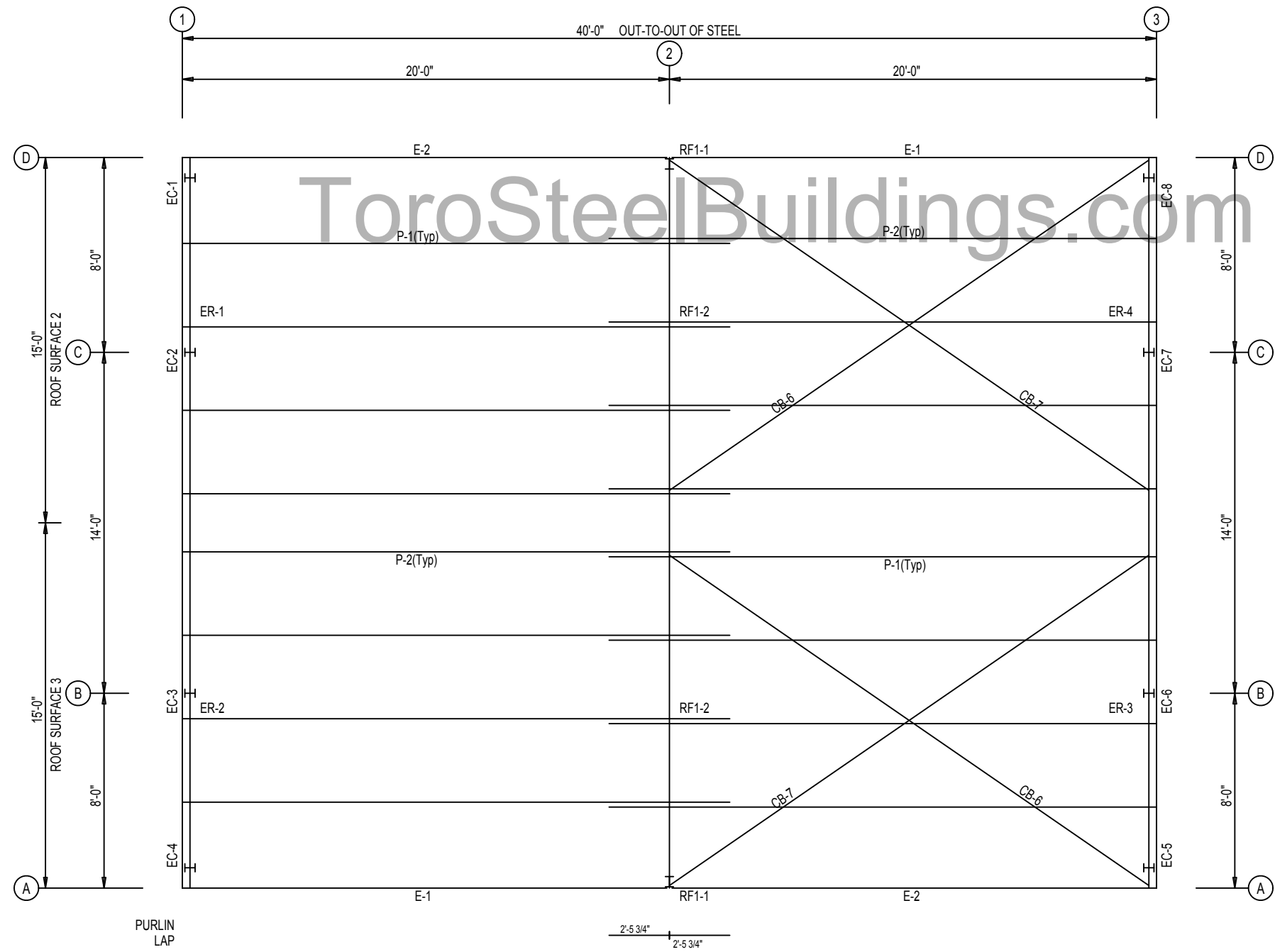


ROOF FRAMING PLAN

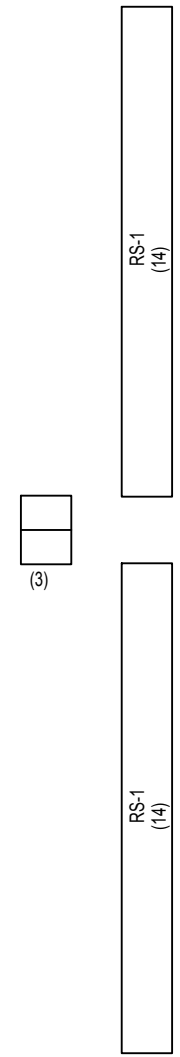


ROOF SHEETING
 PANELS: 26 Gauge PBR Galvalume

NOT FOR CONSTRUCTION



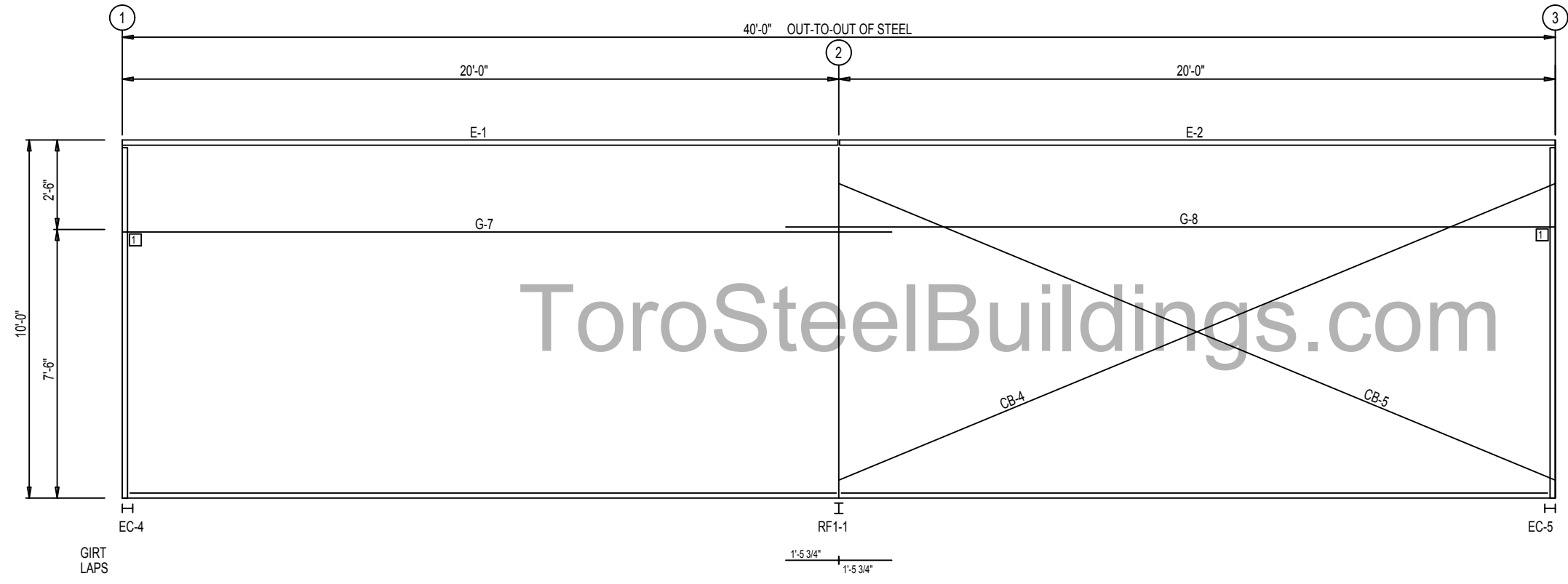
ROOF FRAMING PLAN



ROOF SHEETING
 PANELS: 26 Gauge PBR Galvalume

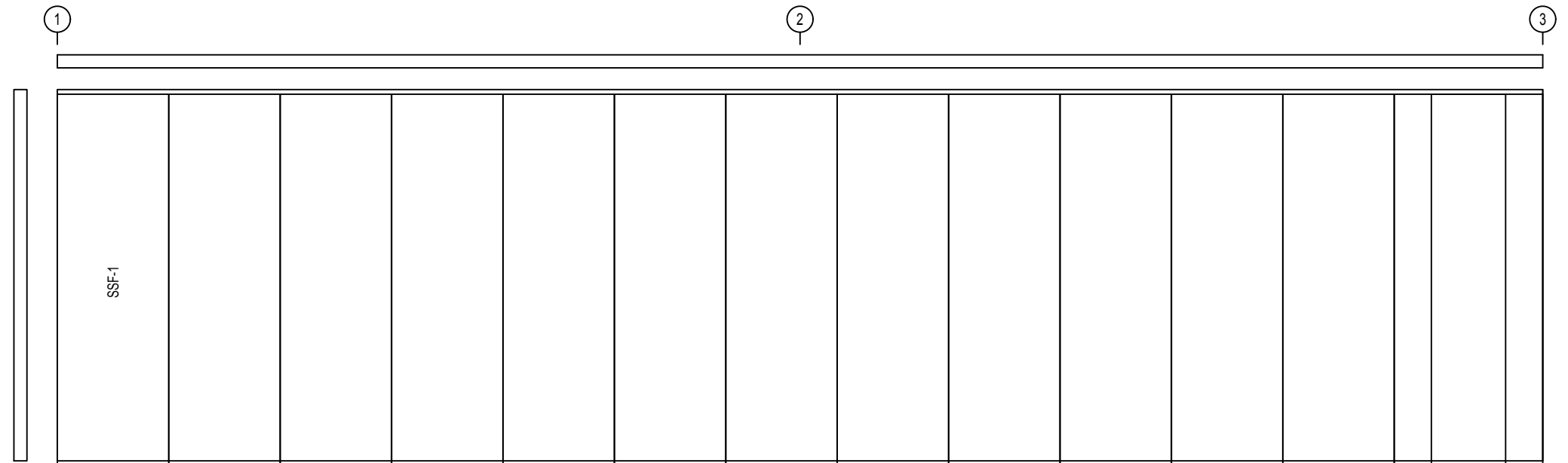
NOT FOR CONSTRUCTION

CONNECTION PLATES	
FRAME LINE A	
ID	MARK/PART
1	PC78



ToroSteelBuildings.com

SIDEWALL FRAMING: FRAME LINE A

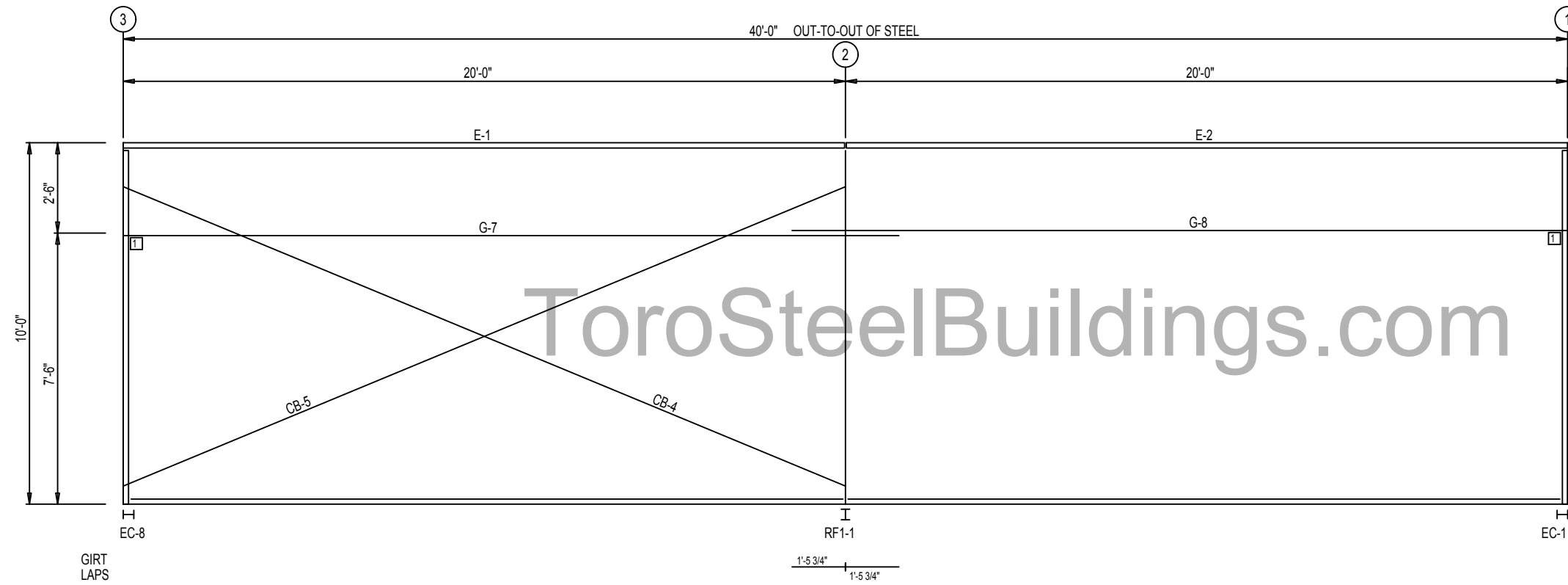


SIDEWALL SHEETING & TRIM: FRAME LINE A

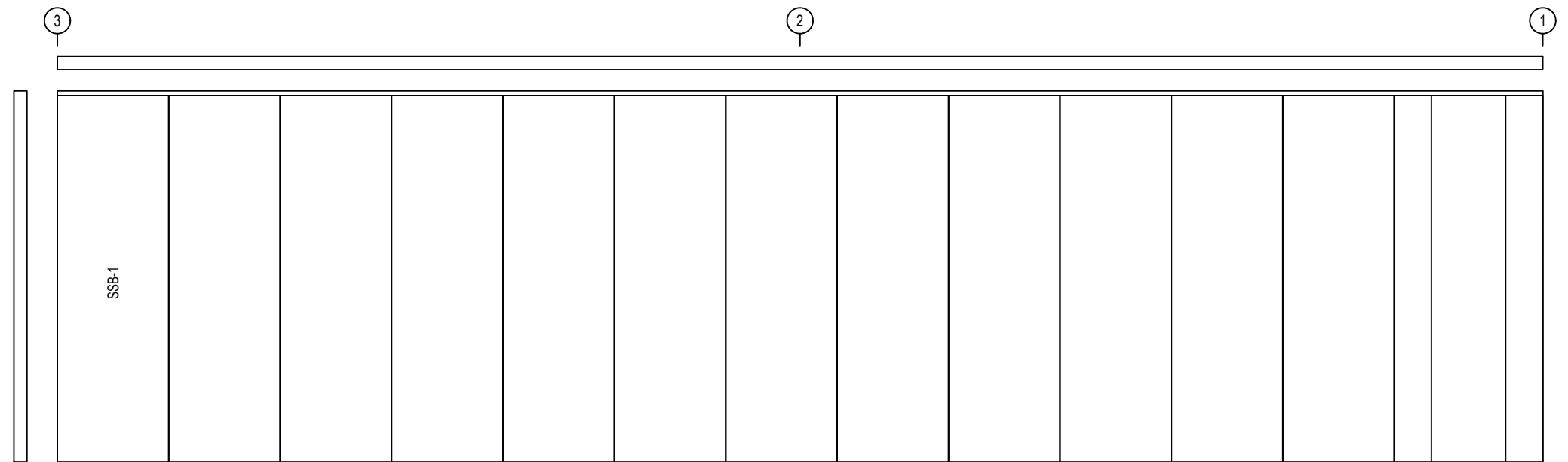
PANELS: 26 Gauge PBR - Polar White

NOT FOR CONSTRUCTION

CONNECTION PLATES	
FRAME LINE D	
ID	MARK/PART
1	PC78



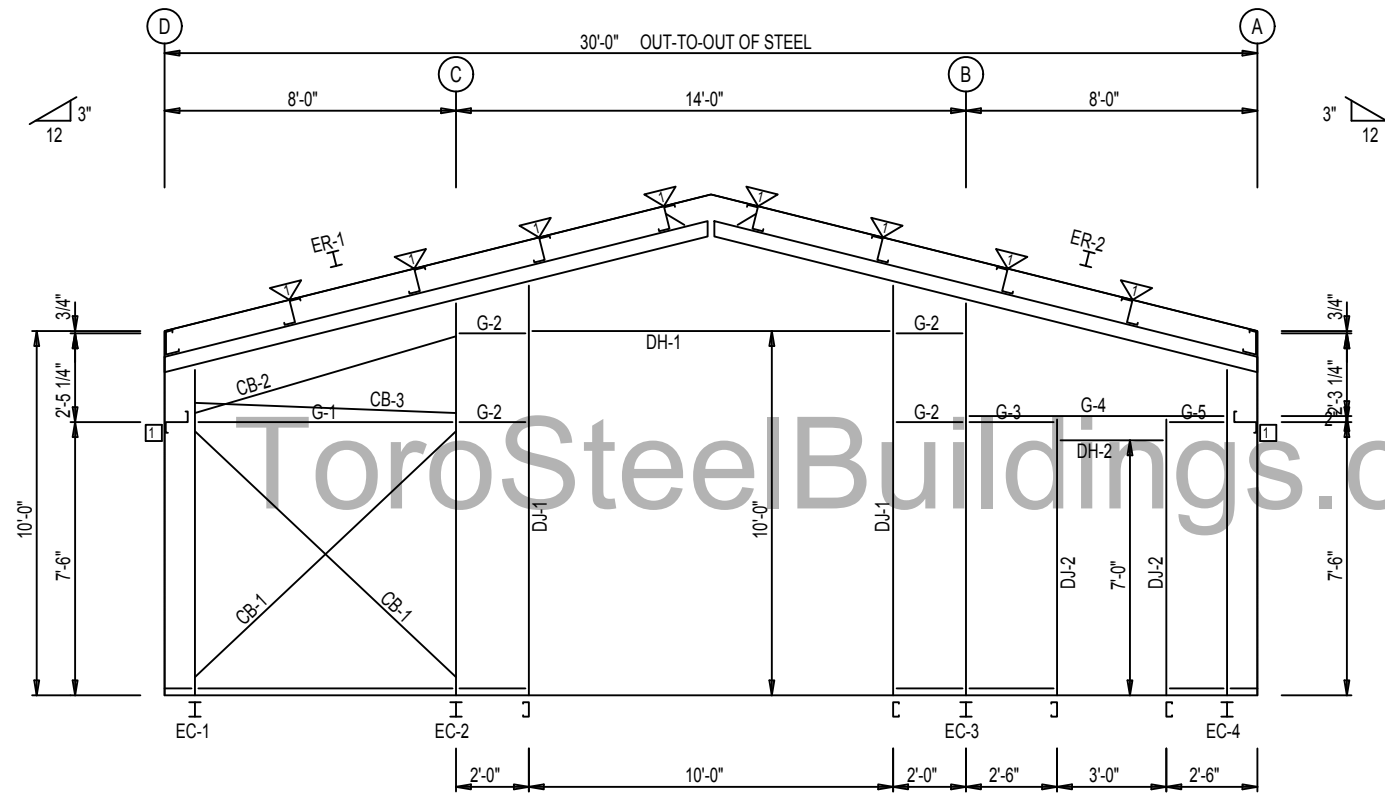
SIDEWALL FRAMING: FRAME LINE D



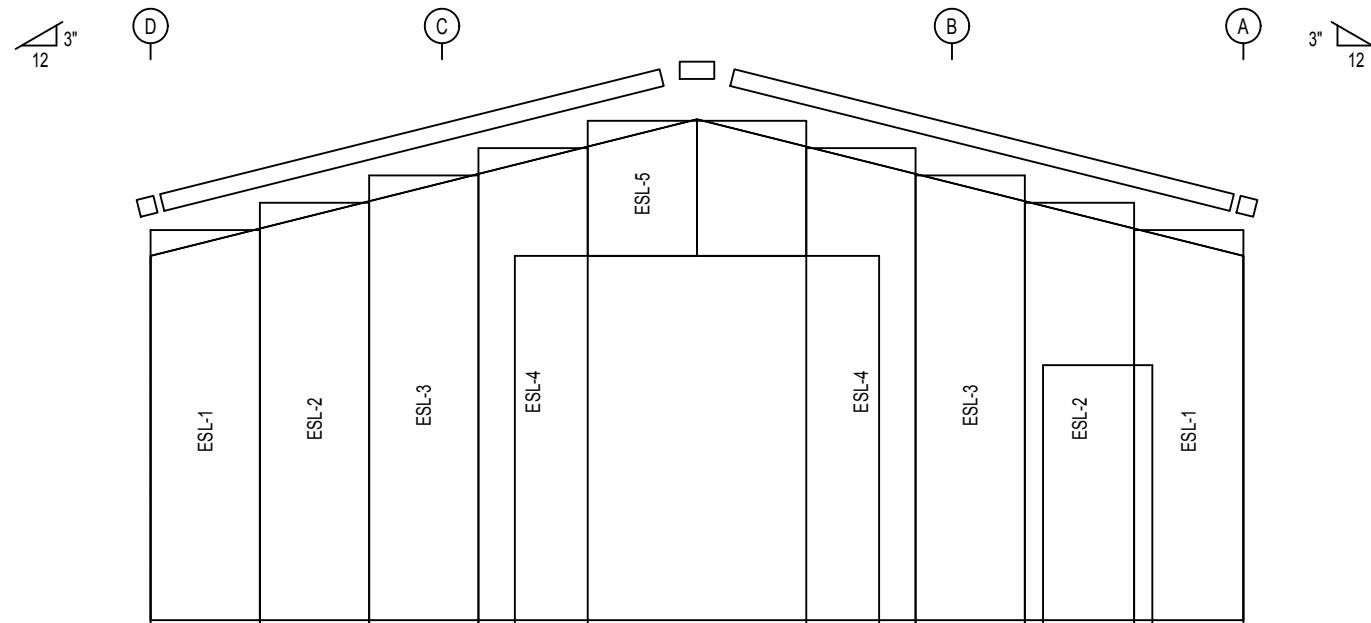
SIDEWALL SHEETING & TRIM: FRAME LINE D

PANELS: 26 Gauge PBR - Polar White

NOT FOR CONSTRUCTION



ENDWALL FRAMING: FRAME LINE 1



ENDWALL SHEETING & TRIM: FRAME LINE 1

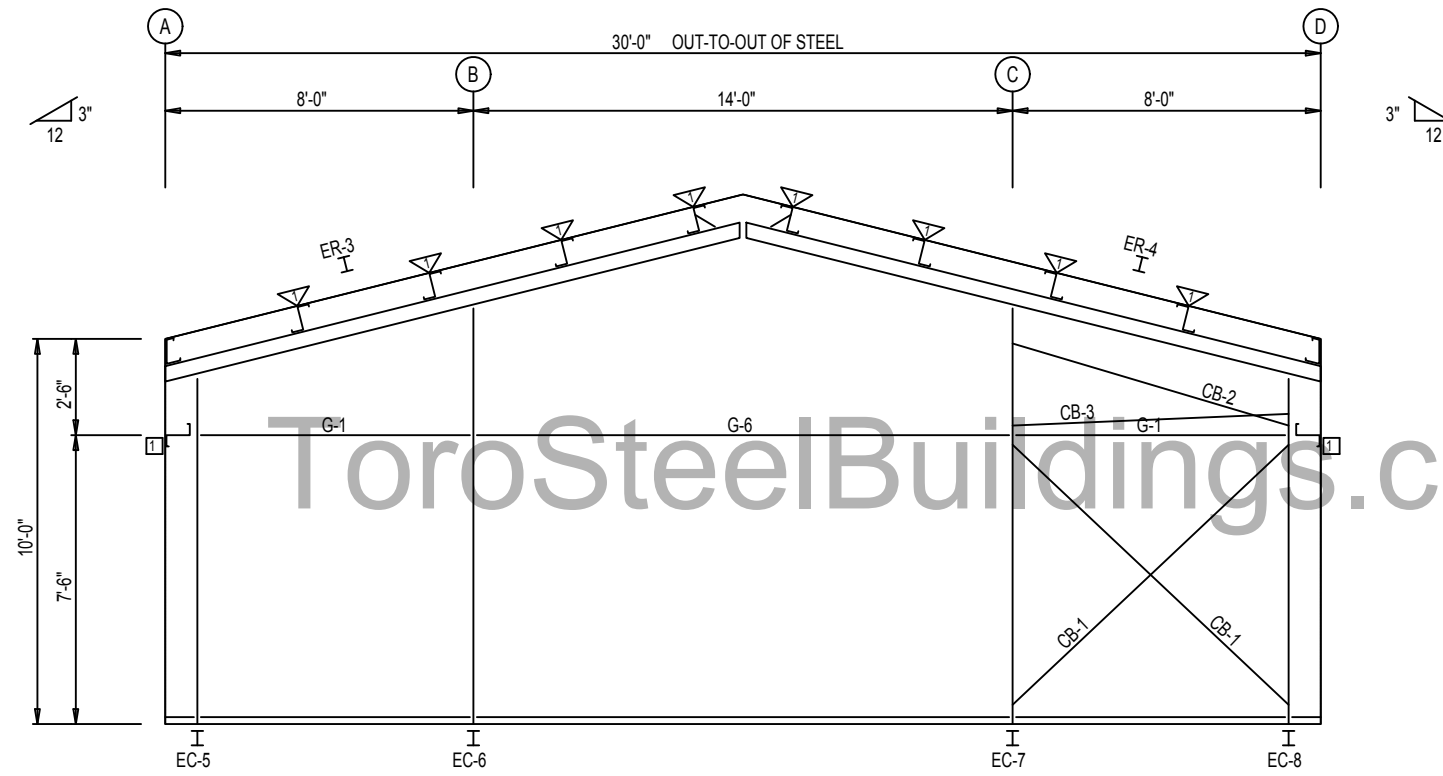
PANELS: 26 Gauge PBR - Polar White

BOLT TABLE				
FRAME LINE 1				
LOCATION	QUAN	TYPE	DIA	LENGTH
ER-1/ER-2	8	A325	5/8"	1 3/4"
Columns/Raf	4	A325	1/2"	1 1/4"
Jamb	2	A325	1/2"	1 1/4"

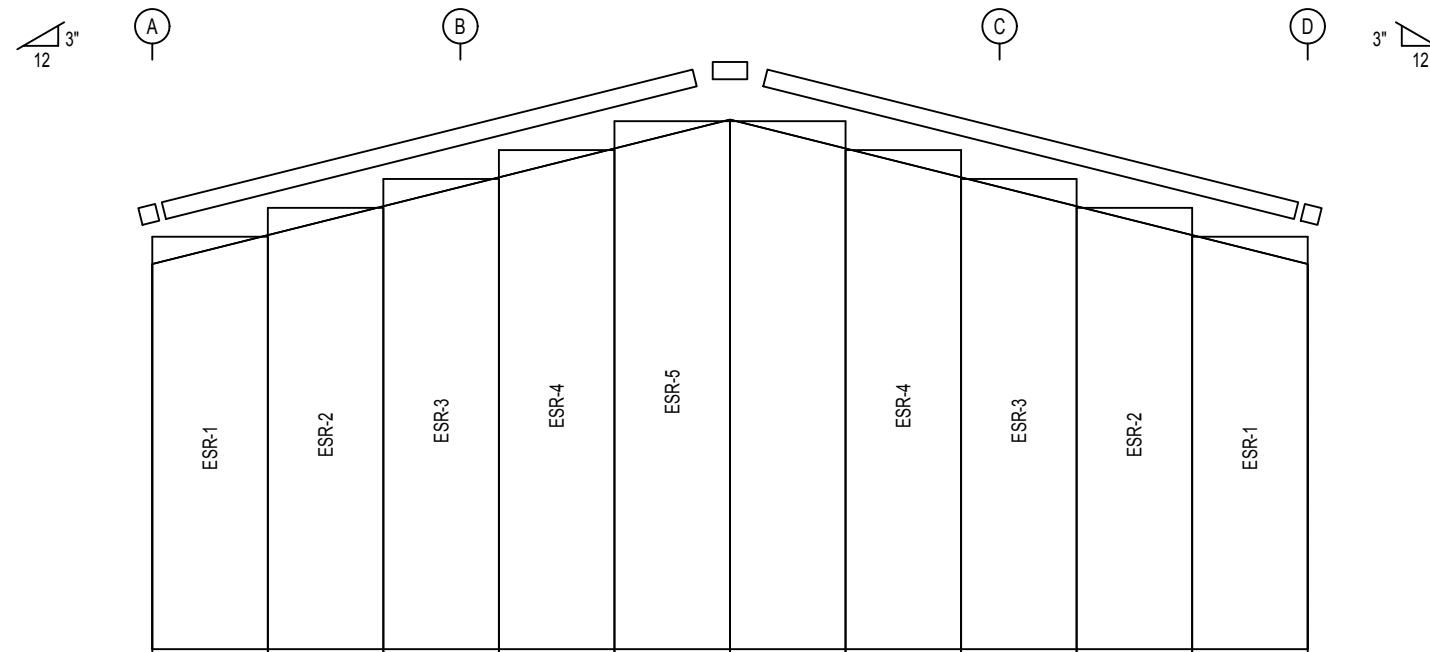
FLANGE BRACE TABLE		
FRAME LINE 1		
▽ ID	PART	LENGTH
FB29.3	L2X2X14G	2'-5 1/4"

CONNECTION PLATES	
FRAME LINE 1	
□ ID	MARK/PART
1	PC78

NOT FOR CONSTRUCTION



ENDWALL FRAMING: FRAME LINE 3



ENDWALL SHEETING & TRIM: FRAME LINE 3

PANELS: 26 Gauge PBR - Polar White

BOLT TABLE				
FRAME LINE 3				
LOCATION	QUAN	TYPE	DIA	LENGTH
ER-3/ER-4	8	A325	5/8"	1 3/4"
Columns/Raf	4	A325	1/2"	1 1/4"

FLANGE BRACE TABLE		
FRAME LINE 3		
▽ ID	PART	LENGTH
FB29.3	L2X2X14G	2'-5 1/4"

CONNECTION PLATES	
FRAME LINE 3	
□ ID	MARK/PART
1	PC78

NOT FOR CONSTRUCTION