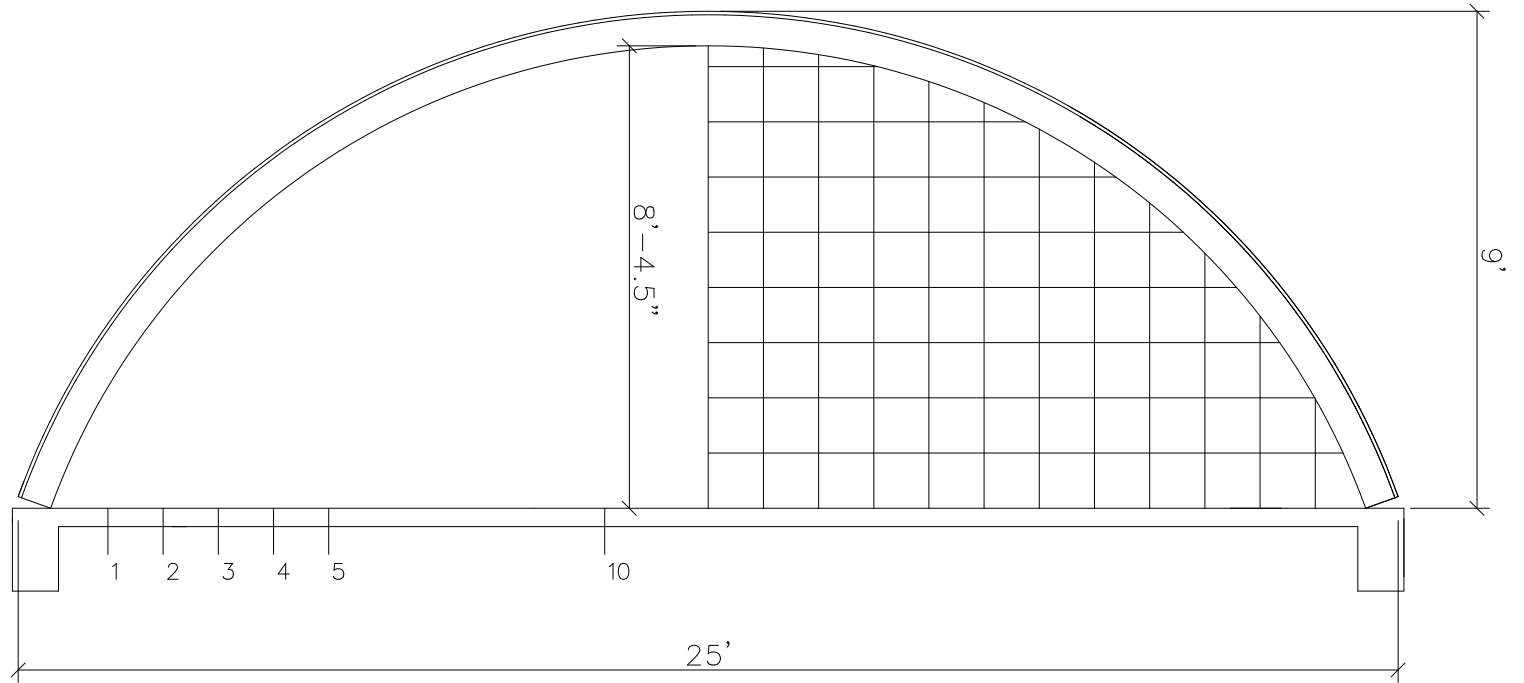
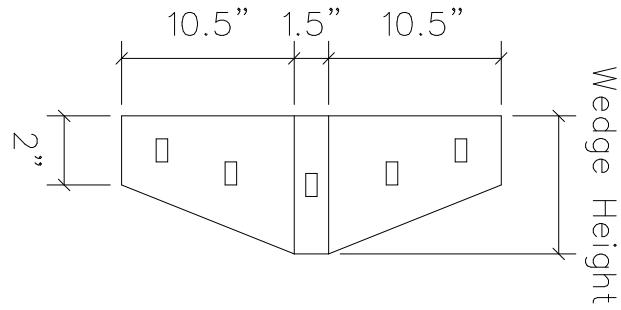


Horizontal Distance	Inside Clearance
1'	2'-2.5"
2'	3'-7.5"
3'	4'-9"
4'	5'-7.5"
5'	6'-4"
10'	8'-3"



Standard 120" panels: 3	1 short panel: 57.56	bolts/arch: 106	Date: 02/12/2019
Endwall area, sq.ft: 160.17	Volume/ft, cu.ft: 156.86	Surface area/arch, sq.ft: 81.96	Total arch length: 390.82
Roof gauge: 10.64	Roof outside radius: 159.38	Sector angle, deg: 140.50	Wedge Height: 4.693